

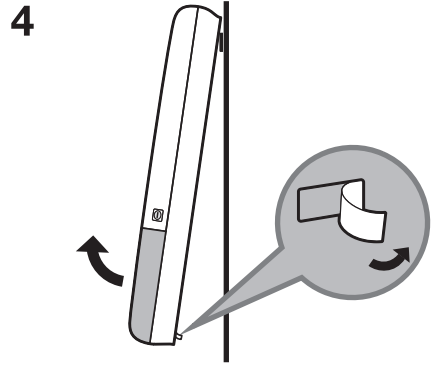
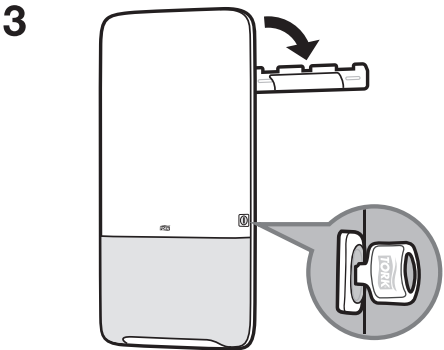
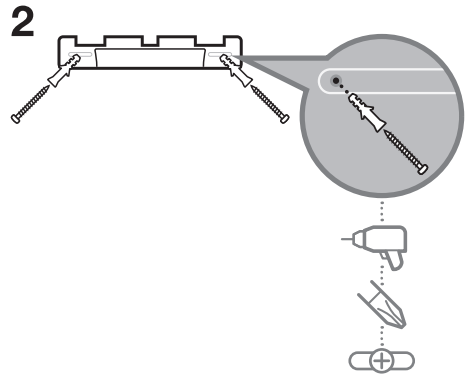
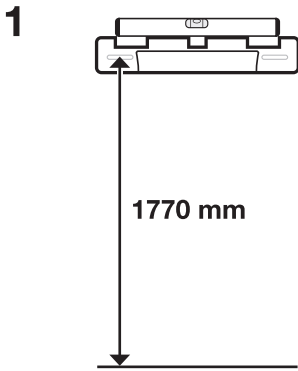
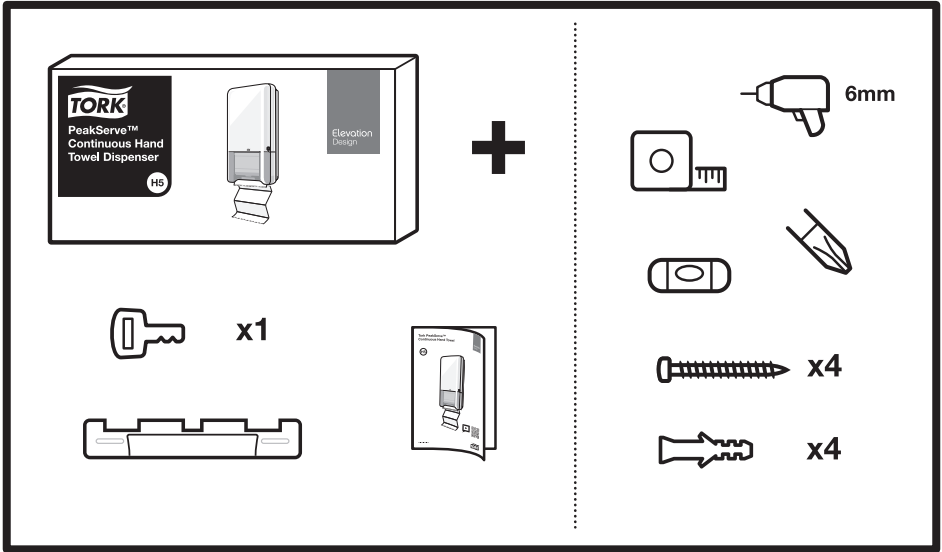
# Tork PeakServe® Continuous Hand Towel Dispenser

Elevation  
Design

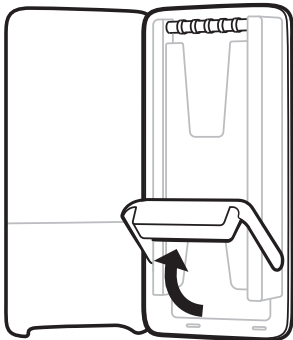
H5



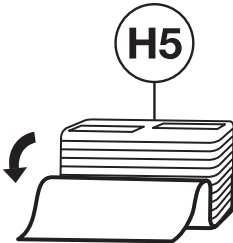
Tork PeakServe® Continuous Hand Towel



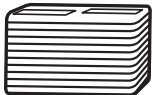
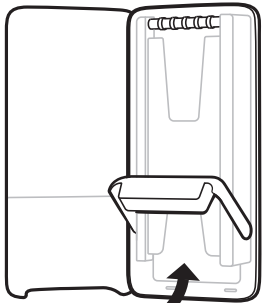
5



6

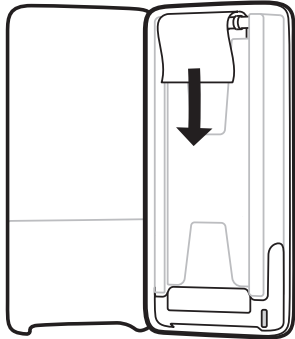


7

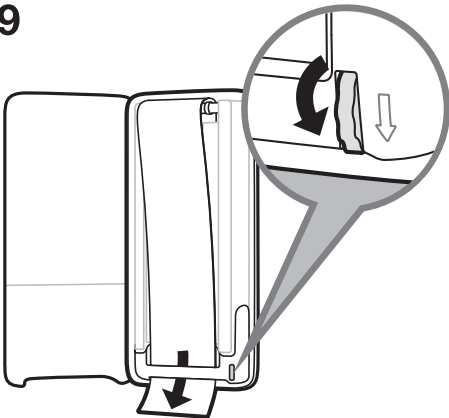


x5

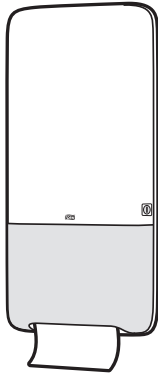
8

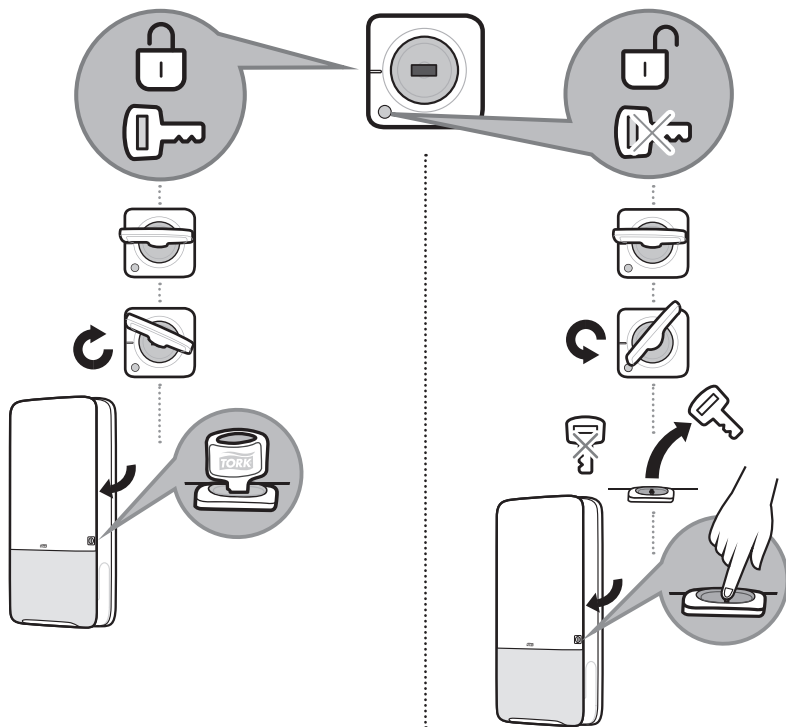


9



10





## Disposal

- Damaged or malfunctioning product should be disposed of immediately to avoid potential of injury
- Products should be disposed of in accordance with applicable regulations

## Cleaning instructions

- Clean dispenser with mild detergent and soft cloth



Manufactured by Essity Hygiene and Health AB  
SE-40503 Göteborg, Sweden

Visiting address: Mölnåls Bro 2, Mölndal

[www.essity.com](http://www.essity.com), [www.torkglobal.com](http://www.torkglobal.com)

Made in Poland

Patents/Brevets/Patentes: [www.essity.com/patents](http://www.essity.com/patents)

Essity UK Limited

Southfields Road, Dunstable,

Bedfordshire, LU6 3EJ, UK