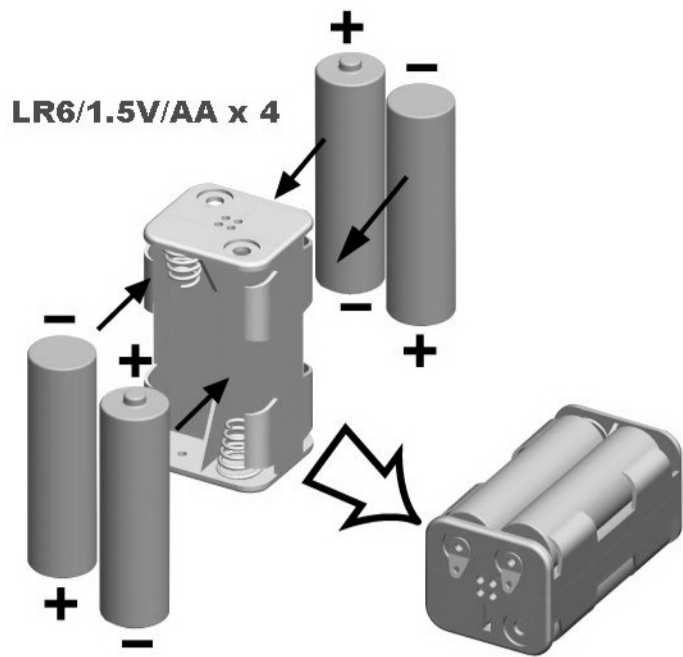
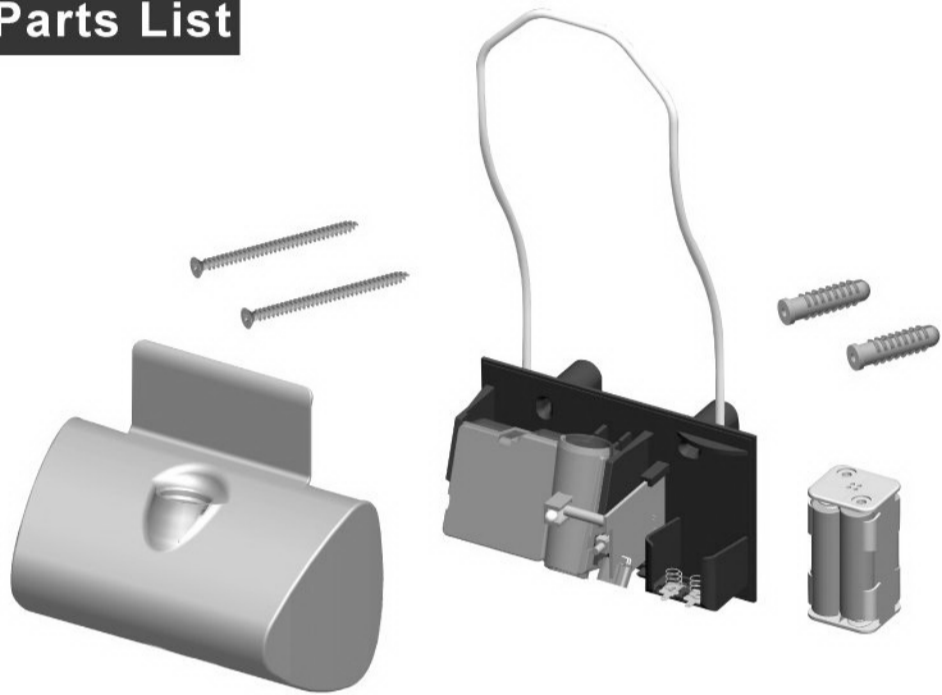


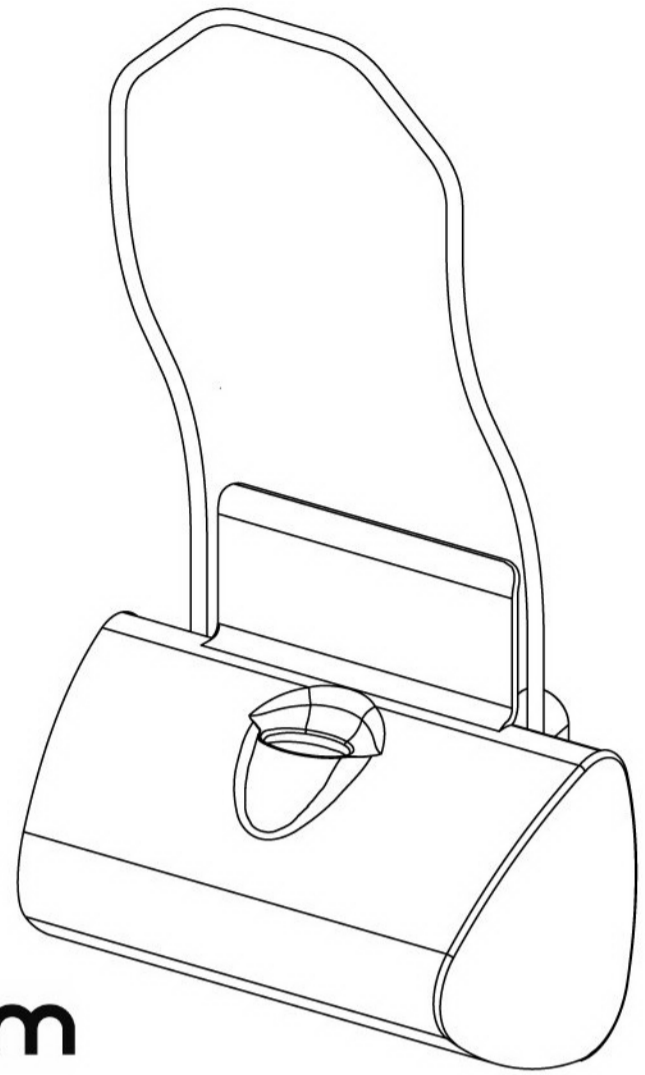
## Replacement of batteries



## Parts List



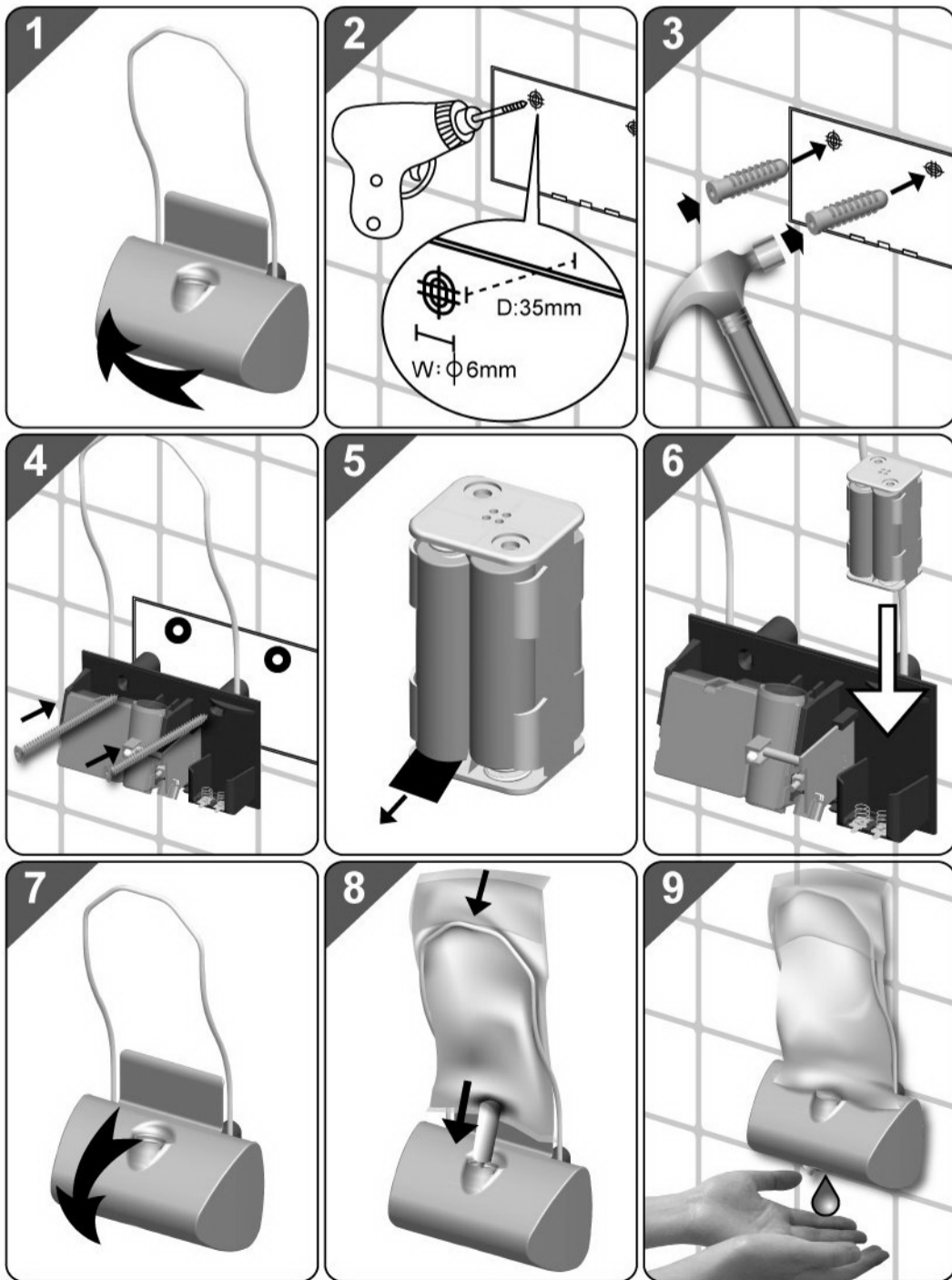
# Touchless Soap Dispenser User Manual



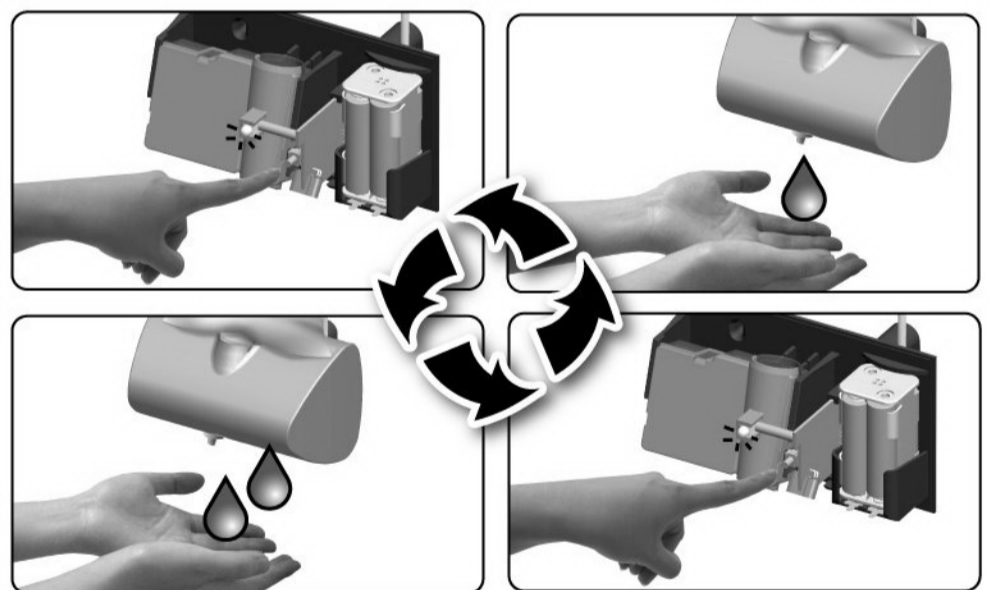
**plum**

Plum A/S  
 Frederik Plums Vej 2 • DK-5610 Assens  
 Tel. +45 6471 2112 • Fax +45 6471 2125  
 plum@plum.dk • www.plum.dk

## Steps



## Drop Cycles Setting Procedure



## Drill Guide

