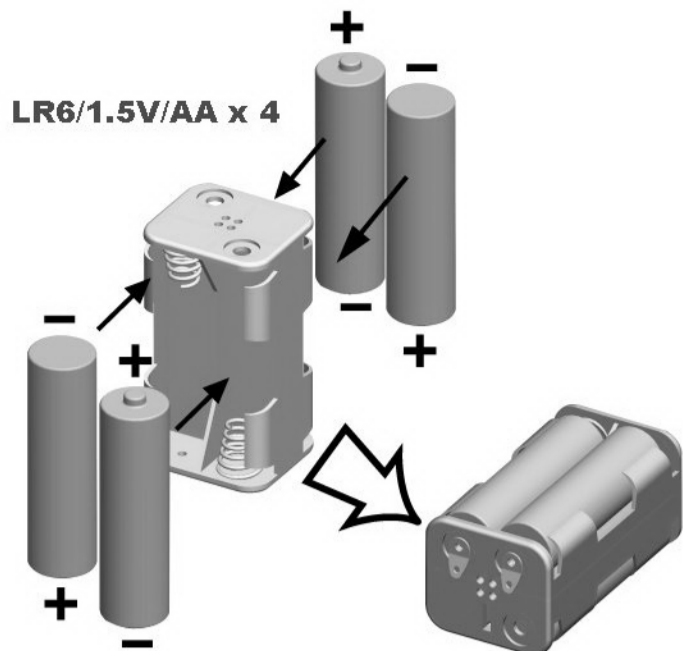
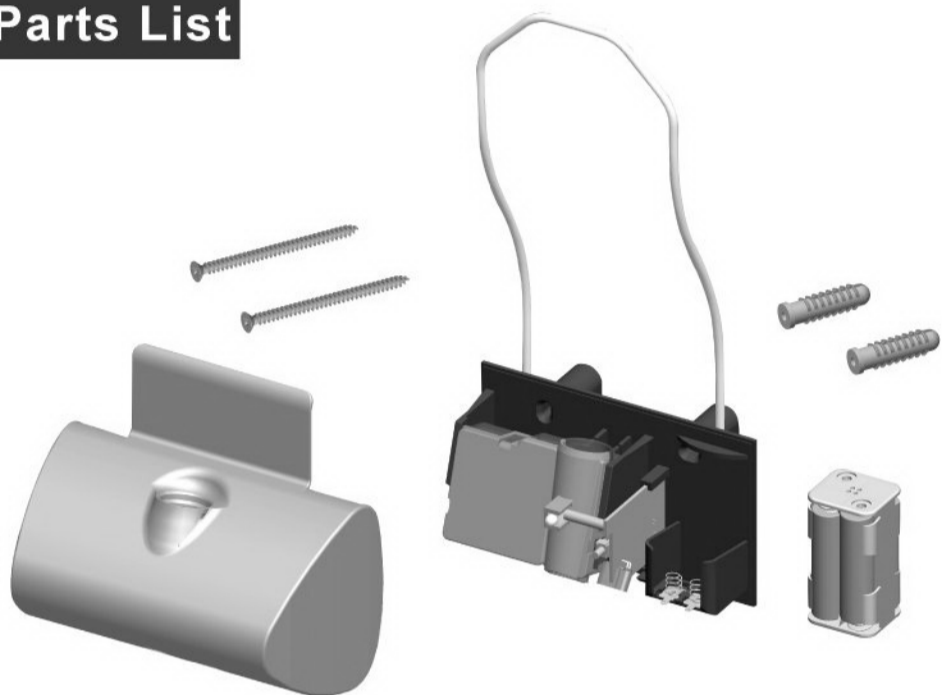


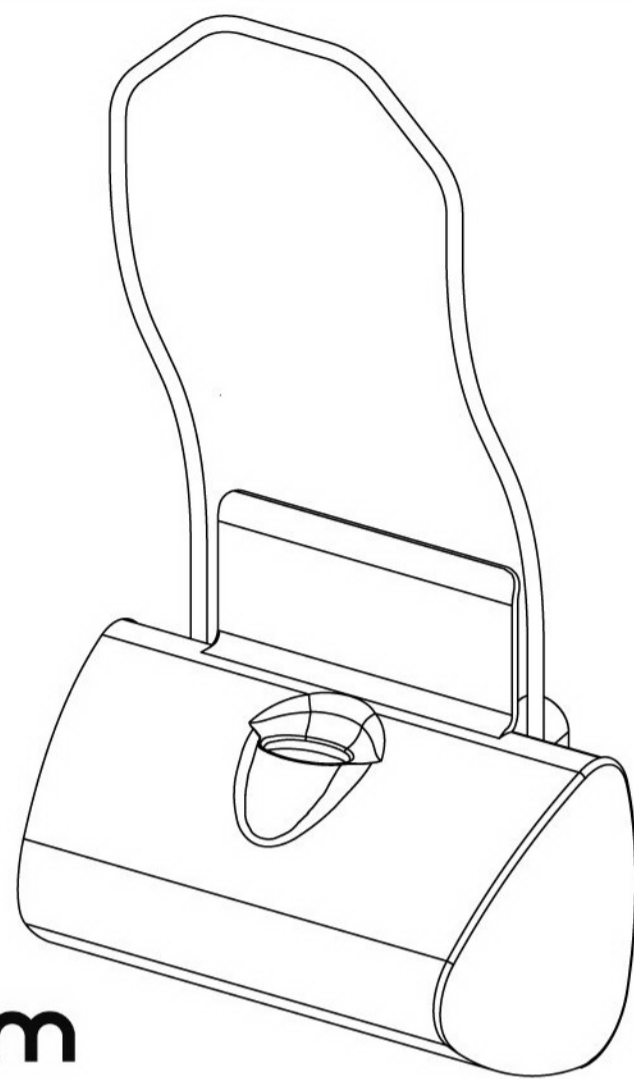
Replacement of batteries



Parts List



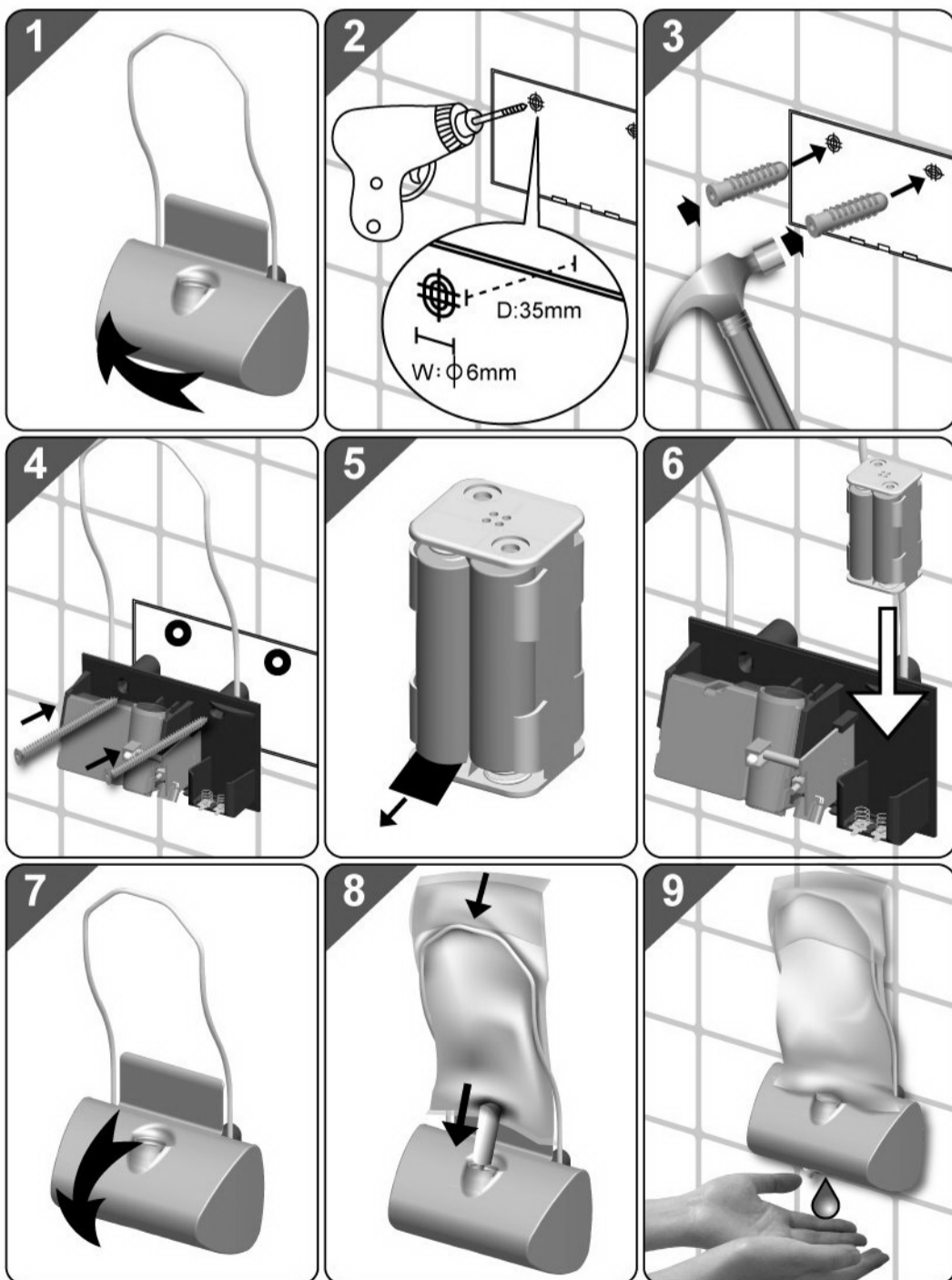
Touchless Soap Dispenser User Manual



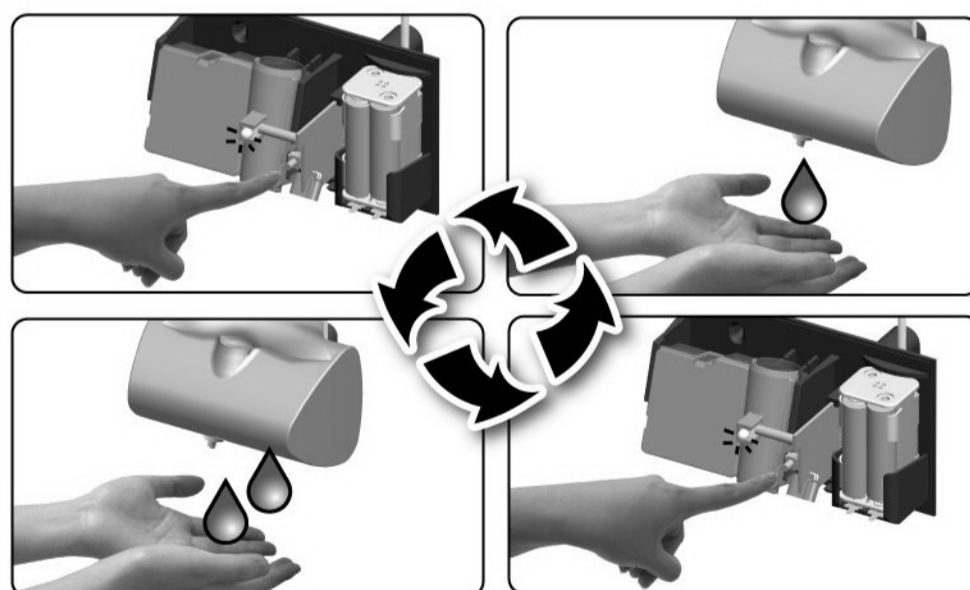
plum

Plum A/S
 Frederik Plums Vej 2 • DK-5610 Assens
 Tel. +45 6471 2112 • Fax +45 6471 2125
 plum@plum.dk • www.plum.dk

Steps



Drop Cycles Setting Procedure



Drill Guide

