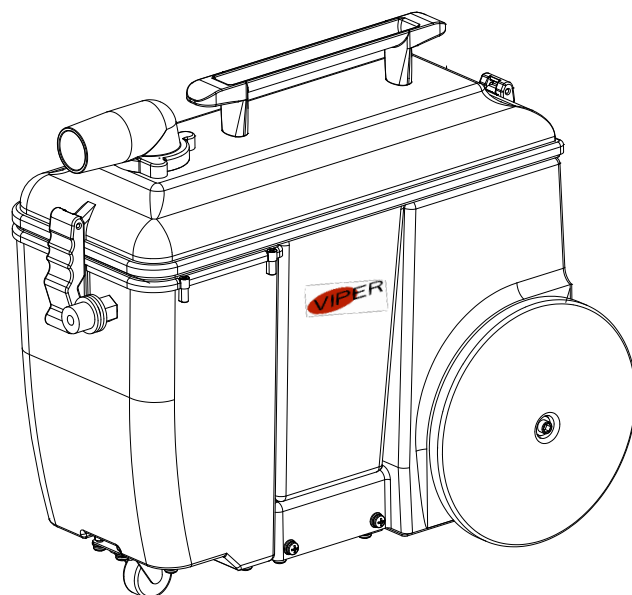


WOLF130

INSTRUCTION FOR USE



Model No.: 50000589 / 50000603 / 50000604

55940036 Rev. B July.2021

Original instructions





EU / UE / EL / EC / EE / ES / EÜ / AB

Declaration of Conformity

Prohlášení o shodě
Konformitätserklärung
Overensstemmelseerklæring
Declaración de conformidad
Vastavusdeklaratsioon
Déclaration de conformité
Vaatumustenmukaisuusvakuutus

Декларация за съответствие

Δήλωση συμμόρφωσης
Megfelelősségi nyilatkozat
Izjava o skladnosti
Dichiarazione di conformità
Atitikties deklaracija
Atbilstības deklarācija
Samsvarserklæring
Conformiteitsverklaring

Declaração de conformidade

Deklaracja zgodności
Declaratie de conformitate
Декларация о соответствии
Försäkran om överensstämmelse
Vyhlasenie o zhode
Izjava o skladnosti
Uygunluk beyanı

Manufacturer / Výrobce / Hersteller / Fabrikant / Fabricante / Κατασκευαστής /
Gyártó / Proizvođač / Fabbicante / Gamintojas / Ražotājs / Produzent / Fabrikant /
Fabricante / Producent / Producător / производитель / Tillverkaren / Výrobca /
Proizvajalec / Üretici firma:

**Nilfisk A/S, Kornmarksvej 1
DK-2605 Broendby, DENMARK**

Product / Produkt / Producto, Toode, Produit, Tuote / Продукт /
Προϊόν / Termék / Proizvod / Prodotto / Produktas / Produkts /
Artikel / Produtos / Produs / Izdelek / Ürün

Wolf 130

Description / Popis / Beschreibung / Beskrivelse / Descripción /
Kirjeldus / La description / Kuvaus / Описание / Περιγραφή / Leirás /
Opis / Descrizione / Aprašymas / Apraksts / Beschrijving / Descrição /
Descriere / Beskrivning / Popis / Açıklama

**FC - Spray Extraction Machine
220-240V 50-60Hz, IPX4**

- | | | |
|---|---|---|
| EN We, Nilfisk hereby declare under our sole responsibility, that the above mentioned product(s) is/are in conformity with the following directives and standards. | BG Ние, Nilfisk С настоящото декларираме на своя лична отговорност, че посочените по-горе продуктът е в съответствие със следните директиви и стандарти. | PT Nós, a Nilfisk declaramos, sob nossa exclusiva responsabilidade, que o produto acima mencionado está em conformidade com as diretrizes e normas a seguir. |
| CS My, Nilfisk prohlašujeme na svou výlučnou odpovědnost, že výše uvedený výrobek je ve shodě s následujícími směrniciemi a normami. | EL Εμείς, Nilfisk δηλώνουμε με αποκλειστική μας ευθύνη, ότι το προαναφερόμενο προϊόν συμμορφώνεται με τις ακόλουθες οδηγίες και πρότυπα. | PL My, Nilfisk Niniejszym oświadczamy z pełną odpowiedzialnością, że wyżej wymieniony produkt jest zgodny z następującymi dyrektywami i normami.. |
| DE Wir, Nilfisk erklären in alleiniger Verantwortung, dass das oben genannte Produkt den folgenden Richtlinien und Normen entspricht. | HU Mi, Nilfisk Kijelentjük, egyedüli felelősséggel, hogy a fent említett termék megfelel az alábbi irányelveknek és szabványoknak | RO Noi, Nilfisk Prin prezenta declarăm pe propria răspundere, că produsul mai sus menționat este în conformitate cu următoarele standarde și directive. |
| DA Vi, Nilfisk erklærer hermed under eget ansvar at ovennævnte produkt(er) er i overensstemmelse med følgende direktiver og standarder. | HR Mi, Nilfisk Izjavljujem o pod punom odgovornosti, da gore navedeni proizvod u skladu sa sljedećim direktivama i standardima. | RU Мы, Nilfisk настоящим заявляем под нашу полную ответственность, что вышеперечисленные продукция соответствует следующими директивам и стандартам. |
| ES Nosotros, Nilfisk declaramos bajo nuestra única responsabilidad que el producto antes mencionado está en conformidad con las siguientes directivas y normas | IT Noi, Nilfisk dichiara sotto la propria responsabilità, che il prodotto di cui sopra è conforme alle seguenti direttive e norme. | SV Vi Nilfisk förklarar härmed under eget ansvar att ovan nämnda produkt överensstämmer med följande direktiv och normer. |
| ET Meie, Nilfisk Käesolevaga kinnitame ja kanname ainuiskulist vastutust, et eespool nimetatud toode on kooskõlas järgmistele direktiivide ja | LT Mes, „Nilfisk“, prisiimdami visišką atsakomybę pareiškiame, kad pirmiau minėtas produktas (-ai) atitinka šias direktyvas ir standartus | SK My, Nilfisk prehlasujeme na svoju výlučnú zodpovednosť, že vyššie uvedený výrobok je v zhode s nasledujúcimi smernicami a normami. |
| FR Nilfisk déclare sous notre seule responsabilité que le produit mentionné ci-dessus est conforme aux directives et normes suivantes. | LV Mēs, Nilfisk, ar pilnu atbildību apliecinām, ka iepriekšminētais produkts atbilst šādām direktīvām un standartiem | SL Mi, Nilfisk izjavljamo s polno odgovornostjo, da je zgoraj omenjeni izdelek v skladu z naslednjimi smernicami in standardi. |
| FI Me, Nilfisk täten vakuutamme omalla vastuulla, että edellä mainittu tuote on yhdenmukainen seuraavien direktiivien ja standardien mukaisesti | NO Vi, Nilfisk erklærer herved under eget ansvar, at det ovennevnte produktet er i samsvar med følgende direktiver og standarder | TR Nilfisk, burada yer alan tüm sorumluluklarımızı görece, yukarıda belirtilen ürünün aşağıdaki direktifler ve standartlara uygun olduğunu beyan ederiz. |
| NL We verklaren Nilfisk hierbij op eigen verantwoordelijkheid, dat het bovengenoemde product voldoet aan de volgende richtlijnen en normen | | |

2006/42/EC	EN 60335-1:2012+A11:2014+A13:2017+A1:2019+A2:2019+A14:2019 EN 60335-2-68:2012
2014/30/EU	EN 55014-1:2017+A11:2020 EN 55014-2:2015 EN 61000-3-2:2019 EN 61000-3-3:2013+A1:2019
2011/65/EU	EN 63000:2018

Authorized signatory: Pierre Mikaelsson, Executive Vice President, Global Products & Services, Nilfisk NLT

Nov 11, 2020



UK Declaration of Conformity

We,
Nilfisk Ltd
Nilfisk House, Bowerbank Way Gilwilly Industrial Estate
Penrith Cumbria
CA11 9BQ UK

Hereby declare under our sole responsibility that the

Product: FC - Spray Extraction Machine
Description: 220-240V 50-60Hz, IPX4
Type: Wolf 130

Is in compliance with the following standards:

EN 60335-1:2012+A11:2014+A13:2017+A1:2019+A2:2019+A14 2019
EN 60335-2-68:2012
EN 55014-1:2017+A11:2020
EN 55014-2:2015
EN 61000-3-2:2019
EN 61000-3-3:2013+A1:2019
EN 63000:2018

Following the provisions of:

Supply of Machinery (Safety) Regulations 2008/1597
Electromagnetic Compatibility Regulations 2016/1091
The Restriction of the Use of Certain Hazardous Substances in Electrical and Electronic Equipment
Regulations 2012/3032

Penrith, 8-4-2021

A handwritten signature in black ink, appearing to read "Stewart Dennett". The signature is written in a cursive style with a long horizontal stroke at the end.

Stewart Dennett
GM/MD

TABLE OF CONTENTS

ENGLISH	INSTRUCTION FOR USE.....	1-13
БЪЛГАРСКИ	ИНСТРУКЦИИ ЗА УПОТРЕБА.....	14-26
ČESKY	NÁVOD K POUŽITÍ.....	27-39
DEUTSCH	BEDIENUNGSHANDBUCH.....	40-52
DANSK	BRUGSVEJLEDNING.....	53-65
ΕΛΛΗΝΙΚΑ	ΟΔΗΓΙΕΣ ΧΡΗΣΗΣ.....	66-78
ESPAÑOL	INSTRUCCIONES DE USO.....	79-91
EESTI	KASUTUSJUHISED.....	92-104
SUOMI	OHJEET KÄYTTÖÄ VARTEN.....	105-117
FRANÇAIS	INSTRUCTIONS D'UTILISATION.....	118-130
HRVATSKI	UPUTE ZA UPORABU.....	131-143
MAGYAR	HASZNÁLATI ÚTMUTATÓ.....	144-156
ITALIANO	ISTRUZIONI D'USO.....	157-169
LIETUVIŠKAI	NAUDOJIMO INSTRUKCIJOS.....	170-182
LATVIEŠU VALODA	LIETOŠANAS INSTRUKCIJAS.....	183-195
NEDERLANDS	GEBRUIKSAANWIJZING.....	196-208
NORSK	BRUKSANVISNING.....	209-221
POLSKI	INSTRUKCJA OBSŁUGI.....	222-234
PORTUGUÊS	INSTRUÇÕES DE USO.....	235-247
ROMÂNĂ	INSTRUCȚIUNI DE UTILIZARE.....	248-260
РУССКИЙ	ИНСТРУКЦИИ ПО ИСПОЛЬЗОВАНИЮ.....	261-273
SLOVENSKY	NÁVOD NA OBSLUHU.....	274-286
SLOVENŠČINA	NAVODILA ZA UPORABO.....	287-299
SVENSK	ANVÄNDARINSTRUKTIONER.....	300-314
TÜRKÇE	KULLANMA TALİMATLARI.....	313-327

INTRODUCTION



NOTE

The numbers in brackets refer to the components shown in Machine Description chapter.

GUIDE PURPOSE AND CONTENTS

The purpose of this instruction for use is to provide the operator with all basic information and technical characteristics, operation, machine inactivity, spare parts and safety conditions etc.

Before performing any procedure on the machine, the operators and qualified technicians must read the Instruction for Use manual. Contact our company in case of doubts concerning the interpretation of the instructions or for any further information.

HOW TO KEEP THIS INSTRUCTION FOR USE

The instruction for use must be kept near the machine, inside an adequate case, away from liquids and other substances that can cause any damage to it.

DECLARATION OF CONFORMITY

Declaration of Conformity is supplied with the machine and certifies machine conformity with the law in force.



NOTE

The copies of the original declaration of conformity are provided together with the machine documentation.

ACCESSORIES AND MAINTENANCE

All the necessary operation, maintenance and repair procedures must be made by qualified personnel, our company appointed repair center. ONLY original or approved spare parts and accessories can be used.

Contact our company customer service for any service or purchase of accessories or spare parts if necessary.

CHANGE AND IMPROVEMENT

We are committed to continuous improvement of our products, and the company reserves the right to machine changes and improvements without additional information.

SCOPE OF APPLICATION

This machine is intended for commercial use. It is constructed for use in an indoor environment and is not intended for any other use. Use only recommended accessories.

MACHINE IDENTIFICATION DATA

The machine serial number and model name are marked on the serial label.

This information is useful. Use the following table to write down the machine identification data when requiring spare parts for the machine.

MACHINE MODEL.....
MACHINE SERIAL NUMBER.....

TRANSPORT AND UNPACKING

Carefully check the shipping carton for signs of damage. Report any carton damage to carrier immediately.

Check carton contents to ensure carton is complete. Contact your distributor if anything is missing.

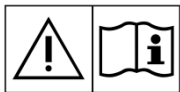
Contents:

- Carpet Spotter
- Vacuum & Solution hoses
- Hand tool

SAFETY

The following symbols indicate potentially dangerous situations. Always read this information carefully and take all necessary precautions to safeguard people and property.

VISIBLE SYMBOLS ON THE MACHINE



WARNING!

Read all the instructions carefully before performing any operation on the machine.



WARNING!

Do not wash the machine with direct or pressurized water jets.

SYMBOLS THAT APPEAR ON THE INSTRUCTION FOR USE



DANGER!

It indicates a dangerous situation with risk of death for the operator.



WARNING!

It indicates a potential risk of injury for people.



CAUTION!

It indicates a caution, or a remark related to important or useful functions.

Pay attention to the paragraphs marked by this symbol.



NOTE

It indicates a remark related to important or useful functions.



CONSULTATION

It indicates the necessity to refer to the Instruction for Use manual before performing any procedure.

GENERAL SAFETY INSTRUCTION

General – This carpet spotting machine shall be grounded while in use to protect the operator from electric shock. The machine is provided with a three-contact grounding type attachment plug to fit the proper grounding type receptacle. The green (or green & yellow) conductor in the cord is the grounding wire. Never connect this wire to other than the grounding pin of the attachment plug.

This machine is for use on a nominal 220-240-volt circuit and has a grounding plug that resembles the plug illustrated in figure below. Make sure that the machine is connected to an outlet having the same configuration as the plug. No adapter should be used with this machine.

Specific warnings and cautions to inform about potential damages to people and machine are shown below.

**DANGER!**

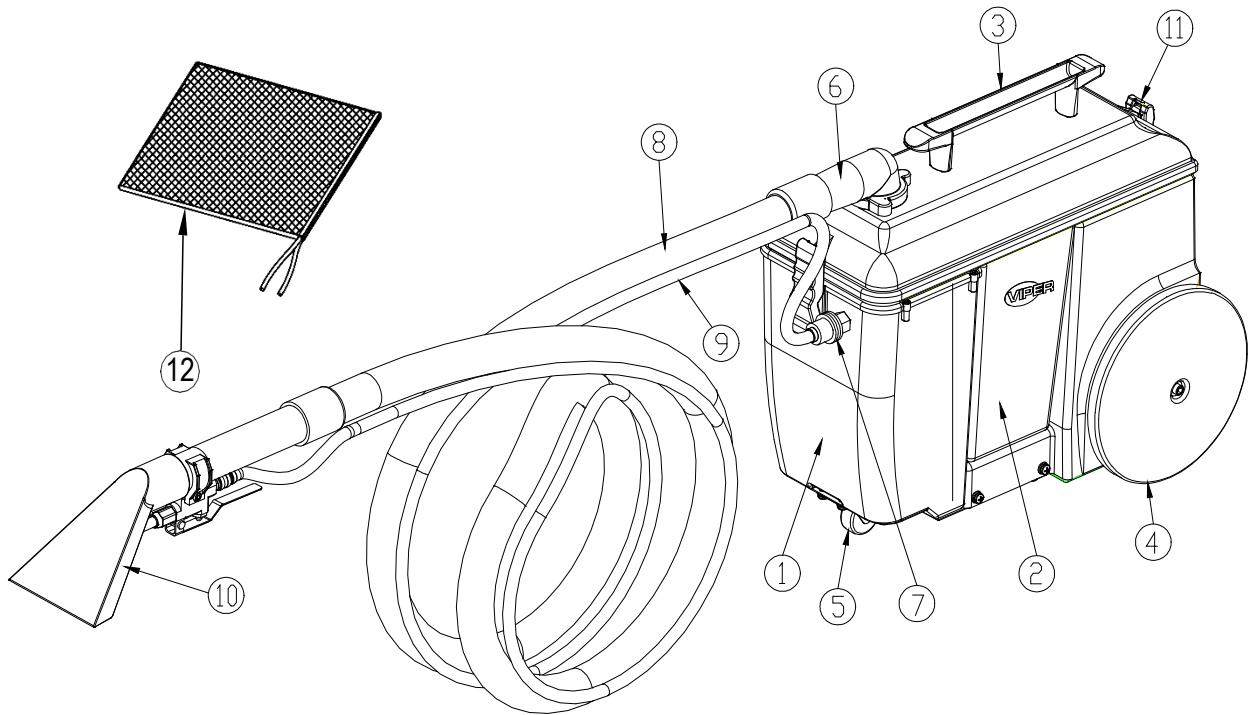
- This machine must be operated by trained and authorized personnel according to guidance of the manual.
- Before performing any cleaning, maintenance, repair or replacement procedure, read all the instructions carefully, ensure to turn the machine OFF.
- Do not operate the machine near toxic, dangerous, flammable and/or explosive powders, liquids or vapor. This machine is not suitable for collecting dangerous powders.
- Do not wear jewelry when working near electrical components.
- Do not work under the lifted machine without supporting it with safety stands.

**WARNING!**

- This machine is intended for COMMERCIAL USE, for example in hotels, schools, hospitals, factories, shops, offices and rental businesses.
- Machines left unattended shall be secured against unintentional movement.
- In order to prevent unauthorized use of the machine, the power source shall be switched off or locked.
- Check the machine carefully before each use. Ensure that all the components have been well assembled before use. Loose components may cause damage to people and properties.
- Never move the machine by pulling the cable. Do not pass the cable through a closed door or wind the cable around sharp edges or corners. Do not run the machine over the cable. Keep the cable away from heated surfaces.
- To reduce the risk of fire, electric shock, or injury, make sure machine is off before leaving.
- Use or store the machine indoors in dry conditions, it is not allowed for outdoor use.
- The machine storage and working temperature must be between 0 °C and +40 °C, the humidity of air must be between 30% - 95%.
- Do not use the machine on slopes with a gradient exceeding the specifications shown.
- When using and handling floor cleaning detergents, follow the instructions on the labels of the detergent bottles and wear suitable gloves and other protective devices.
- In case of machine malfunctions, ensure that these are not due to lack of maintenance. If necessary, request assistance from the authorized personnel or from an authorized Service Center.
- Take all necessary precautions to prevent hair, jewelry, and loose clothes from being caught by the machine moving parts.
- Do not use the machine in particularly dusty areas.
- Do not wash the machine with direct or pressured water jets, or with corrosive substances.
- Do not bump into shelves or scaffoldings, especially where there is a risk of falling objects.
- Do not lean liquid containers on the machine, use the relevant can holder.
- In case of fire, use a dry powder fire extinguisher. Do not use liquid fire extinguishers.
- Do not remove or modify the machine labels.
- Pay attention during machine transportation when temperature is below freezing point. The water in the recovery tank and in the hoses could freeze and cause serious damage to the machine.
- If spare parts need be replaced, order ORIGINAL spare parts from an Authorized Dealers or Retailers.
- Return the machine to the Service Center if it doesn't work as usual or it is damaged.
- To ensure machine proper and safe operation, the scheduled maintenance shown in the relevant chapter of this Manual, must be performed by the authorized personnel or an authorized Dealers or Retailers.

- This machine is a cleaning tool only and is not intended for any other purpose.
- Always keep the openings free from dust, hairs and any other foreign material which could reduce the air flow. Do not use the machine if the openings are clogged.
- Use the machine only where proper lighting is provided.
- This machine is not intended for use by persons (including children) with reduced physical, sensory or mental capabilities, or lack of experience and knowledge.
- Close attention is necessary when used near children.
- Children should be supervised to ensure that they do not play with the machine.
- While using this machine, take care not to cause damage to people or objects.
- Cleaning and user maintenance shall not be made by children without supervision.
- Operators shall be adequately instructed on the use of these machines.
- This appliance incorporates an earth connection for functional purposes only
- If the supply cord is damaged, it must be replaced by the manufacturer, its service agent or similarly qualified persons in order to avoid a hazard.
- Removing the plug from the socket-outlet during cleaning or maintenance and when replacing parts or converting the machine to another function

MACHINE DESCRIPTION
MACHINE STRUCTURE

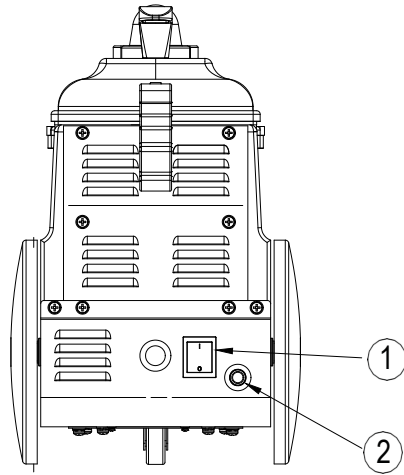


- | | |
|---------------------------|-----------------------------|
| 1) Solution Tank | 7) Solution hose connection |
| 2) Recovery Tank | 8) Vacuum Hose |
| 3) Handle | 9) Solution Hose |
| 4) Transport Wheels | 10) Hand Tool |
| 5) Front Caster | 11) Clamp |
| 6) Vacuum hose connection | 12) Blue accessory bag |

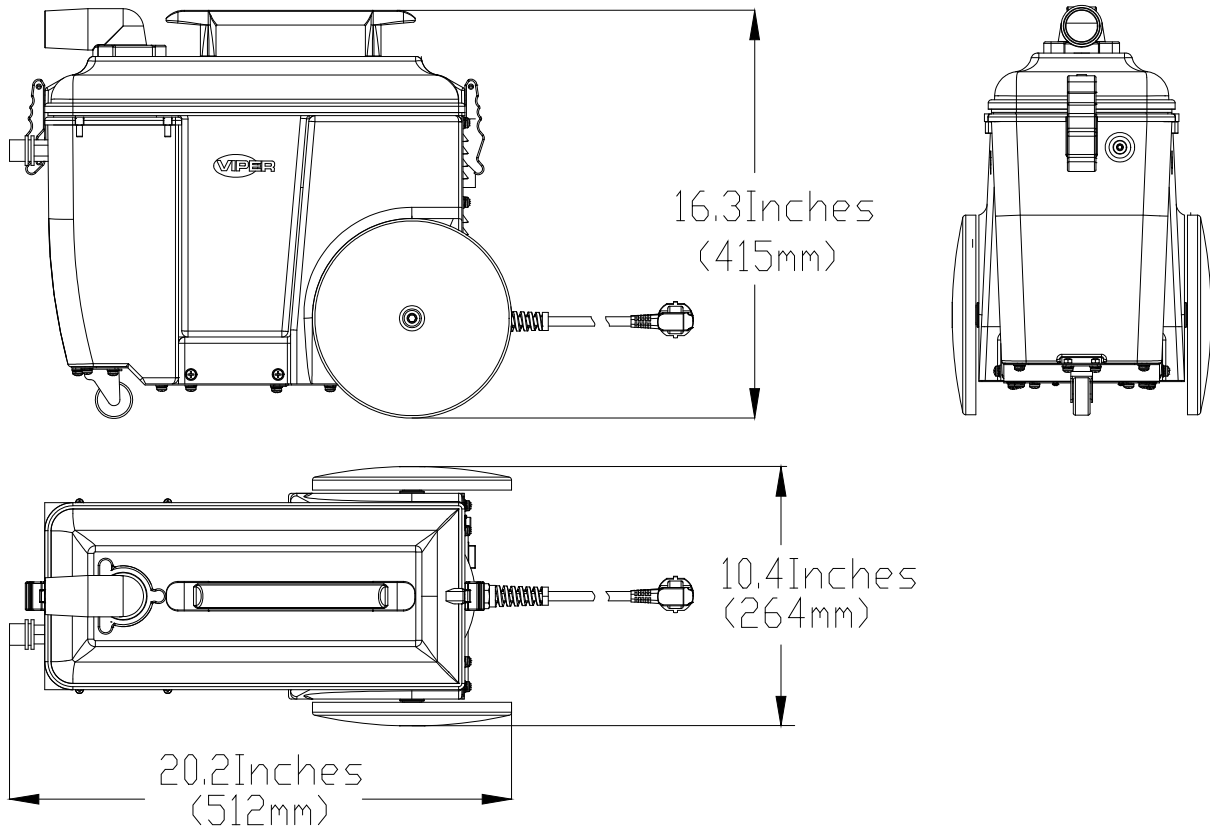
Figure 1

CONTROL PANEL

- 1. Power switch
- 2. Overload Protector



MACHINE SIZE

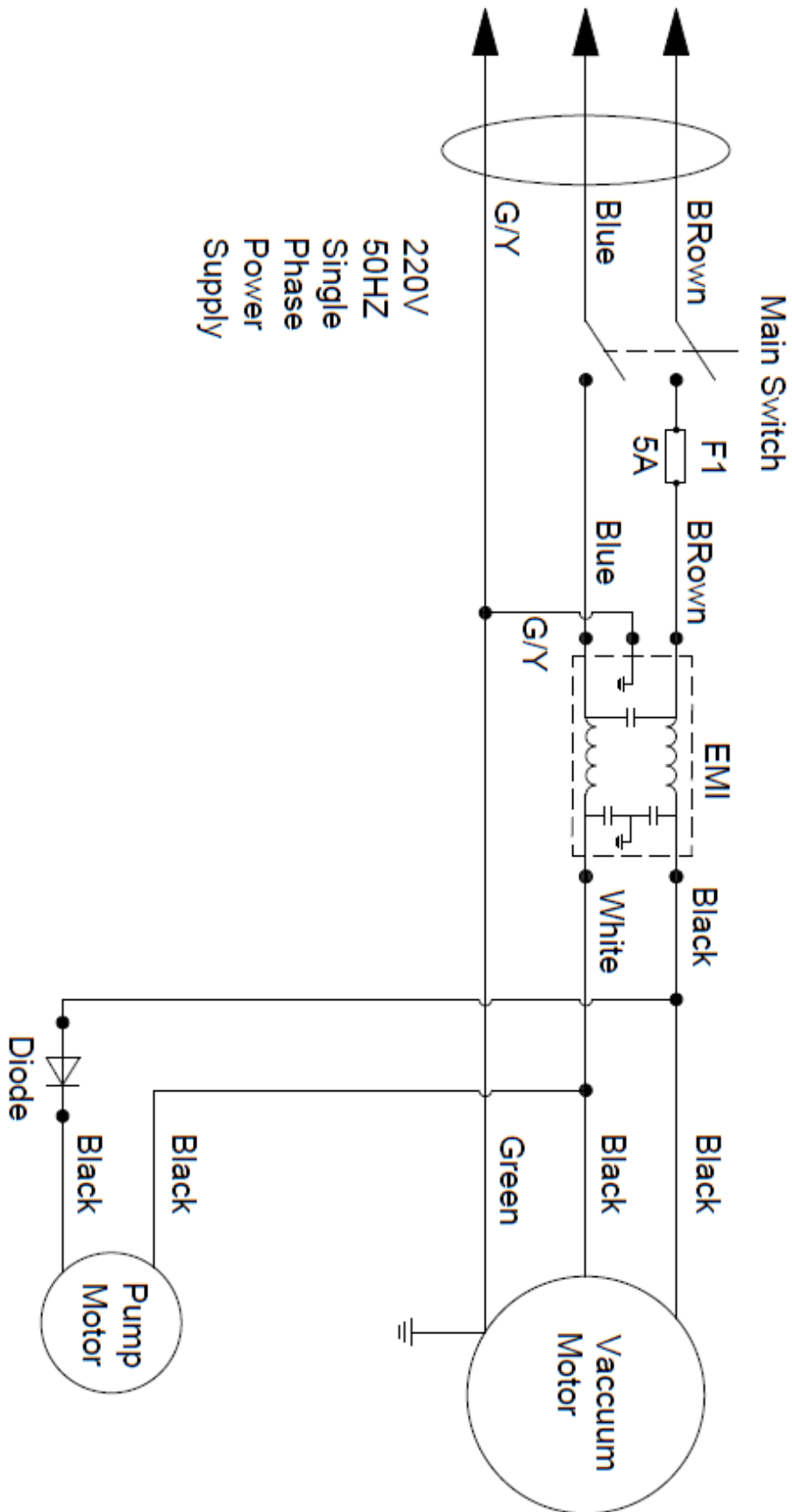


TECHNICAL PARAMETERS

Models	EU	UK	TURKEY
Master Description	WOLF130		
Ref. No. Stock code	50000589	50000604	50000603
Voltage	220-240V		
Vacuum Motor	1000W		
Amp draw	4.7 amps		
Weight	9.85kg		
Shipping weight	29.8 lbs. (13.5kg)		
Sound power level	80 dB		
Sound pressure level	67 dB A		
Solution pump pressure	30PSI (2bar)		
Water lift (Max vacuum)	85 in H ₂ O (21.8 KPa)		
Power Cable ft	10m, Safety Orange		
Cleaning Path Inch	4" (10.2cm)		
Solution and recovery Tank Gallon	3.8L		
Solution & Vacuum hoses ft	3m		
Dimension L x W x H (Packaging)	23.3 x 15.4 x 19.3 in (59x 39 x 49cm)		

(*): Optional

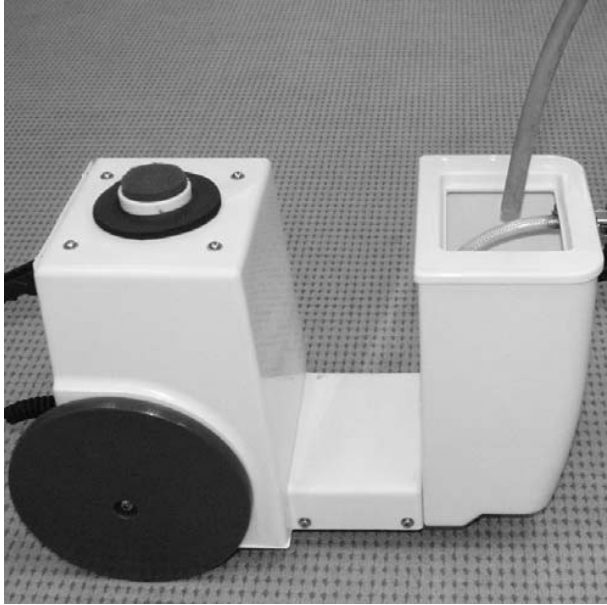
WIRING DIAGRAM



OPERATING GUIDE

Read operators manual thoroughly prior to operating or servicing this machine

- 1) Using a hose or bucket, fill tank with a maximum of 1 gallon of water (water temperature is less than 50°C).



Do not use flammable liquids or operate machine in or near flammable liquids or vapors

- 2) Connect the solution hose and vacuum hose to the machine.
- 3) Connect the power cable to a grounded wall outlet. (see grounding instructions)

MACHINE OPERATION

PRIOR TO REMOVING SPOTS

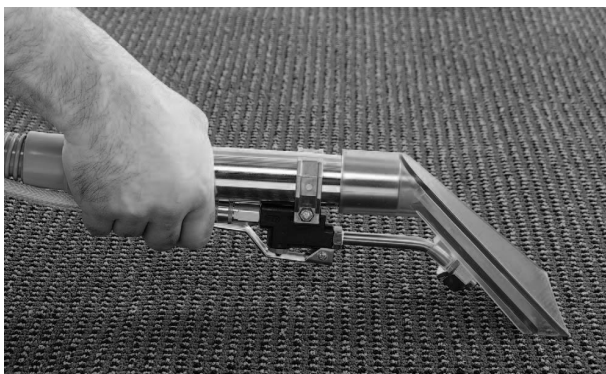
- 1) Inspect power cable for damage. Replace cable if damage is found.
- 2) Vacuum carpet to remove debris prior to extracting the spot.

SPOT REMOVAL

- 1) Place the power switch in the "I" position.

NOTE: Solution will only spray when the spray handle (on the hand tool) is pulled.

- 2) To start cleaning, pull the spray handle (hand tool) and begin to pull the tool backwards over the spot.



- 3) Release spray handle when you have reached the end of the spot. Continue to pull hand tool back for another 4 inches to pick up excess solution.
- 4) Continue until spot is removed.

OPERATING HINTS

- 1) Use cool water only. Hot water may set a stain.
- 2) Continually check for foam buildup in recovery tank. Use a distributor recommended foam control solution.

NOTE: Excessive foam buildup will cause damage to the vacuum motor.

- 3) Repeat extraction path on heavily soiled areas.
- 4) When recovery of the dirty solution ends, or the solution tank is empty, you must drain the recovery tank. (see TANK DRAINING)

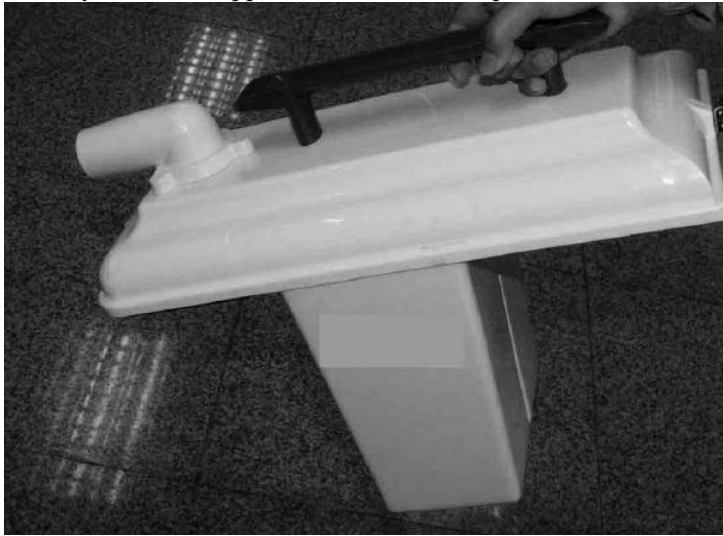
DRAINING TANKS

DRAINING SOLUTION TANK

- 1) Turn machine off and unplug from power source.
- 2) Disconnect solution and vacuum hoses from front of machine.
- 3) Unhook clamps on recovery tank and remove recovery tank from machine.
- 4) Carry solution tank to an approved drain and dump out contents.

DRAINING RECOVERY TANK

- 1) Turn off machine and unplug from power source.
- 2) Unhook clamps on recovery tank and remove recovery tank from machine.
- 3) Carry recovery tank to an approved drain and dump out contents.



- 4) Rinse recovery tank with clean water.
- 5) Assembled the machine again.

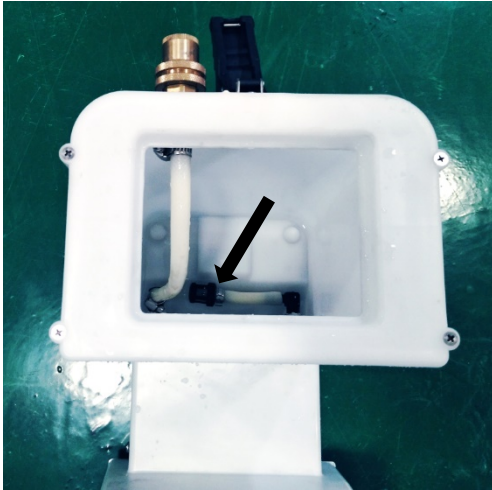
MAINTENANCE

To keep the machine performing well for many years, please follow the following maintenance procedures.

!!! Always confirm that the machine is unplugged prior to performing any maintenance or repairs!!!

DAILY MAINTENANCE

- 1) When cleaning operation is complete for the day, drain and rinse the recovery tank thoroughly with clean water.
- 2) Remove remaining solution from solution tank.
- 3) Remove vacuum filter and rinse with clean water.
- 4) Replace filter when dry.



- 5) Remove and inspect spray jet. If necessary, clean jet.

NOTE: Do not clean jet with a pointed object, as it will damage the jets.

- 6) Check brush strip & remove any debris or carpet fibers.
- 7) Check pick-up head-on hand tool and remove any debris or carpet fibers.
- 8) Clean machine with a nonabrasive cleaner.
- 9) Inspect power cable for any damage. Replace if necessary.

MONTHLY MAINTENANCE

- 1) Flush pump & plumbing with an acetic acid solution to dissolve any chemical buildup.
Mixing Instructions:
 - a) Premix 8 oz. of an acetic acid solution with 1 gallon of water and pour into solution tank.
Turn vacuum / pump switch on.
 - b) Put floor tool head over floor drain and pull solution trigger for one (1) minute.
 - c) Turn machine off and allow remaining solution to sit in machine overnight.
 - d) The following day spray out remaining solution and flush system again with 1 gallon of clean water.
- 2) Inspect machine for water leaks.
- 3) Check machine for loose or missing nuts, screw and bolts and replace as necessary.

MACHINE STORAGE

- 1) Prior to storing the machine, ensure the solution and recovery tanks are clean and empty of any solution.
- 2) Store machine in upright position in a dry area, with the vacuum hose removed for air circulation.

NOTE: If you are storing the machine in an area which can freeze, be sure both tanks and the solution plumbing are empty of all water and dry!

BASIC TROUBLESHOOTING

Trouble	Probable causes	Remedy
Machine doesn't work	Not plugged in to power source	Plug into a grounded outlet
	Faulty power cable	Contact Distributor
	Faulty extension power cable	Replace with new extension power cable
	Building circuit breaker tripped	Reset circuit breaker
Solution pump not working	Vacuum / pump switch not on	Turn on switch
	Vacuum / pump switch faulty	Contact Distributor
	Faulty solenoid	Contact Distributor
	Faulty solution pump	Contact Distributor
	Pump overheated	Determine cause and allow 30 minutes for pump to cool
	Loose or broken wiring	Contact Distributor
Vacuum motor not working	Vacuum / pump switch not on	Turn on switch
	Vacuum / pump switch faulty	Contact Distributor
	Vacuum motor thermal overload tripped	Check for obstruction and allow 30 minutes to cool
	Faulty vacuum motor	Contact Distributor
	Worn carbon brushes	Contact Distributor
	Loose or broken wiring	Contact Distributor
Poor pick up	Air leaking around recovery gasket	Ensure recovery lid is firmly tightened
	Vacuum gasket damaged or worn	Replace gasket
	Loose vacuum hose connections	Ensure vacuum hose connections are tight
	Defective vacuum hose	Replace vacuum hose
	Loose vacuum hose cuffs	Ensure cuffs are secure to the housing
	Vacuum hose clogged	Remove obstruction from vacuum hose
Uneven or no solution spray	Solution tank is empty or low	Fill solution tank
	Vacuum / pump switch not on	Turn on switch
	Dirty or plugged spray tips	Clean or replace spray tips
	Improper spray tip size or spray angle	Contact Distributor
	Worn spray tips	Contact Distributor
	Faulty solution pump	Contact Distributor
	Clogged solution tank filter	Clean or replace filter
	Pinched or kinked solution hose	Check for obstructions and kinks and reroute or replace if needed

TROUBLESHOOTING**SCRAPPING**

Scrap the machine by the qualified waste treatment institution.

Before the machine is scrapped, please take away and segregate below subassembly that relevant laws and regulations request must be disposed in appropriate way.

- Brush/Pad-holder
- Plastic hose and plastic parts
- Electrical and electronic components (*)

(*) Please contact our company service center destroying any electrical and electronic components.

Machine material composition and recyclability

Type	Recyclable percentage	WOLF130 weight percentage%
Electric motors-various	20%	22%
Ferrous materials	80%	20%
Wiring harness	80%	1%
Liquids	100%	0%
Plastic-non-recyclable material	0%	1%
Plastic-recyclable material	100%	45%
Rubber	20%	1%

ВЪВЕДЕНИЕ**ЗАБЕЛЕЖКА**

Числата в скобите се отнасят за елементите, посочени в раздел Описание на уреда.

ЦЕЛ И СЪДЪРЖАНИЕ НА РЪКОВОДСТВОТО

Предназначението на тези инструкции за употреба е да се предостави на оператора цялата основна информация за техническите характеристики, работата и покоя на машината, резервните части и условията за безопасност.

Преди да извършват каквито и да е дейности по уреда, както операторите, така и квалифицираният персонал трябва да прочетат Инструкциите за употреба. Свържете се с нашата компания в случай на съмнение относно тълкуването на инструкциите или за всяка допълнителна информация.

КАК ДА СЪХРАНЯВАТЕ ТЕЗИ ИНСТРУКЦИИ ЗА УПОТРЕБА

Инструкциите за употреба трябва да се съхраняват в близост до уреда, в подходяща опаковка, далеч от течности и други вещества, които могат да го повредят.

ДЕКЛАРАЦИЯ ЗА СЪОТВЕТСТВИЕ

Декларация за съответствие се предоставя заедно с устройството и удостоверява, че уредът в съответствие с действащото законодателство.

**ЗАБЕЛЕЖКА**

Копията от оригинала на декларацията за съответствие се предоставят заедно с документация на уреда.

РЕЗЕРВНИ ЧАСТИ И ПОДДРЪЖКА

Всички необходими процедури за експлоатация, поддръжка и ремонт трябва да се извършват от квалифициран персонал, или одобрен от нашата фирма сервизен център. Могат да се използват само оригинални или одобрени резервни части и аксесоари. В случай на необходимост от ремонт или поръчка на резервни части или аксесоари, моля свържете се с нас.

ПРОМЕНИ И ПОДОБРЕНИЯ

Ние непрекъснато подобряваме и обновяваме нашите продукти, като компанията си запазва правото да променя и подобрява уредите, без да съобщава за това допълнително.

ОБЛАСТ НА ПРИЛОЖЕНИЕ

Тази машина е предназначена за професионална употреба. Тя е конструирана за използване на закрито и не е предназначен за друга употреба. Използвайте само препоръчаните принадлежности.

ИДЕНТИФИКАЦИОННИ ДАННИ НА УРЕДА

Моделът и серийния номер на уреда са отбелязани на етикета със серийния номер.

Тази информация е важна. Използвайте следната таблица, за да запишете идентификационните данни на уреда, те ще са Ви необходими при поръчка на резервни части.

МОДЕЛ НА МАШИНАТА.....

СЕРИЕН НОМЕР НА МАШИНАТА.....

РАЗОПАКОВАНЕ И ТРАНСПОРТ

Внимателно проверете транспортната опаковка за признаци на повреда. Незабавно уведомете превозвача при повреда на опаковката.

Проверете съдържанието на кашона, за да се уверите, че нищо не липсва. Свържете се с вашия дистрибутор, ако нещо липсва.

Съдържание:

- Машина за почистване на килими
- Смукателен маркуч и маркуч за почистващия разтвор
- Ръчен инструмент

БЕЗОПАСНОСТ

Следните символи предупреждават за потенциално опасни ситуации. Прочетете тази информация внимателно и да вземете всички необходими предпазни мерки, за защита на хората и имуществото.

ВИДИМИ ОЗНАЧЕНИЯ**ВНИМАНИЕ!**

Прочетете внимателно всички инструкции, преди да извървите каквато и да е дейност върху уреда.

**ВНИМАНИЕ!**

Не мийте уреда с директна струя или вода под налягане.

СИМВОЛИ, КОИТО СЕ ИЗПОЛЗВАТ В ИНСТРУКЦИИТЕ ЗА УПОТРЕБА**ОПАСНО!**

Отнася се за опасна ситуация, която може да причини смъртта на оператора.

**ВНИМАНИЕ!**

Показва потенциален риск от наранявания.

**ПРЕДУПРЕЖДЕНИЕ!**

Предупреждение за повишено внимание или забележка, свързана с важни или полезни функции. Обърнете внимание на абзаците, маркирани с този символ.

**ЗАБЕЛЕЖКА**

Съдържа специална информация, свързана с важни или полезни функции.

**ПРЕПОРЪКА**

Това показва необходимостта да проверите Инструкциите за употреба, преди да изпълните някоя процедура.

ОБЩИ НАСОКИ ЗА БЕЗОПАСНОСТ

Общи положения - Тази машина за почистване на килими трябва да бъде заземена, докато се използва, за да предпази оператора от токов удар. Машината е снабдена с триконтактен щепсел за заземяване, за да може да използва подходящия контакт за заземяване. Зеленият (или зелено-жълтият) проводник от кабела е заземяващият проводник. Никога не свързвайте този проводник с друг контакт, освен с заземителния контакт на щепсела за захранване.

Тази машина е предназначена за захранваща мрежа с напрежение 220-240-волта и има заземяващ съединител, който прилича на съединителя, показан на фигурата по-долу. Уверете се, че машината е свързана към контакт със същата конфигурация като щепсела. С тази машина не изисква използването на адаптер.

Специфични предупреждения и предпазни мерки относно риска от евентуални наранявания за хората и щети за уреда, както е указано по-долу.

**ОПАСНО!**

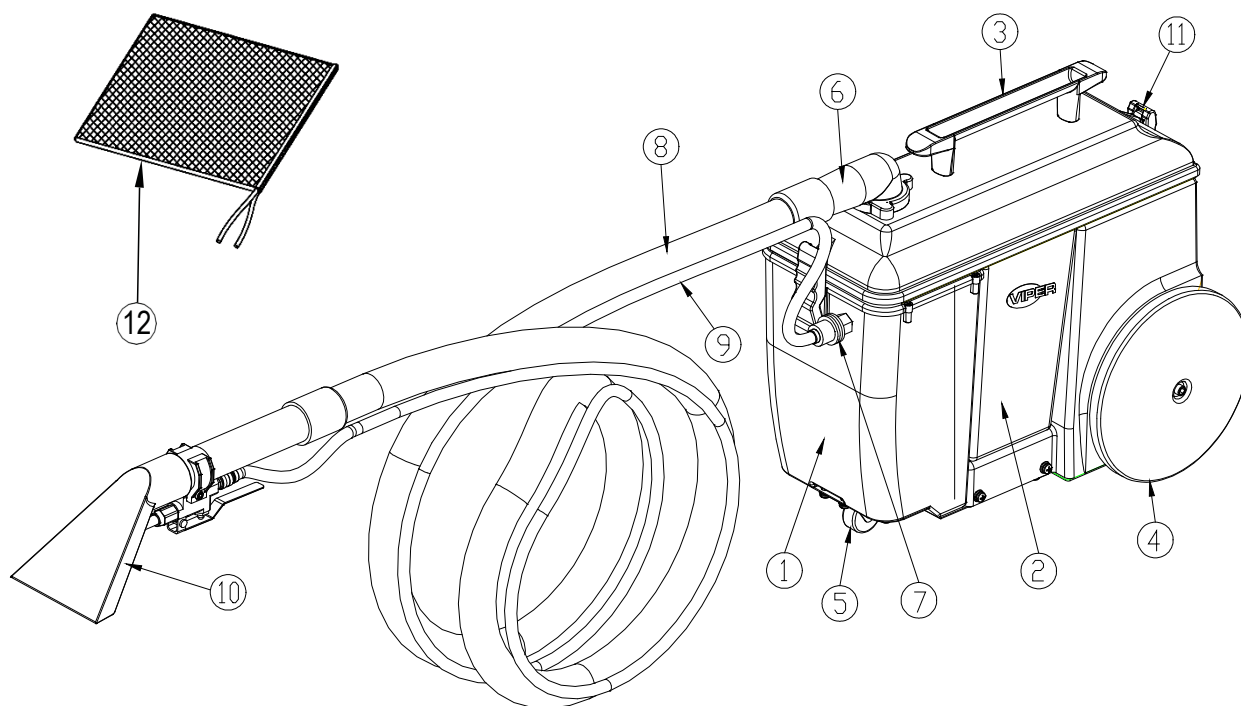
- Този уред трябва да се използва само от обучени и упълномощени служители, съгласно напътствията в това ръководство.
- Преди да извършите каквато и да е процедура за почистване, поддръжка, ремонт или подмяна, прочетете внимателно всички инструкции и се уверете, че сте изключили машината.
- Не работете с уреда в близост до токсични, опасни, лесно възпламеними и/или взривоопасни прахове, течности или пари. Уредът не е подходящ за събиране на опасен прах.
- Не носете бижута, когато работите в близост до електрически компоненти.
- Не работете под уреда, когато е повдигнат, освен ако не се уверите, че е добре обезопасен.

**ВНИМАНИЕ!**

- Тази машина е предназначена за ПРОФЕСИОНАЛНА употреба, например в хотели, училища, болници, фабрики, магазини, офиси или фирми за отдаване под наем.
- Уредите, оставени без надзор, трябва да бъдат обезопасени срещу неволно движение.
- За да се предотврати неразрешено използване на машината, източникът на захранване трябва да бъде изключен или заключен.
- Проверявайте уреда внимателно преди всяка употреба. Преди да използвате уреда, уверете се, че всички компоненти са били сглобени добре. Разхлабените компоненти могат да причинят вреда на хора или имущество.
- Никога не местете машината, като я дърпате за кабела. Не прещипвайте кабела при затваряне на врати и не го огъвайте покрай остри ъгли и ръбове. Не минавайте с машината през кабела. Пазете кабела далеч от горещи повърхности.
- За да намалите риска от пожар, токов удар или нараняване, се уверете, че уредът е изключен, преди да го оставите без надзор.
- Използвайте и съхранявайте устройството на закрито, в сухи помещения, употребата на открито не е разрешена.
- Както температурата за съхранение, така и работната температура, трябва да бъдат между 0°C и 40°C, при влажност на въздуха в интервала 30% - 95%.
- Не използвайте уреда върху наклонени повърхности, чийто градус надвишава допустимия съгласно спецификациите.
- При използване и работа с почистващи препарати за подови настилки, следвайте инструкциите на етикетите на бутилките и носете подходящи ръкавици и други защитни приспособления.
- При поява на дефект се уверете, че причината не е поради липсата на поддръжка. Ако е необходимо, поискайте съдействие от упълномощени лица или оторизирани сервизни центрове.

- Вземете всички необходими мерки, за да предотвратите зацепването на коса, бижута или широки дрехи в подвижните части на уреда.
- Не използвайте уреда в особено запрашени помещения.
- Не мийте уреда с директна струя вода под налягане или корозивни вещества.
- Избягвайте удари в рафтове и скелета, тъй като съществува риск от падащи предмети.
- Не облягайте съдове с течности върху уреда, използвайте съответната поставка.
- В случай на пожар използвайте сух прахов пожарогасител. Не използвайте течни пожарогасители.
- Не сваляйте и не променяйте етикетите на уреда.
- Бъдете внимателни при транспортиране на уреда, когато температурата е под нулата. Водата в резервоара за мръсна вода и в маркучите може да замръзне, което би причинило сериозни повреди на уреда.
- Ако е необходима подмяна на части, поръчвайте ОРИГИНАЛНИ резервни части от оторизирани дистрибутори или търговски представители.
- Върнете уреда на обслужващия сервиз, ако не работи както обикновено или ако е повреден.
- За да гарантирате безопасната и правилна работа на уреда, осигурете извършването на планово техническо обслужване от упълномощен персонал или оторизирани дистрибутори или търговски представители в съответствие с плановете за поддръжка в съответните раздели на ръководството.
- Тази машина е предназначена единствено за почистване и не е проектирана за никакви други цели.
- Винаги поддържайте отворите чисти - без прах, косми и всякакви чужди тела, които биха могли да намалят притока на въздух. Не използвайте уреда, ако отворите са запушени.
- Използвайте уреда само когато е осигурено подходящо осветление.
- Този уред не е предназначен за използване от лица (включително деца) с физически, сензорни или умствени увреждания, или с недостатъчен опит и знания.
- Специално внимание е необходимо, когато се използва в близост до деца.
- Децата трябва бъдат наблюдавани, за да не си играят с уреда.
- По време на използване на уреда внимавайте да не причините щети или наранявания.
- Почистване и обслужване не трябва да се извършват от деца без надзор.
- Операторите трябва да бъдат подходящо инструктирани за използването на тези машини.
- Този уред включва заземителна връзка само за функционални цели
- Ако захранващият кабел е повреден, той трябва да бъде заменен от производителя, неговия сервизен агент или от подобни квалифицирани лица, за да се избегнат евентуални рискове.
- Извадете на щепсела от контакта по време на почистване или поддръжка и при подмяна на части или преобразуване на машината за друга функция

**ОПИСАНИЕ НА УРЕДА
КОНСТРУКЦИЯ НА МАШИНАТА**

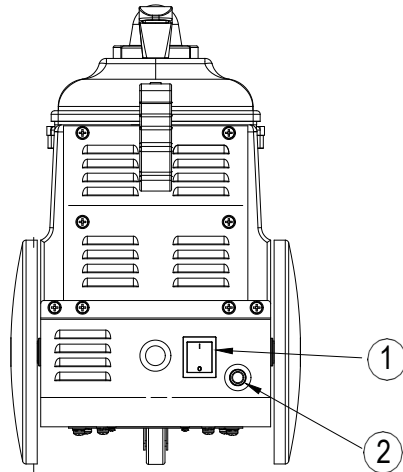


Фигура 1

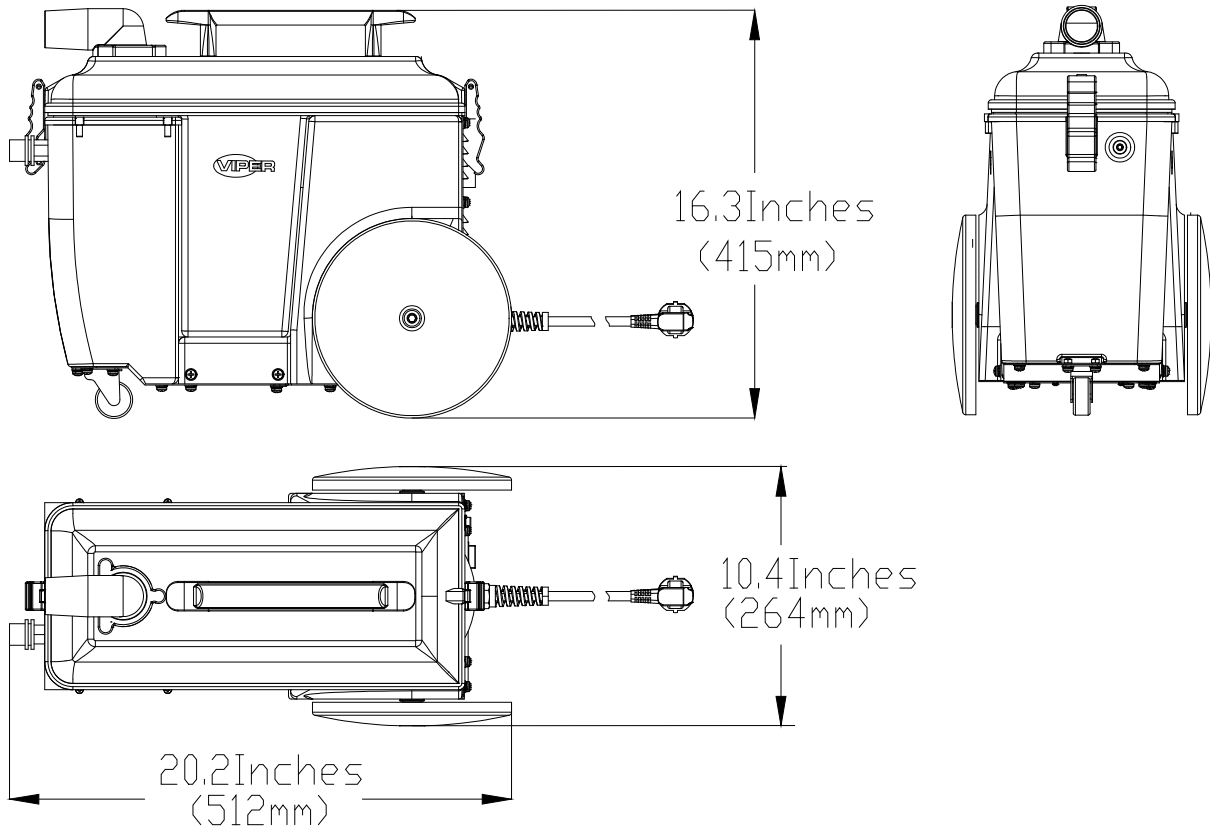
- | | |
|-------------------------------------|---|
| 1. Резервоар за почистващ разтвор | 7. Връзка на маркуча за почистващия разтвор |
| 2. Резервоар за отработения разтвор | 8. Сукателен маркуч |
| 3. Дръжка | 9. Маркуч за почистващия разтвор |
| 4. Транспортни колела | 10. Ръчен инструмент |
| 5. Предно колело | 11. Скоба |
| 6. Връзка на сукателния маркуч | 12. Синя чанта за принадлежности |

ПУЛТ ЗА УПРАВЛЕНИЕ

1. Ключ за захранването
2. Защита от претоварване



РАЗМЕРИ НА УРЕДА

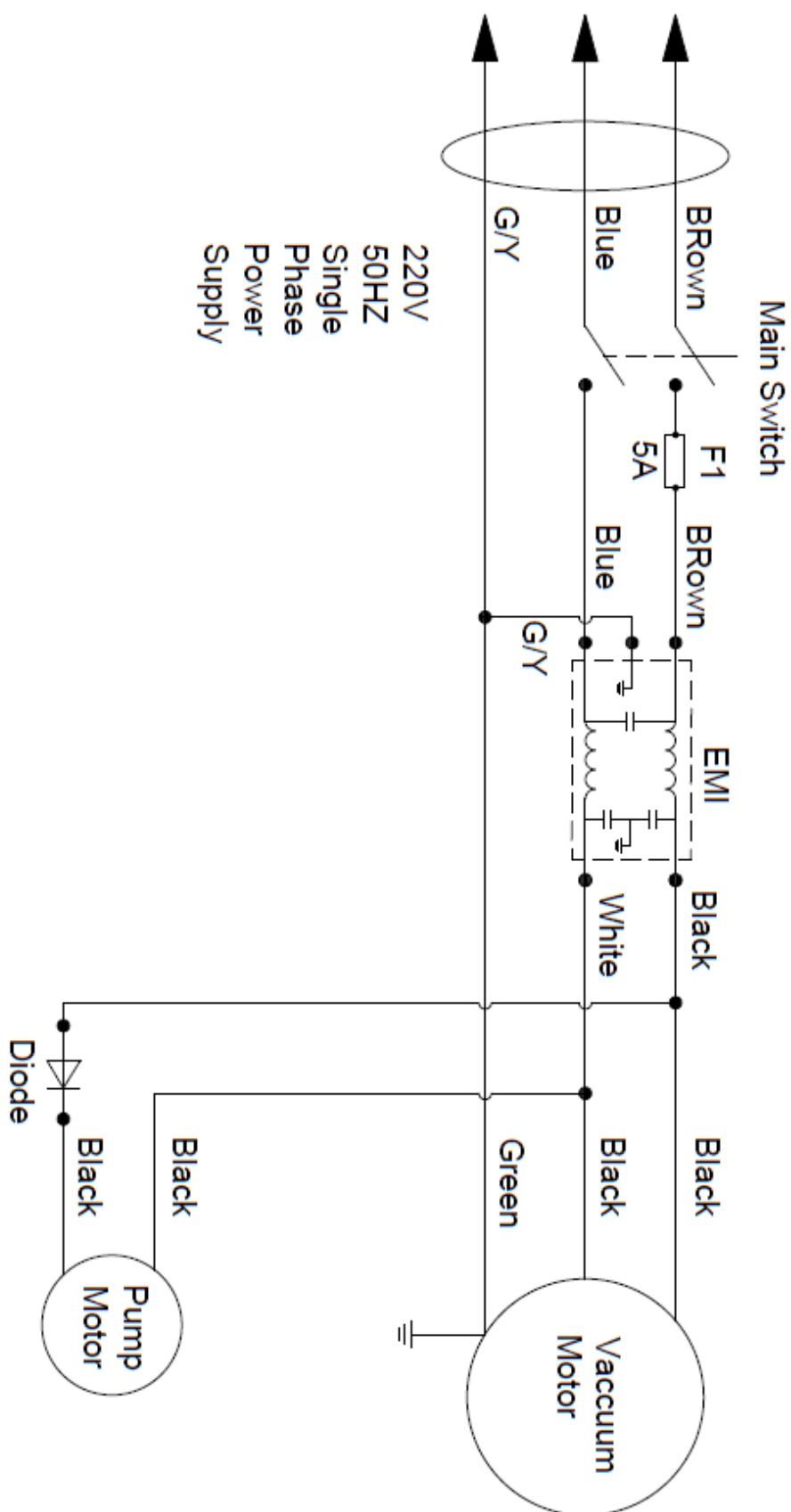


ТЕХНИЧЕСКИ ПАРАМЕТРИ

Модели	EU	UK	TURKEY
Основно описание	WOLF130		
Реф. № на продукта	50000589	50000604	50000603
Напрежение	220-240V		
Смукателен двигател	1000W		
Номинален ток при пълно натоварване	4.7 ампера		
Тегло	9.85kg		
Тегло с опаковката	29.8 паунда (13.5кг)		
Ниво на звукова мощност	80 dB		
Ниво на шума	67 dB A		
Налягане на помпата за разтвора	30 PSI (2 бара)		
Хидравлично налягане (макс. засмукване)	85инча воден стълб (21.8 KPa)		
Дължина на захранващия кабел	10 м, сигнално оранжево		
Ширина на почистващата наставка	4" (10.2cm)		
Обем на резервоара за почистващия и отработения разтвор	3.8L		
Дължина на смукателния маркуч и на маркуча за разтвора	3метра		
Размери Д x Ш x В	23.3 x 15.4 x 19.3 инча (59x 39 x 49cm)		

(*): По избор

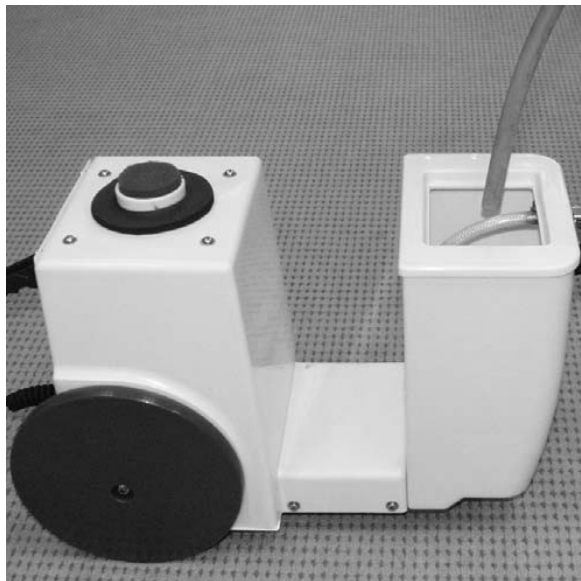
ЕЛЕКТРИЧЕСКА СХЕМА



ИНСТРУКЦИИ ЗА ЕКСПЛОАТАЦИЯ

Прочетете внимателно ръководството за оператора преди да използвате или обслужвате тази машина

- 1) С помощта на маркуч или кофа напълнете резервоара с максимум 1 галон вода (температурата на водата трябва да е под 50 °C).



Не използвайте запалими течности и не работете с машини в или в близост до запалими течности или пари

- 1) Свържете маркуча за разтвора и смукателния маркуч към машината.
- 2) Свържете захранващия кабел към заземен контакт. (вижте инструкциите за заземяване)

РАБОТА С МАШИНАТА**ПРЕДИ ОТСТРАНЯВАНЕТО НА ПЕТНА**

- 1) Проверете захранващия кабел за повреди. Сменете кабела, ако установите повреда.
- 2) Вакуумирайте килима, за да премахнете отпадъците, преди да почистите петното.

ПРЕМАХВАНЕ НА ПЕТНА

- 1) Поставете превключвателя на захранването в положение „I“.
ЗАБЕЛЕЖКА: Разтворът ще пръска само когато дръжката за пръскане (на ръчния инструмент) е изтеглена.
- 2) За да започнете почистването, дръпнете дръжката за пръскане (на ръчния инструмент) и започнете да дърпате инструмента назад върху мястото.
- 3) Освободете дръжката за пръскане, когато стигнете до края на мястото. Продължете да издърпвате ръчния инструмент още 4 инча, за да изсмучете излишния разтвор.



- 4) Продължете, докато петното не бъде премахнато.

ПОЛЕЗНИ СЪВЕТИ ПРИ РАБОТА С УРЕДА

- 1) Използвайте само студена вода. Топлата вода може да остави петно.
- 2) Непрекъснато проверявайте за образуване на пяна в резервоара за отработения разтвор.
Използвайте препоръчания от дистрибутора разтвор с контрол на пяната.
ЗАБЕЛЕЖКА: Прекомерното натрупване на пяна ще доведе до повреда на смукателния двигател.
- 3) Повторете почистването при силно замърсени участъци.
- 4) Когато извличането на отработения разтвор приключи или резервоарът за разтвор е празен, трябва да източите резервоара за отработения разтвор. (виж ИЗТОЧВАНЕ НА РЕЗЕРВОАРА)

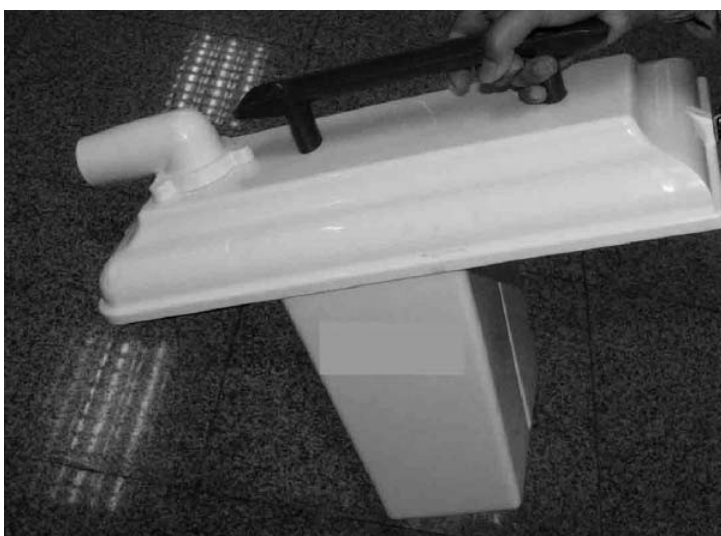
ИЗТОЧВАНЕ НА РЕЗЕРВОАРИТЕ

ИЗТОЧВАНЕ НА РЕЗЕРВОАРА ЗА ПОЧИСТВАЩИЯ РАЗТВОР

- 1) Изключете машината и я разединете от захранването.
- 2) Разкачете маркуча за разтвора и смукателния маркуч от предната страна на машината.
- 3) Откачете скобите на резервоара за отработения разтвор и свалете резервоара за отработения разтвор от машината.
- 4) Отнесете резервоара за разтвора до регламентираното място за изхвърляне и излейте съдържанието.

ИЗТОЧВАНЕ НА РЕЗЕРВОАРА ЗА ОТРАБОТЕНИЯ РАЗТВОР

- 1) Изключете машината и я разединете от захранването.
- 2) Откачете скобите на резервоара за отработения разтвор и свалете резервоара за отработения разтвор от машината.
- 3) Отнесете резервоара за отработения разтвор до регламентираното място за изхвърляне и изпразнете съдържанието.



- 4) Изплакнете резервоара за отработения разтвор с чиста вода.
- 5) Сглобете машината отново.

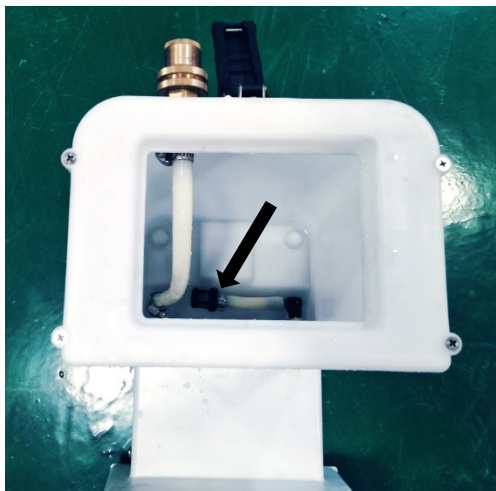
ПОДДРЪЖКА

За да поддържате работата на машината много години, моля, следвайте следните процедури за поддръжка.

!!! Винаги проверявайте, дали машината е изключена от контакта, преди да извършвате каквито и да е технически дейности или ремонти!!!

ЕЖЕДНЕВНА ПОДДРЪЖКА

- 1) Когато операцията по почистване приключи за деня, източете и изплакнете обилно резервоара за отработения разтвор с чиста вода.
- 2) Отстранете останалия разтвор от резервоара за разтвора.
- 3) Извадете смукателния филтър и изплакнете с чиста вода.
- 4) Сменете филтъра, когато е сух.



- 5) Свалете и проверете пръскащата дюза. Ако е необходимо, почистете дюзата.
ЗАБЕЛЕЖКА: Не почиствайте дюзата с остър предмет, тъй като това ще повреди дюзите.
- 6) Проверете четкащата лента и премахнете отпадъците или влакната от килима.
- 7) Проверете почистващата глава на ръчния инструмент и отстранете отпадъците или влакната от килима.
- 8) Почистете машината с неабразивен почистващ препарат.
- 9) Проверете захранващия кабел за евентуални повреди. Сменете го, ако е необходимо.

ЕЖЕМЕСЕЧНА ПОДДРЪЖКА

- 1) Промийте помпата и тръбопроводите с разтвор на оцетна киселина, за да се разтворят натрупаните химикали.

Инструкции за смесване:

- a) Смесете 8 унции разтвор на оцетна киселина с 1 галон вода и налейте в резервоара за разтвора. Включете превключвателя на смукателя/помпата.
 - b) Поставете главата на подовия инструмент върху пода и дръпнете спусъка за разтвора за една (1) минута.
 - c) Изключете машината и оставете останалия разтвор да престои в машината за една нощ.
 - d) На следващия ден изпръскайте останалия разтвор и изплакнете системата отново с 1 галон чиста вода.
- 2) Проверете машината за течове на вода.
 - 3) Проверете машината за разхлабени или липсващи гайки, винтове и болтове и при необходимост ги сменете.

СЪХРАНЕНИЕ НА МАШИНАТА

- 1) Преди да приберете машината, уверете се, че резервоарите за почистващия разтвор и за отработения разтвор са чисти и празни.
- 2) Съхранявайте машината в изправено положение на сухо място, като смукателния маркуч е отстранен за да се осигури циркулация на въздуха.

ЗАБЕЛЕЖКА: Ако съхранявате машината на място, където може да замръзне, уверете се, че и резервоарите, и тръбопроводите за разтвора са празни и са сухи!

ОТСТРАНЯВАНЕ НА ОСНОВНИ НЕИЗПРАВНОСТИ

Проблем	Вероятна причина	Разрешение
Машината не работи	Не е включена към източник на захранване	Включете в заземен контакт
	Неизправен захранващ кабел	Свържете се с дистрибутора
	Неизправен удължителен захранващ кабел	Заменете с нов удължителен захранващ кабел
	Прекъсвачът на сградата се е изключил	Включете отново прекъсвача
Помпата за разтвор не работи	Превключвателят на смукателя/помпата не е включен	Включете превключвателя
	Неизправен превключвател на смукателя/помпата	Свържете се с дистрибутора
	Неизправна бобина	Свържете се с дистрибутора
	Неизправна помпа за разтвора	Свържете се с дистрибутора
	Помпата е прегряла	Определете причината и оставете помпата да се охлади за 30 минути
	Разхлабено или повредено окабеляване	Свържете се с дистрибутора
Смукателния двигател не работи	Превключвателят на смукателя/помпата не е включен	Включете превключвателя
	Неизправен превключвател на смукателя/помпата	Свържете се с дистрибутора
	Задейства се предпазителя за прегряване на смукателния двигател	Проверете за запушване и оставете да се охлади за 30 минути
	Неизправен смукателен двигател	Свържете се с дистрибутора
	Износени графитни четки	Свържете се с дистрибутора
	Разхлабено или повредено окабеляване	Свържете се с дистрибутора
Лошо засмукване	Изтичане на въздух около уплътнението на смукателя	Уверете се, че капакът на смукателя е здраво затегнат
	Повредено или износено смукателно уплътнение	Сменете уплътнението
	Разхлабени връзки на смукателните маркучи	Уверете се, че връзките на смукателните маркучи са плътни
	Дефектен смукателен маркуч	Сменете смукателния маркуч
	Разхлабени маншети на смукателния маркуч	Уверете се, че маншетите са добре закрепени към корпуса
	Смукателния маркуч е запушен	Отстранете препятствията от смукателния маркуч
Неравномерно или без разтвор пръскане	Резервоарът за разтвор е празен или недостатъчно пълен	Напълнете резервоара за разтвор
	Превключвателят на смукателя/помпата не е включен	Включете превключвателя
	Замърсени или запушени дюзи	Почистете или сменете дюзите
	Неправилни размер на дюзата или ъгъл на пръскане	Свържете се с дистрибутора
	Износени дюзи	Свържете се с дистрибутора
	Неизправна помпа за разтвора	Свържете се с дистрибутора
	Запушен филтър на резервоара за разтвор	Почистете или сменете филтъра
	Притиснат или извит маркуч за разтвора	Проверете за препятствия и прегъвания и пренасочете или заменете, ако е необходимо

Разрешаване на проблеми**БРАКУВАНЕ**

Уредът трябва да бъде унищожен от институция за третиране на отпадъци.

Преди да скрапирате уреда, отстранете и отделете следните материали, които трябва да се изхвърлят в съответствие с действащото законодателство.

- Държач на четка/почистваща подложка
- Пластмасови маркучи и елементи
- Електрически и електронни компоненти (*)

(*) Моля, свържете се с наш сервизен център, за да предадете електрическите и електронните компоненти за унищожаване.

Състав на материалите на уреда и рециклируемост

Тип	Процент рециклиране	WOLF130 Масови проценти %
Електродвигатели - разни	20%	22%
Желязосъдържащи материали	80%	20%
Изоляция на кабели	80%	1%
Течности	100%	0%
Нерициклируеми пластмасови материали	0%	1%
Рециклируеми пластмасови материали	100%	45%
Гума	20%	1%

ÚVOD**POZNÁMKA**

Čísla v závorkách se vztahují k součástem uvedeným v kapitole Popis přístroje.

ÚČEL A OBSAH PŘÍRUČKY

Účelem tohoto návodu k použití je poskytnout osobě obsluhující zařízení všechny základní informace a technické vlastnosti, provoz zařízení a jeho nečinnost, náhradní díly a bezpečnostní podmínky atd.

Před zahájením jakýchkoli prací na přístroji je nutné, aby si pracovníci obsluhy a kvalifikovaní technici přečetli Návod k použití. V případě pochybností ohledně interpretace pokynů či jakýchkoli dalších informací prosím kontaktujte naši společnost.

JAK UCHOVÁVAT TENTO NÁVOD K POUŽITÍ

Návod k použití je nutné uložit v blízkosti přístroje, uvnitř adekvátní skříně, mimo dosah tekutin a jiných látek, které by ji mohly poškodit.

PROHLÁŠENÍ O SHODĚ

Prohlášení o shodě je součástí dodávky přístroje a potvrzuje shodu přístroje s platným zákonem.

**POZNÁMKA**

Kopie původního prohlášení o shodě jsou poskytovány spolu s dokumentací přístroje.

PŘÍSLUŠENSTVÍ A ÚDRŽBA

Všechny potřebné úkony, údržbu a opravy musí provádět kvalifikovaný personál nebo servisní střediska naší společnosti. Je nutné používat POUZE autorizované náhradní díly a příslušenství.

Pokud je třeba objednat náhradní díly nebo příslušenství, kontaktujte prosím naše oddělení péče o zákazníky.

ZMĚNY A VYLEPŠENÍ

Naše produkty neustále zlepšujeme a vyhrazujeme si právo na změny a vylepšení produktů, a to bez dalších informací.

ÚČEL POUŽITÍ

Tento přístroj je určen pro komerční použití. Je konstruován pro použití ve vnitřním prostředí a není určen k žádnému jinému použití. Používejte pouze doporučené příslušenství.

ÚDAJE PRO IDENTIFIKACI PŘÍSTROJE

Výrobní číslo a název modelu přístroje jsou vyznačeny na výrobním štítku.

Tyto informace jsou užitečné. Pomocí následující tabulky si poznamenejte identifikační údaje přístroje pro případnou potřebu objednání náhradních dílů.

MODEL PŘÍSTROJE

VÝROBNÍ ČÍSLO PŘÍSTROJE.....

DODÁVKA A VYBALENÍ

Pečlivě zkontrolujte přepravní karton, zda nevykazuje známky poškození. Poškození kartonu neprodleně nahlase přepravci.

Zkontrolujte obsah kartonu a ujistěte se, že je karton kompletní. Pokud něco chybí, kontaktujte svého distributora.

Obsah:

- Čistič na koberce
- Sací hadice a hadice na roztok
- Ruční hubice

BEZPEČNOST

Následující symboly označují potenciálně nebezpečné situace. Tyto informace si vždy pozorně přečtěte a přijměte veškerá nutná opatření na ochranu majetku a zdraví osob.

VIDITELNÉ SYMBOLY NA PŘÍSTROJI**VAROVÁNÍ!**

Před jakýmkoli úkonem obsluhou přístroje si pečlivě přečtěte všechny pokyny.

**VAROVÁNÍ!**

Nemyjte přístroj pod přímým nebo tlakovým proudem vody.

SYMBOLY, KTERÉ SE OBJEVUJÍ NA POKYNECH K POUŽITÍ**NEBEZPEČÍ!**

Označuje nebezpečnou situaci s nebezpečím s následkem smrti pracovníků obsluhy.

**VAROVÁNÍ!**

Označuje potenciální riziko zranění osob.

**UPOZORNĚNÍ!**

Označuje upozornění nebo poznámku související s důležitými nebo užitečnými funkcemi. Věnujte pozornost odstavcům označeným tímto symbolem.

**POZNÁMKA**

Vztahuje se k důležitým nebo užitečným funkcím.

**DOPORUČENÍ**

Označuje nutnost přečíst si před jakýmkoli úkonem Návod k použití.

VŠEOBECNÉ BEZPEČNOSTNÍ POKYNY

Obecně - Tento čistič na koberce musí být během používání uzemněn, aby chránil obsluhu před úrazem elektrickým proudem. Přístroj je vybaven uzemňovací zástrčkou se třemi kontakty, která pasuje do vhodné zásuvky s uzemněním. Zelený (nebo zelený a žlutý) vodič v kabelu je zemnicí vodič. Nikdy nepřipojujte tento vodič k jinému než uzemňovacímu kolíku připojovací zástrčky.

Tento přístroj je určen pro použití v obvodu se jmenovitým napětím 220-240 V a je vybaven uzemňovací zástrčkou, která se podobá zástrčce znázorněné na obrázku níže. Ujistěte se, že je přístroj připojen k zásuvce se stejným uspořádáním, jako má zástrčka. S tímto přístrojem by neměl být používán žádný adaptér.

Níže jsou uvedena zvláštní varování a upozornění informující o případných poškozeních týkajících se osob a přístroje.

**NEBEZPEČÍ!**

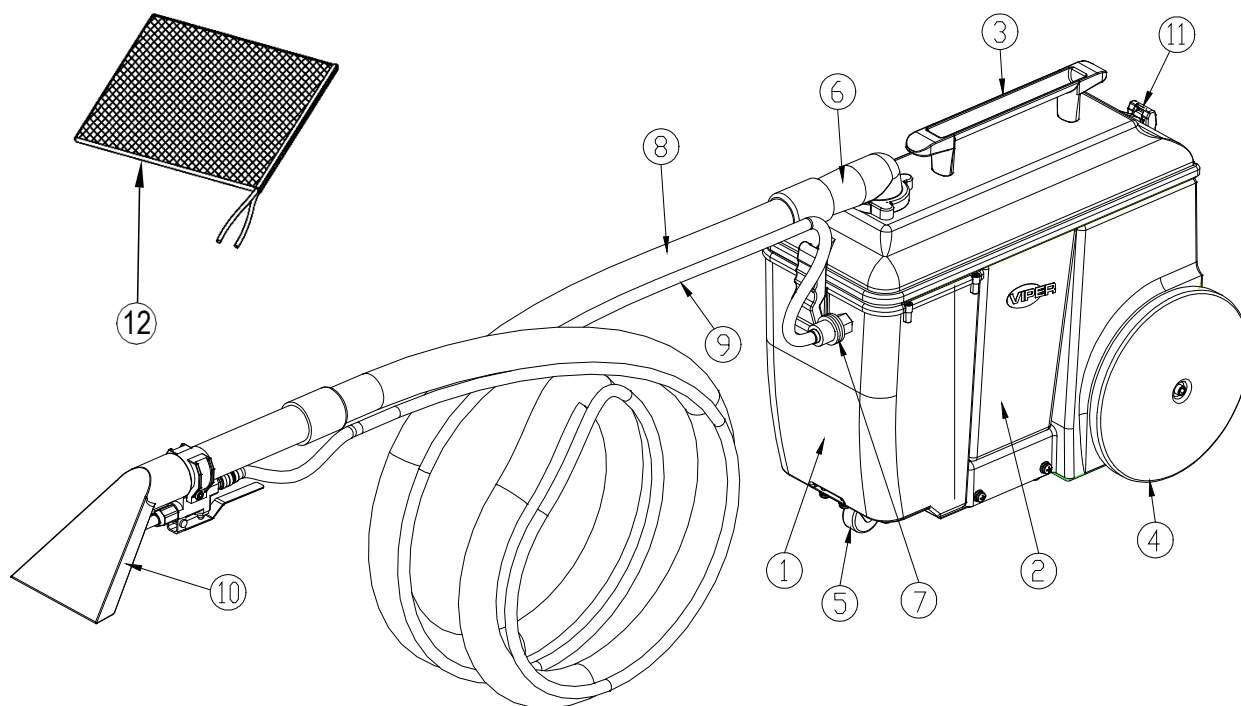
- Tento přístroj musí provozovat vyškolení a autorizovaní pracovníci podle pokynů v příručce.
- Před prováděním čištění, údržby, opravy nebo výměny si pečlivě přečtěte všechny pokyny a ujistěte se, že je přístroj vypnutý.
- S přístrojem nepracujte v blízkosti toxických, nebezpečných, hořlavých a/nebo explozivních prachových a tekutých materiálů nebo výparů. Tento stroj není vhodný pro sběr nebezpečných prášků.
- Při práci v blízkosti elektrických částí nenoste žádné šperky.
- Nepracujte pod zvednutým přístrojem, který nepodpírají bezpečnostní stojany.

**VAROVÁNÍ!**

- Tento stroj je určen pro **KOMERČNÍ ZPŮSOB POUŽITÍ**, například v hotelech, školách, nemocnicích, továrnách, obchodech, kancelářích a půjčovnách.
- Stroje ponechané bez dozoru musí být nutné zajistit proti neúmyslnému pohybu.
- Aby nedošlo k neoprávněnému použití přístroje, musí být zdroj napájení vypnut nebo uzamčen.
- Před každým použitím přístroje pečlivě zkontrolujte. Před použitím se ujistěte, že všechny komponenty byly správně smontovány. Uvolněné součástky mohou způsobit poškození majetku a zranění osob.
- Nikdy přístroj nepřemísťujte tažením za kabel. Nedovolte, aby kabel vedl přes zavřené dveře či přes ostré hrany a rohy. Nepřejíždějte přístrojem kabel. Držte kabel mimo dosah horkých povrchů.
- Chcete-li snížit riziko požáru, úrazu elektrickým proudem nebo zranění, před opuštěním přístroje se ujistěte, že je vypnutý.
- používejte a ukládejte v suchých podmínkách interiéru. Přístroj se nesmí používat ve venkovních podmínkách.
- Teplota pro skladování a provozní teplota přístroje se musí pohybovat mezi 0 °C a +40 °C, vlhkost vzduchu musí být v rozmezí 30 % - 95 %.
- Přístroj nepoužívejte na plochách se sklonem převyšujícím uvedenou specifikaci, jak je znázorněno výše.
- Při použití a manipulaci s podlahovými čisticími prostředky postupujte dle pokynů na etiketách čisticích prostředků a noste vhodné rukavice a další ochranné prostředky.
- V případě poruchy přístroje se ujistěte, že porucha není způsobena nedostatečnou údržbou. V případě potřeby požádejte o pomoc autorizovaného pracovníka či autorizované servisní středisko.

- Proveďte všechna nezbytná opatření, aby se do pohyblivých částí zařízení nezachytily vlasy, šperky a volné oblečení.
- Přístroj nepoužívejte zejména v prašných prostorách.
- Přístroj nemyjte hadicí nebo tlakovými vodními tryskami či korozními látkami.
- Dbejte na to, abyste nenarazili do regálů či lešení, zejména tam, kde je riziko padajících předmětů.
- Neopírejte o přístroj nádoby s tekutinami. Použijte vhodný držák.
- V případě požáru použijte suchý práškový hasicí přístroj. Nepoužívejte tekuté hasicí přístroje.
- Neodstraňujte ani neupravujte štítky na přístroji.
- Pokud teplota klesne pod bod mrazu, věnujte při přepravě zařízení zvýšenou pozornost. Voda v nádrži na vodu a v hadicích by mohla zmraznout a přístroj vážně poškodit.
- Pokud je třeba vyměnit náhradní díly, objednejte si ORIGINÁLNÍ náhradní díly od autorizovaných prodejců.
- Pokud přístroj nepracuje jako obvykle nebo pokud je poškozený, vraťte ho do servisního střediska.
- Zajištění správného a bezpečného provozu přístroje je v příslušné kapitole tohoto návodu uvedena plánovaná údržba, kterou smí provádět pouze autorizovaní pracovníci nebo autorizovaní prodejci či maloobchodní dodavatelé.
- Tento přístroj je pouze nástrojem na úklid, neslouží a není určen k žádnému jinému účelu.
- Otvory přístroje vždy udržujte od prachu, vlasů a jiných cizích látek, které by mohly snížit proudění vzduchu. Zařízení nepoužívejte, pokud jsou otvory zanesené.
- Přístroj používejte pouze v prostorách s řádným osvětlením.
- Tento stroj není určen k použití osobami (včetně dětí) se sníženými fyzickými, smyslovými nebo mentálními schopnostmi nebo s nedostatkem zkušeností a znalostí.
- Pokud je přístroj používán v blízkosti dětí, je nutná zvýšená pozornost.
- Děti by měly být pod dozorem, aby si s přístrojem nehrály.
- Při použití tohoto stroje dávejte pozor, abyste někoho nezranili či nepoškodili okolní předměty.
- Čištění a údržbu stroje nesmí provádět děti bez dozoru.
- Obsluhu je nutno řádně poučit o použití těchto strojů.
- Tento spotřebič je uzemněn pouze pro funkční účely
- Pokud je napájecí kabel poškozen, musí být vyměněn výrobcem, jeho servisním zástupcem nebo podobně kvalifikovanou osobou, aby se předešlo nebezpečí.
- Během čištění nebo údržby a při výměně dílů nebo přestavbě přístroje na jinou funkci odpojte zástrčku ze zásuvky

POPIS PŘÍSTROJE
KONSTRUKCE PŘÍSTROJE

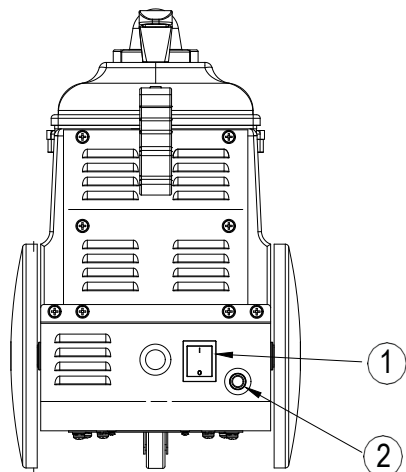


Obrázek 1

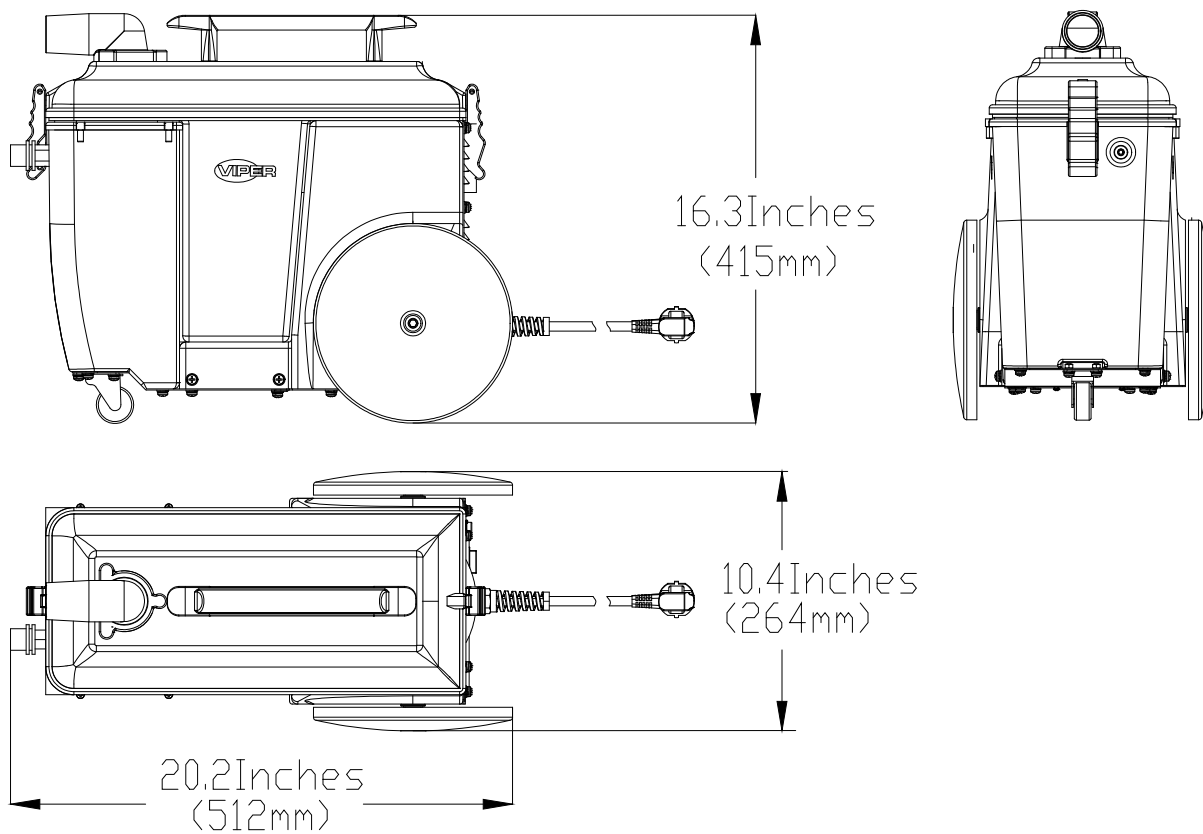
- | | |
|--------------------------|----------------------------------|
| 1. Nádrž na roztok | 7. Připojení hadice na roztok |
| 2. Sběrná nádrž | 8. Sací hadice |
| 3. Rukojeť | 9. Hadice na roztok |
| 4. Převážná kolečka | 10. Ruční hubice |
| 5. Přední kolečko | 11. Svorka |
| 6. Připojení sací hadice | 12. Modrá taška na příslušenství |

OVLÁDACÍ PANEL

1. Spínač napájení
2. Ochrana proti přetížení



VELIKOST STROJE

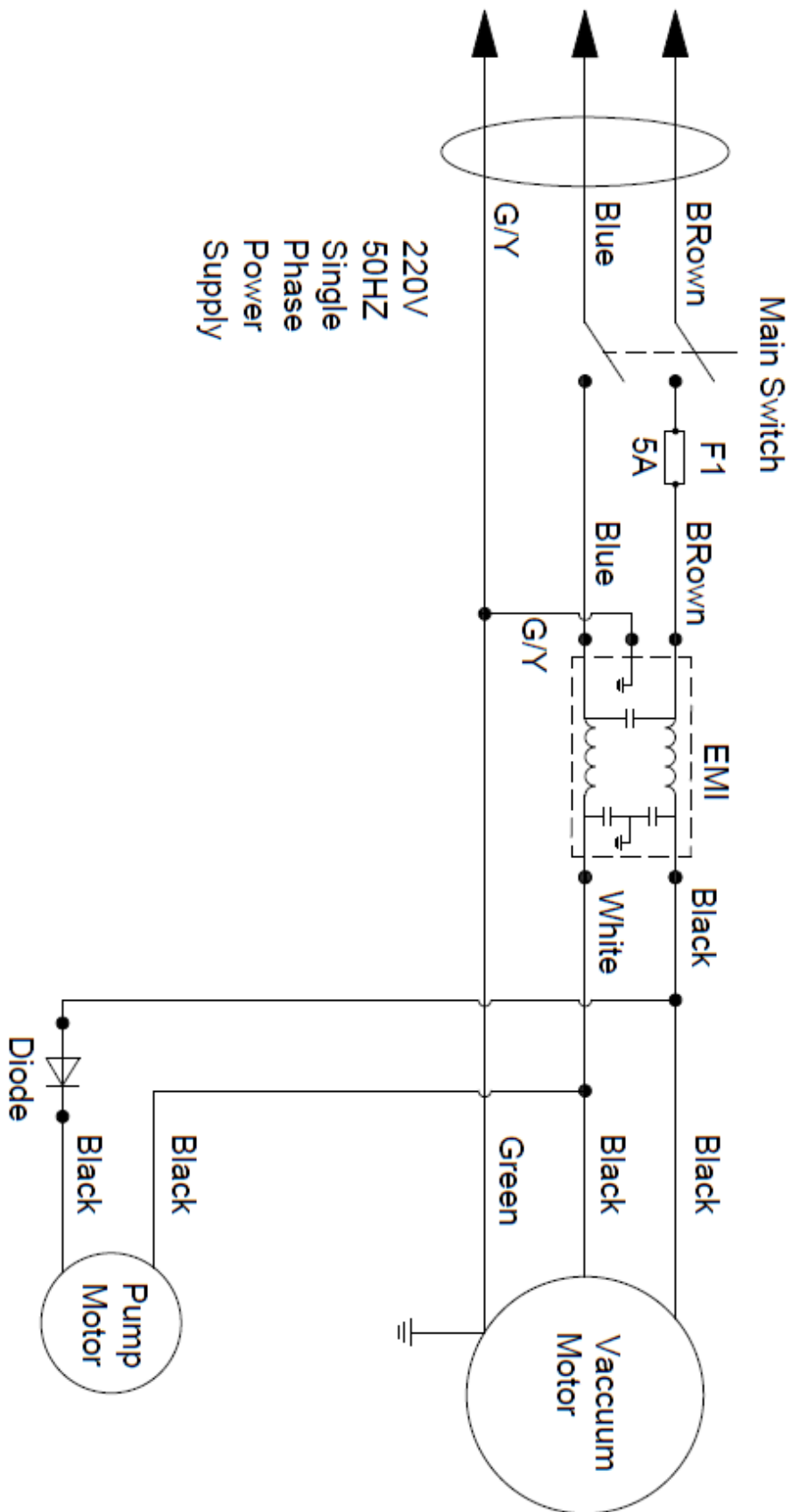


TECHNICKÉ PARAMETRY

Modely	EU	UK	TURKEY
Hlavní popis	WOLF130		
Skladový ref. kód	50000589	50000604	50000603
Napětí	220-240V		
Motor sání	1000W		
Odběr proudu	4.7 A		
Hmotnost	9.85kg		
Přepravní hmotnost	29.8 lb (13.5kg)		
Hladina akustického výkonu	80 dB		
Hladina hlučnosti tlaku	67 dB A		
Tlak čerpadla roztoku	30 PSI (2bar)		
Vztlak vody (max. podtlak)	85 palců H ₂ O (21.8 kPa)		
Délka napájecího kabelu	10 m, bezpečnostní oranžový		
Šířka čistící dráhy	4 palce (10.2 cm)		
Objem nádrže na roztok a sběrné nádrže	3.8L		
Délka sací hadice a hadice na roztok	3m		
Rozměr D x Š x V	23,3 x 15,4 x 19,3 palce (59 x 39 x 49 cm)		

(*): Volitelné

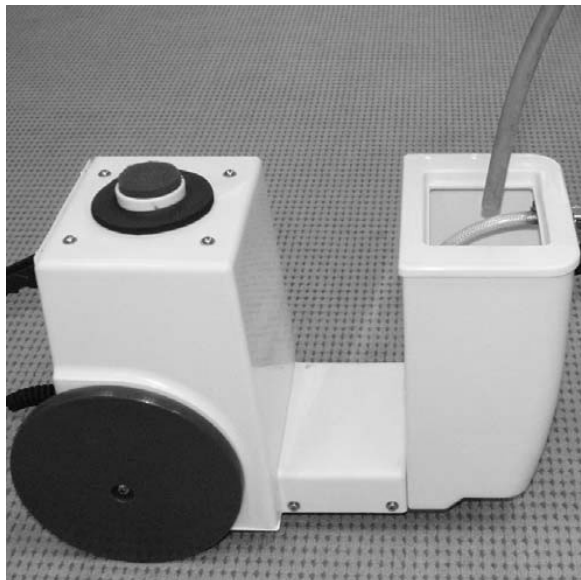
SCHÉMA ZAPOJENÍ



PROVOZNÍ PŘÍRUČKA

Před uvedením přístroje do provozu nebo před jeho opravou si pečlivě přečtěte návod k obsluze

- 1) Pomocí hadice nebo kbelíku naplňte do nádrže maximálně 1 galon vody (teplota vody musí být nižší než 50 °C).



Nepoužívejte hořlavé kapaliny ani neprovozujte stroj v blízkosti hořlavých kapalin nebo par

- 1) Připojte k přístroji hadici na roztok a sací hadici.
- 2) Připojte napájecí kabel k uzemněné elektrické zásuvce. (viz pokyny k uzemnění)

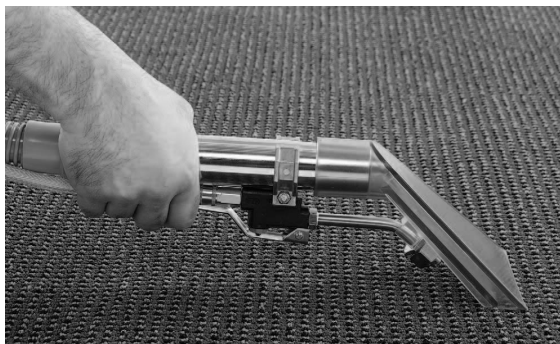
PROVOZ PŘÍSTROJE

PŘED ODSTRANĚNÍM SKVRN

- 1) Zkontrolujte, zda není napájecí kabel poškozen. Pokud zjistíte poškození, kabel vyměňte.
- 2) Před odstraňováním nečistot koberec vyluxujte, abyste odstranili nečistoty.

ODSTRANĚNÍ SKVRN

- 1) Přepněte vypínač do polohy „I“.
POZNÁMKA: Roztok bude stříkat pouze tehdy, když zatáhnete za stříkací rukojeť (na ruční hubici).
- 2) Chcete-li zahájit čištění, zatáhnete za stříkací rukojeť (ruční hubice) a začnete přes místo s nečistotou táhnout hubicí směrem dozadu.
- 3) Jakmile dosáhnete konce skvrny, uvolněte stříkací rukojeť. Pokračujte v tažení ruční hubice o další 4 palce, abyste zachytili přebytečný roztok.



- 4) Pokračujte, dokud není skvrna odstraněna.

PROVOZNÍ RADY

- 1) Používejte pouze studenou vodu. Horká voda může vytvořit skvrnu.
- 2) Neustále kontrolujte, zda se ve sběrné nádrži nevytváří pěna. Použijte řešení pro kontrolu pěny doporučené distributorem.
POZNÁMKA: Nadměrné hromadění pěny způsobí poškození motoru sání.
- 3) U silně znečištěných míst postup čištění zopakujte.
- 4) Když je sběr znečištěného roztoku dokončen nebo když je nádrž na roztok prázdná, musíte sběrnou nádrž vypustit. (viz VYPOUŠTĚNÍ NÁDRŽE)

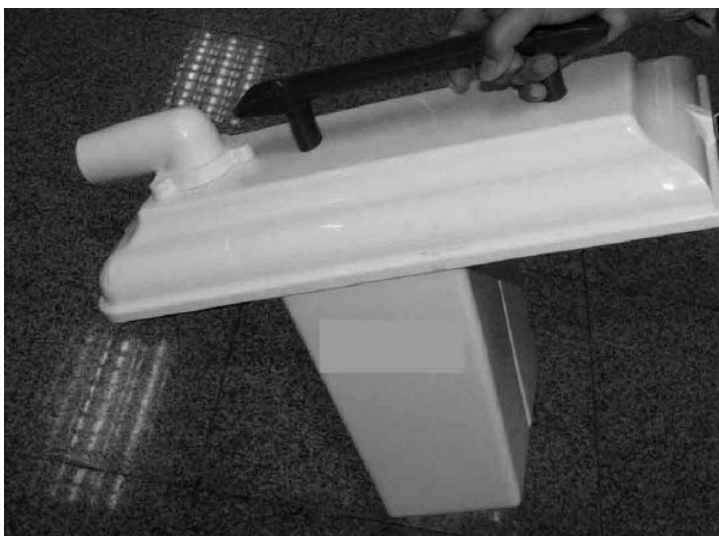
VYPOUŠTĚNÍ NÁDRŽÍ

VYPOUŠTĚNÍ NÁDRŽE NA ROZTOK

- 1) Vypněte přístroj a odpojte jej od zdroje napájení.
- 2) Odpojte od přední části stroje hadici na roztok a sací hadici.
- 3) Odpojte svorky na sběrné nádrži a vyjměte sběrnou nádrž z přístroje.
- 4) Odneste nádrž na roztok na schválené vypouštěcí místo a vylijte ji.

VYPOUŠTĚNÍ SBĚRNÉ NÁDRŽE

- 1) Vypněte přístroj a odpojte jej od zdroje napájení.
- 2) Odpojte svorky na sběrné nádrži a vyjměte sběrnou nádrž z přístroje.
- 3) Odneste sběrnou nádrž na schválené vypouštěcí místo a vylijte ji.



- 4) Opláchněte sběrnou nádrž čistou vodou.
- 5) Znovu přístroj sestavte.

ÚDRŽBA

Chcete-li, aby stroj po mnoho let fungoval dobře, dodržujte následující postupy údržby.

!!! Před prováděním jakékoli údržby nebo opravy se vždy ujistěte, že je stroj odpojen ze zásuvky!!!

KAŽDODENNÍ ÚDRŽBA

- 1) Když je na konci dne čištění dokončeno, vylijte sběrnou nádrž a důkladně ji opláchněte čistou vodou.
- 2) Vylijte zbývající roztok z nádrže na roztok.
- 3) Vyjměte sací filtr a opláchněte jej čistou vodou.
- 4) Až filtr uschne, vraťte jej na místo.



- 5) Demontujte a zkontrolujte stříkací trysku. V případě potřeby trysku vyčistěte.

POZNÁMKA: Nečistěte trysky špičatým předmětem, protože by tak došlo k jejich poškození.

- 6) Zkontrolujte proužek kartáče a odstraňte z něj veškeré nečistoty či vlákna z koberce.
- 7) Zkontrolujte sběrnou ruční hubici a odstraňte z ní veškeré nečistoty či vlákna z koberce.
- 8) Očistěte přístroj neabrazivním čisticím prostředkem.
- 9) Zkontrolujte, zda není poškozený napájecí kabel. V případě potřeby jej vyměňte.

MĚSÍČNÍ ÚDRŽBA

- 1) Propláchněte čerpadlo a trubky roztokem kyseliny octové, která rozpustí veškeré usazené chemikálie.
Pokyny pro míchání:
 - a. Namíchejte si 8 uncí roztoku kyseliny octové s 1 galonem vody a nalijte směs do nádrže na roztok. Zapněte vypínač vysávání/čerpadla.
 - b. Umístěte ruční hubici na podlahový odtok a na jednu (1) minutu stiskněte spoušť pro čerpání roztoku.
 - c. Vypněte stroj a nechejte zbývající roztok působit v přístroji přes noc.
 - d. Následující den vystříkejte zbývající roztok a propláchněte systém znovu 1 galonem čisté vody.
- 2) Zkontrolujte přístroj, zda nedochází k úniku vody.
- 3) Zkontrolujte, zda na přístroji nejsou uvolněné nebo chybějící matice či šrouby a podle potřeby je vyměňte.

SKLADOVÁNÍ PŘÍSTROJE

- 1) Před uložením přístroje se ujistěte, že jsou nádrž na roztok a sběrná nádrž čisté a bez jakýchkoli roztoků.
- 2) Přístroj skladujte ve svislé poloze na suchém místě s odpojenou sací hadicí, aby byla zajištěna cirkulace vzduchu.
POZNÁMKA: Pokud skladujete přístroj na místě, kde hrozí mráz, ujistěte se, že se v žádné z nádrží ani v trubkách na roztok ne-nachází voda a že jsou suché!

ZÁKLADNÍ ŘEŠENÍ PROBLÉMŮ

Problém	Možné příčiny	Řešení
Přístroj nefunguje	Není připojen ke zdroji napájení	Zapojte jej do uzemněné zásuvky
	Vadný napájecí kabel	Kontaktujte distributora
	Vadný prodlužovací napájecí kabel	Vyměňte jej za nový prodlužovací napájecí kabel
	Je rozpojený jistič v budově	Znovu nahod'te jistič
Čerpadlo roztoku nefunguje	Spínač sání/čerpádkla není zapnutý	Zapněte spínač
	Vadný spínač sání/čerpádkla	Kontaktujte distributora
	Vadný elektromagnet	Kontaktujte distributora
	Závada čerpádkla roztoku	Kontaktujte distributora
	Přehřátí čerpádkla	Zjistěte příčinu a nechte čerpadlo 30 minut vychladnout
	Uvolněné nebo poškozené vedení	Kontaktujte distributora
Motor sání nefunguje	Spínač sání/čerpádkla není zapnutý	Zapněte spínač
	Vadný spínač sání/čerpádkla	Kontaktujte distributora
	Byla aktivována pojistka proti přehřátí motoru sání	Zkontrolujte ucpání a nechte 30 minut vychladnout
	Vadný motor sání	Kontaktujte distributora
	Opotřebované uhlíky	Kontaktujte distributora
	Uvolněné nebo poškozené vedení	Kontaktujte distributora
Špatný výkon sání	Vzduch uniká kolem izolačního těsnění	Ujistěte se, že je víčko sběrné nádrže pevně utaženo
	Poškozené nebo opotřebované těsnění sání	Vyměňte těsnění
	Uvolněné přípojky sací hadice	Zkontrolujte, zda jsou přípojky sací hadice těsné
	Vadná sací hadice	Vyměňte sací hadici
	Uvolněné manžety sací hadice	Zajistěte, aby byly manžety připevněny k pouzdru
	Ucpaná sací hadice	Odstraňte překážku ze sací hadice
Nerovnoměrný nebo žádný postřik roztokem	Nádrž na roztok je prázdná nebo téměř prázdná	Naplňte nádrž na roztok
	Spínač sání/čerpádkla není zapnutý	Zapněte spínač
	Znečištěné nebo ucpané špičky trysky	Vyčistěte nebo vyměňte špičky trysky
	Nesprávná velikost špičky trysky nebo úhel stříkání	Kontaktujte distributora
	Opotřebované špičky trysky	Kontaktujte distributora
	Závada čerpádkla roztoku	Kontaktujte distributora
	Zanesený filtr nádrže na roztok	Vyčistěte nebo vyměňte filtr
	Skřípnutá nebo zauzlená hadice na roztok	Zkontrolujte, zda není hadice ucpaná a zauzlená, v případě potřeby ji natáhněte nebo vyměňte

ŘEŠENÍ PROBLÉMŮ**LIKVIDACE**

K likvidaci použijte kvalifikované zařízení pro likvidaci odpadu.

Před likvidací přístroje prosím vyjměte a oddělte níže uvedené materiály, které musí být řádně recyklovány dle příslušných zákonů a předpisů.

- Držák kartáče/podložky
- Plastové hadice a plastové součásti
- Elektrické a elektronické součásti (*)

(*) Pro likvidaci veškerých elektrických a elektronických součástek se prosím obraťte na naše servisní středisko.

Materiál strojea jeho recyklovatelnost

Typ	Recyklovatelné procento	WOLF130 hmotnostní procento %
Elektrické motory – různé	20%	22%
Železité materiály	80%	20%
Kabelové svazky	80%	1%
Kapaliny	100%	0%
Plastový nerecyklovatelný materiál	0%	1%
Plastový recyklovatelný materiál	100%	45%
Guma	20%	1%

EINFÜHRUNG



HINWEIS

Die Ziffern in Klammern beziehen sich auf die Komponenten im Kapitel Beschreibung des Geräts.

ZWECK UND INHALT DER ANLEITUNG

Das vorliegende Bedienungshandbuch soll dem Bediener alle grundlegenden Informationen vermitteln und ihn mit den technischen Eigenschaften, dem Betrieb, dem Gerätestillstand, den Ersatzteilen sowie Sicherheitsbedingungen vertraut machen.

Vor jeglichem Geräteeinsatz müssen sowohl Bediener als auch qualifizierte Techniker das vorliegende Bedienungshandbuch lesen. Wenden Sie sich in Zweifelsfällen bezüglich der Auslegung der Anweisungen oder für weiterführende Informationen an unser Unternehmen.

AUFBEWAHRUNG DIESES BEDIENUNGSHANDBUCHES

Diese Gebrauchsanleitung muss in Gerätenähe in einem geeigneten Fach und geschützt vor Flüssigkeiten und anderen Substanzen, die sie beschädigen könnten, aufbewahrt werden.

KONFORMITÄTSERKLÄRUNG

Die Konformitätserklärung wird mit dem Gerät geliefert und zertifiziert, dass das Gerät den geltenden gesetzlichen Vorschriften entspricht.



HINWEIS

Die Kopien der Original-Konformitätserklärung werden zusammen mit den Geräteunterlagen zur Verfügung gestellt.

ERSATZTEILE UND INSTANDHALTUNG

Alle notwendigen Betriebs-, Wartungs- und Reparaturmaßnahmen dürfen nur von qualifiziertem Personal oder von einer von unserem Unternehmen bestellten Reparaturwerkstatt durchgeführt werden. Es dürfen AUSSCHLIESSLICH Original-Ersatzteile oder ausdrücklich genehmigte Ersatz- und Zubehörteile verwendet werden.

Kontaktieren Sie den Kundendienst unseres Unternehmens, wenn Sie eine Dienstleistung benötigen oder Zubehör- bzw. Ersatzteile erwerben möchten.

ÄNDERUNGEN UND VERBESSERUNGEN

Wir verpflichten uns zur kontinuierlichen Verbesserung unserer Produkte und behalten uns als Unternehmen das Recht vor, ohne Vorankündigung Änderungen und Verbesserungen an den Geräten vorzunehmen.

ANWENDUNGSBEREICH

Diese Maschine ist für den kommerziellen Gebrauch vorgesehen. Sie ist für den Einsatz in Innenräumen konzipiert und für keine andere Verwendung bestimmt. Verwenden Sie nur empfohlenes Zubehör.

GERÄTEIDENTIFIKATIONS DATEN

Seriennummer und Modellname des Geräts befinden sich auf dem Typenschild.

Diese Informationen sind nützlich. Notieren Sie anhand der folgenden Tabelle die Geräteidentifizierungsdaten, wenn Ersatzteile für das Gerät erforderlich sind.

GERÄTEMODELL
GERÄTESERIENNUMMER.....

TRANSPORT UND VERPACKUNG

Überprüfen Sie den Versandkarton sorgfältig auf Anzeichen von Beschädigungen. Melden Sie Schäden am Karton sofort dem Spediteur.

Überprüfen Sie den Kartoninhalt, um sicherzustellen, dass der Karton vollständig ist. Wenden Sie sich an Ihren Händler, wenn etwas fehlt.

Inhalt:

- Teppich-Spotter
- Saug- und Lösungsschläuche
- Handgriff

SICHERHEIT

Die folgenden Symbole zeigen gefährliche Situationen an. Lesen Sie diese Informationen immer sorgfältig durch und treffen Sie alle erforderlichen Vorkehrungen, um Personen und Eigentum zu schützen.

AUF DEM GERÄT SICHTBARE SYMBOLE



WARNUNG!

Lesen Sie alle Anweisungen sorgfältig durch, bevor das Gerät eingesetzt wird.



WARNUNG!

Das Gerät darf nicht direkt mit Wasser oder einem Wasserstrahl gereinigt werden.

IM BEDIENUNGSHANDBUCH ABGEBILDETE SYMBOLE



GEFAHR!

Weist auf eine gefährliche Situation mit Todesgefahr für den Bediener hin.



WARNUNG!

Weist auf eine Verletzungsgefahr für Personen hin.



VORSICHT!

Bedeutet eine Aufforderung zur Vorsicht oder einen Hinweis auf wichtige oder nützliche Funktionen. Beachten Sie die mit diesem Symbol gekennzeichneten Absätze.



HINWEIS

Weist auf einen Hinweis bezüglich wichtiger oder nützlicher Funktionen hin.



NACHSCHLAGEN

Weist darauf hin, dass vor jeglichem weiteren Schritt das Bedienungshandbuch eingesehen werden muss.

ALLGEMEINER SICHERHEITSHINWEIS

Allgemeines - Dieser Teppich-Spotter muss während des Betriebs geerdet sein, um den Bediener vor einem elektrischen Schlag zu schützen. Die Maschine ist mit einem dreipoligen Erdungsstopfen ausgestattet, der in die richtige Erdungsbuchse passt. Der grüne (oder grün-gelbe) Leiter im Kabel ist das Erdungskabel. Schließen Sie dieses Kabel niemals an einen anderen als den Erdungstift des Anschlusssteckers an.

Diese Maschine ist für die Verwendung in einem Stromkreis mit einer Nennspannung von 220 bis 240 V vorgesehen und verfügt über einen Erdungsstecker, der dem in der folgenden Abbildung dargestellten Stecker ähnelt. Stellen Sie sicher, dass das Gerät an eine Steckdose angeschlossen ist, die eine passende Konfiguration für den Stecker hat. Für dieses Gerät darf kein Adapter verwendet werden.

Nachstehend finden Sie spezifische Vorsichts- und Warnhinweise hinsichtlich möglicher Geräte- und Personenschäden.

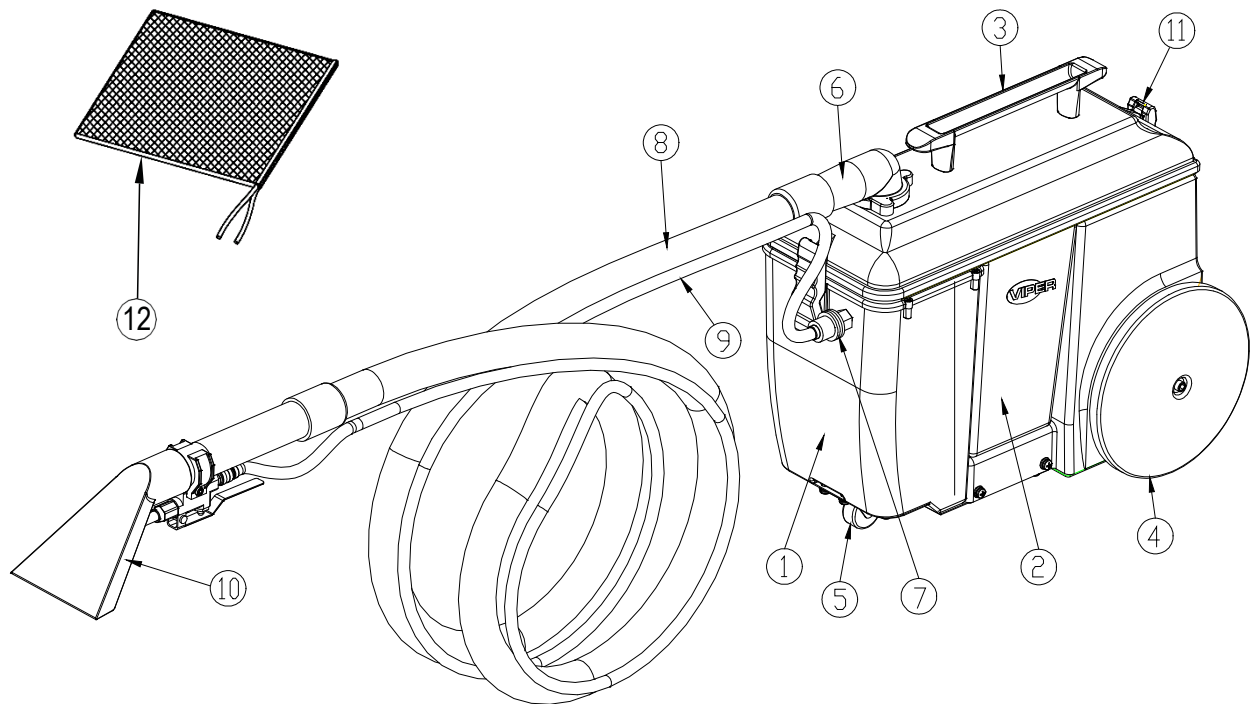
**GEFAHR!**

- Dieses Gerät darf nur von speziell ausgebildetem und autorisiertem Personal entsprechend den Vorgaben im Handbuch bedient werden.
- Lesen Sie vor dem Reinigen, Warten, Reparieren oder Ersetzen alle Anweisungen sorgfältig durch und überprüfen Sie, dass die Maschine ausgeschaltet ist.
- Das Gerät nicht in der Nähe giftiger, gefährlicher, brennbarer und/oder explosiver Pulver, Flüssigkeiten oder Dämpfe betreiben. Dieses Gerät ist nicht geeignet zum Auffangen gefährlicher Pulver.
- Tragen Sie beim Arbeiten in der Nähe elektrischer Komponenten keinerlei Schmuck.
- Arbeiten Sie keinesfalls unter dem angehobenen Gerät ohne dieses durch Sicherheitsständer abzustützen.

**WARNUNG!**

- Dieses Gerät ist für die **GEWERBLICHE VERWENDUNG** in Hotels, Krankenhäusern, Fabriken, Geschäften, Büros und Vermietgeschäften bestimmt.
- Unbeaufsichtigt gelassene Geräte müssen gegen versehentliches Einschalten geschützt werden.
- Um eine unbefugte Benutzung der Maschine zu verhindern, muss die Stromquelle ausgeschaltet oder verriegelt sein.
- Das Gerät muss vor jedem Gebrauch sorgfältig überprüft werden. Vor Gebrauch sicherstellen, dass alle Komponenten ordnungsgemäß montiert wurden. Gelockerte Komponenten können Geräte- und Personenschäden zur Folge haben.
- Das Gerät darf keinesfalls durch Ziehen am Kabel bewegt werden. Das Kabel darf nicht durch eine geschlossene Tür geführt oder um scharfe Kanten oder Ecken verlaufen. Führen Sie die Maschine nicht über das Kabel. Das Kabel von heißen Oberflächen fernhalten.
- Zur Verringerung der Brand-, Stromschlag- und Verletzungsgefahr sicherstellen, dass das Gerät ausgeschaltet ist, bevor es verlassen wird.
- Das Gerät muss in Innenbereichen und unter trockenen Verhältnissen verwendet und aufbewahrt werden. Es darf nicht in Außenbereichen verwendet werden.
- Die Lager- und Betriebstemperatur des Geräts liegt zwischen 0 °C und +40 °C. Die Luftfeuchtigkeit muss zwischen 30% - 95% liegen.
- Das Gerät keinesfalls auf geneigten Oberflächen mit einer die genannten Spezifikationen überschreitenden Steigung verwenden.
- Bei Verwendung und Handhabung von Bodenreinigungsmitteln die Anweisungen auf den Etiketten der Flaschen beachten, geeignete Schutzhandschuhe tragen und ggf. andere Schutzvorrichtungen verwenden.
- Stellen Sie bei Fehlfunktionen des Geräts sicher, dass diese nicht auf einen Mangel an Wartung zurückzuführen sind. Fordern Sie falls erforderlich Unterstützung durch autorisiertes Personal oder ein autorisiertes Service-Center an.

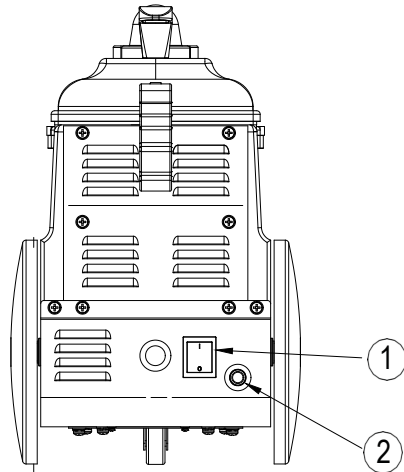
- Treffen Sie alle erforderlichen Vorsichtsmaßnahmen, damit sich Haare, Schmuck und lose Kleidung nicht in den beweglichen Teilen des Geräts verfangen können.
- Verwenden Sie das Gerät nicht in besonders staubiger Umgebung.
- Das Gerät darf nicht direkt mit Wasser oder einem Wasserstrahl oder korrosiven Substanzen gereinigt werden.
- Vor allem dann, wenn Gegenstände hinunterfallen könnten, keinesfalls gegen Regale oder Gerüste stoßen.
- Flüssigkeitsbehälter nicht an das Gerät lehnen. Entsprechende Halterungen verwenden.
- Im Brandfall einen Feuerlöscher mit Trockenlöschmittel verwenden. Keinesfalls Feuerlöscher mit flüssigem Löschmittel verwenden.
- Die Etiketten auf dem Gerät dürfen weder entfernt noch modifiziert werden.
- Achten Sie während des Gerätetransports auf Temperaturen unter dem Gefrierpunkt. Das Wasser im Schmutzwassertank und den Schläuchen könnte gefrieren und schwere Geräteschäden verursachen.
- Müssen Teile ersetzt werden, nur Original-Ersatzteile von einem autorisierten Händler oder Einzelhändler bestellen.
- Wenden Sie sich an das Service-Center, wenn das Gerät nicht wie gewohnt funktioniert oder beschädigt ist.
- Um den ordnungsgemäßen und sicheren Gerätebetrieb zu gewährleisten muss die im entsprechenden Kapitel dieses Handbuchs geplante Wartung von autorisiertem Personal oder von einem autorisierten Vertreter oder Einzelhändler durchgeführt werden.
- Beim vorliegenden Gerät handelt es sich um eine Reinigungsmaschine, die ausschließlich für diesen Zweck geeignet ist.
- Halten Sie die Öffnungen frei von Staub, Haaren und anderen Fremdkörpern, damit der Luftdurchfluss nicht beeinträchtigt wird. Im Falle verstopfter Öffnungen darf das Gerät nicht verwendet werden.
- Verwenden Sie das Gerät nur bei angemessener Beleuchtung.
- Dieses Gerät ist nicht für den Gebrauch durch Personen (einschließlich Kindern) mit verminderten physischen, sensorischen oder mentalen Fähigkeiten oder mangelnder Erfahrung und Kenntnissen bestimmt.
- Wird ein Gerät in der Nähe von Kindern verwendet, ist besondere Achtsamkeit erforderlich.
- Kinder müssen beaufsichtigt werden, um sicher zu gehen, dass sie nicht mit dem Gerät spielen.
- Während des Gerätebetriebs muss darauf geachtet werden, keine Personen zu verletzen und keine Gegenstände zu beschädigen.
- Die Reinigung und Wartung dürfen keinesfalls von Kindern und ohne Aufsicht durchgeführt werden.
- Die Bediener müssen hinsichtlich der Verwendung dieser Geräte entsprechend eingeschult werden.
- Dieses Gerät verfügt nur zu Funktionszwecken über einen Erdungsanschluss
- Wenn das Versorgungskabel beschädigt ist, muss es vom Hersteller, einem Wartungsmitarbeiter des Herstellers, oder ähnlich qualifizierten Personen ausgetauscht werden, um Gefahren zu vermeiden.
- Den Stecker während der Reinigung oder Wartung sowie beim Austausch von Teilen oder beim Umrüsten der Maschine auf eine andere Funktion aus der Steckdose entfernen

**GERÄTEBESCHREIBUNG
MASCHINENSTRUKTUR**

Abb. 1

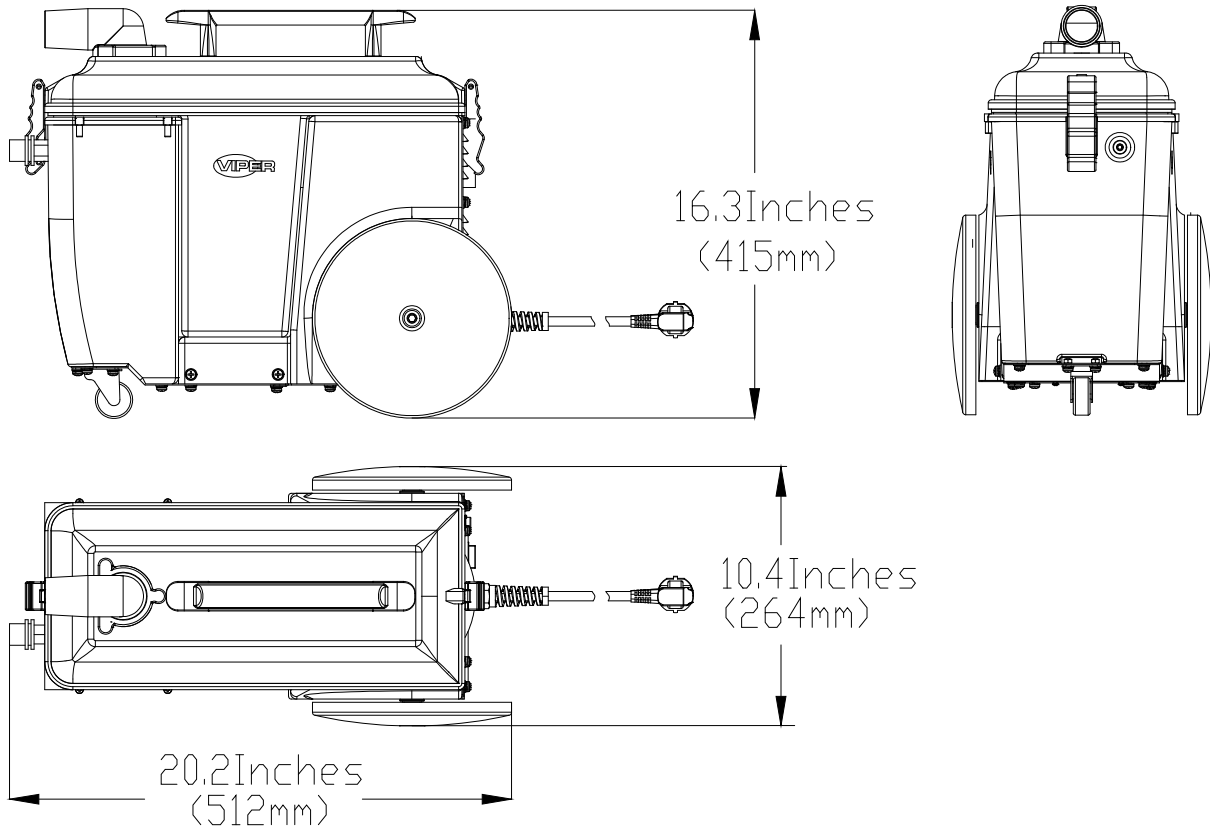
- | | |
|--------------------------|-----------------------------|
| 1. Lösungstank | 7. Lösungsschlauchanschluss |
| 2. Schmutzwassertank | 8. Saugschlauch |
| 3. Griff | 9. Lösungsschlauch |
| 4. Transporträder | 10. Handgriff |
| 5. Hintere Laufrolle | 11. Klemme |
| 6. Saugschlauchanschluss | 12. Blaue Zubehörtasche |

BEDIENFELD

1. Netzschalter
2. Überlastungsschutz



MASCHINENGRÖSSE

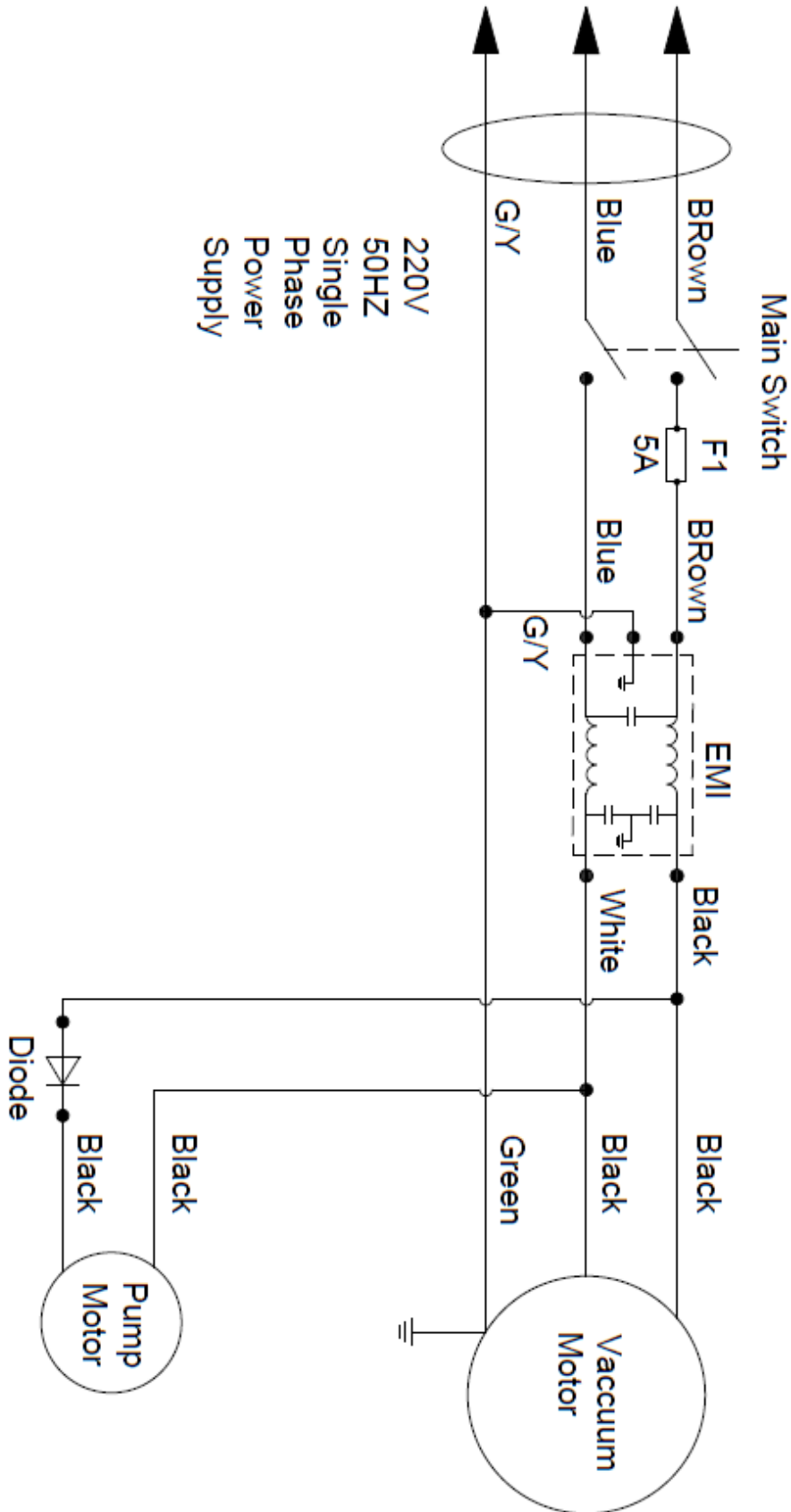


TECHNISCHE ANGABEN

Modelle	EU	UK	TURKEY
Master Beschreibung	WOLF130		
Ref.-Nr. Lagercode	50000589	50000604	50000603
Spannung	220-240V		
Saugmotor	1000W		
Stromstärke	4.7 A		
Gewicht	9.85kg		
Versandgewicht	29.8 lb (13.5kg)		
Schalleistungspegel	80 dB		
Schalldruckpegel	67 dB A		
Lösungspumpendruck	2 bar (30 psi)		
Wasserhub (max. Saugleistung)	85" H2O (21.8 kPa)		
Stromkabel ft	10 m, Sicherheit Orange		
Reinigungspfad Zoll	10.2 cm (4")		
Lösung- und Schmutzwassertank Gallone	3.8L		
Lösung- & Saugschläuche ft	3m		
Abmessung L x B x H	59 x 39 x 49 cm (23.3 x 15.4 x 19.3)		

(*): Optional

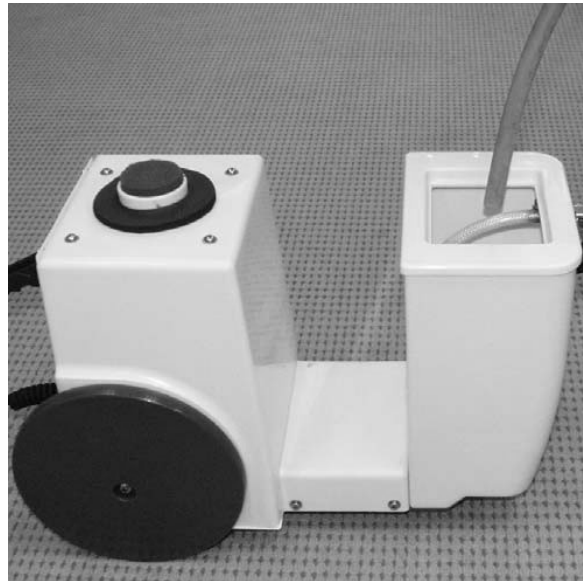
SCHALTPLAN



BEDIENUNGSANLEITUNG

Lesen Sie die Bedienungsanleitung sorgfältig durch, bevor Sie diese Maschine bedienen oder warten

- 1) Füllen Sie den Tank mit einem Schlauch oder Eimer mit maximal 1 gal Wasser (Wassertemperatur unter 50°C).



Verwenden Sie keine brennbaren Flüssigkeiten und betreiben Sie die Maschine nicht in oder in der Nähe von brennbaren Flüssigkeiten oder Dämpfen

- 1) Schließen Sie den Lösungsschlauch und den Saugschlauch an die Maschine an.
- 2) Schließen Sie das Netzkabel an eine geerdete Steckdose an. (siehe Erdungsanweisungen).

MASCHINENBETRIEB

VOR DEM ENTFERNEN VON FLECKEN

- 1) Überprüfen Sie das Netzkabel auf Beschädigungen. Ersetzen Sie das Kabel, wenn Schäden festgestellt werden.
- 2) Staubsaugen Sie den Teppich, um Schmutz zu entfernen, bevor Sie den Fleck entfernen.

FLECKENTFERNUNG

- 1) Stellen Sie den Netzschalter auf „I“.
- HINWEIS: Die Lösung sprüht nur, wenn der Sprühgriff (am Handgriff) gezogen wird.*
- 2) Um mit der Reinigung zu beginnen, ziehen Sie am Sprühgriff (Handgriff) und ziehen Sie den Griff zurück über den Flecken.
 - 3) Lassen Sie den Sprühgriff los, wenn Sie das Ende des Fleckens erreicht haben. Ziehen Sie den Handgriff weitere 4" zurück, um überschüssige Lösung aufzunehmen.



- 4) Fahren Sie fort, bis der Fleck entfernt ist.

TIPPS ZUM BETRIEB

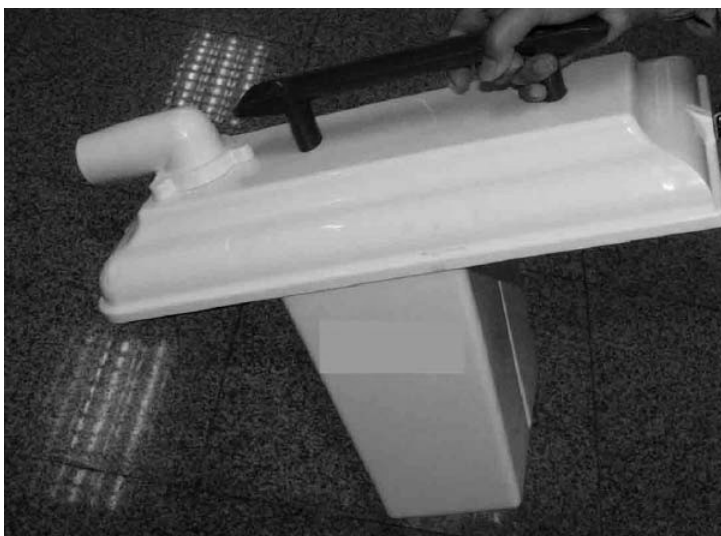
- 1) Verwenden Sie nur kaltes Wasser. Heißes Wasser kann Verfärbungen verursachen.
- 2) Überprüfen Sie den Schmutzwassertank kontinuierlich auf Schaumbildung. Verwenden Sie eine vom Händler empfohlene Schaumkontrolllösung.
HINWEIS: Übermäßige Schaumbildung führt zur Beschädigung des Saugmotors.
- 3) Wiederholen Sie den Extraktionspfad auf stark verschmutzten Stellen.
- 4) Wenn die Rückgewinnung der verschmutzten Lösung endet oder der Lösungstank leer ist, ist der Schmutzwassertank zu entleeren. (siehe TANKABLASS)

ABLASSBEHÄLTER**ABLASSLÖSUNGSTANK**

- 1) Schalten Sie die Maschine aus und ziehen Sie den Netzstecker aus der Steckdose.
- 2) Trennen Sie die Lösungs- und die Saugschläuche von der Vorderseite der Maschine.
- 3) Lösen Sie die Klemmen am Schmutzwassertank und entfernen Sie den Schmutzwassertank von der Maschine.
- 4) Führen Sie den Lösungstank zu einem zugelassenen Abfluss und entleeren Sie den Inhalt.

ABLASS-SCHMUTZWSSERTANK

- 1) Schalten Sie die Maschine aus und ziehen Sie den Netzstecker aus der Steckdose.
- 2) Lösen Sie die Klemmen am Schmutzwassertank und entfernen Sie den Schmutzwassertank von der Maschine.
- 3) Tragen Sie den Schmutzwassertank zu einem zugelassenen Abfluss und entleeren Sie den Inhalt.



- 4) Schmutzwassertank mit sauberem Wasser spülen.
- 5) Maschine wieder zusammengebaut.

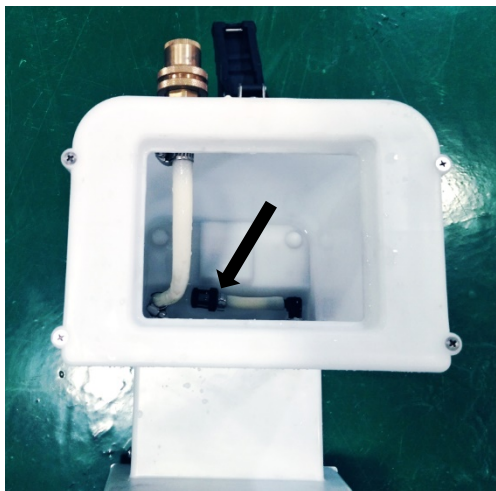
INSTANDHALTUNG

Befolgen Sie die folgenden Wartungsverfahren, damit die Maschine viele Jahre lang eine gute Leistung erbringt.

!!! Vergewissern Sie sich immer, dass die Maschine vom Stromnetz getrennt ist, bevor Sie Wartungs- oder Reparaturarbeiten durchführen!!!

TÄGLICHE WARTUNG

- 1) Wenn der Reinigungsvorgang für den Tag abgeschlossen ist, entleeren Sie den Schmutzwassertank und spülen Sie ihn gründlich mit sauberem Wasser aus.
- 2) Entfernen Sie die restliche Lösung aus dem Lösungstank.
- 3) Saugfilter entfernen und mit sauberem Wasser spülen.
- 4) Filter im trockenen Zustand ersetzen.



- 5) Sprühstrahl entfernen und prüfen. Bei Sprühstrahl reinigen.

HINWEIS: Reinigen Sie den Strahl nicht mit einem spitzen Gegenstand, da dies die Düsen beschädigen kann.

- 6) Überprüfen Sie den Bürstenstreifen und entfernen Sie alle Rückstände oder Teppichfasern.
- 7) Überprüfen Sie den vorderen Handgriff und entfernen Sie alle Rückstände oder Teppichfasern.
- 8) Maschine mit einem nicht scheuernden Reiniger reinigen.
- 9) Überprüfen Sie das Netzkabel auf Beschädigungen. Bei Bedarf ersetzen.

MONATLICHE WARTUNG

- 1) Pumpe und Rohrleitungen mit einer Essigsäurelösung spülen, um chemische Ablagerungen aufzulösen.
Mischanlage:
 - a. 8 oz. einer Essigsäurelösung mit 1 gal Wasser vormischen und in den Lösungstank gießen.
 Saug- / Pumpenschalter einschalten.
 - b. Setzen Sie den Bodenwerkzeugkopf über den Bodenablass und ziehen Sie eine (1) Minute lang am Lösungsauslöser.
 - c. Schalten Sie die Maschine aus und lassen Sie die verbleibende Lösung über Nacht in der Maschine stehen.
 - d. Sprühen Sie am nächsten Tag die restliche Lösung aus und spülen Sie das System erneut mit 1 gal sauberem Wasser.
- 2) Überprüfen Sie die Maschine auf Wasserlecks.
- 3) Überprüfen Sie die Maschine auf lose oder fehlende Muttern, Schrauben und Bolzen und ersetzen Sie sie bei Bedarf.

LAGERUNG DER MASCHINE

- 1) Überprüfen Sie vor dem Lagern der Maschine, dass die Lösung und die Schmutzwassertanks sauber und frei von jeglicher Lösung sind.
- 2) Lagern Sie die Maschine aufrecht an einem trockenen Ort, wobei der Saugschlauch für besseren Luftaustausch entfernt wird.

HINWEIS: Wenn Sie die Maschine an einem Ort aufbewahren, an dem es gefrieren kann, stellen Sie sicher, dass beide Tanks und die Lösungsleitungen frei von Wasser und trocken sind!

GRUNDLEGENDE FEHLERSUCHE

Fehler	Mögliche Ursachen	Abhilfe
Maschine funktioniert nicht	Nicht an die Stromquelle angeschlossen	An eine geerdete Steckdose anschließen
	Stromkabel defekt	Wenden Sie sich an den Händler
	Fehlerhaftes Verlängerungskabel	Durch neues Verlängerungskabel ersetzen
	Gebäudeschutzschalter ausgelöst	Leistungsschalter zurücksetzen
Lösungspumpe funktioniert nicht	Saug- / Pumpenschalter nicht eingeschaltet	Schalter einschalten
	Saug- / Pumpenschalter defekt	Wenden Sie sich an den Händler
	Magnet defekt	Wenden Sie sich an den Händler
	Lösungspumpe defekt	Wenden Sie sich an den Händler
	Pumpe überhitzt	Ermitteln Sie die Ursache und lassen Sie die Pumpe 30 Minuten abkühlen
	Lose oder defekte Verkabelung	Wenden Sie sich an den Händler
Saugmotor funktioniert nicht	Saug- / Pumpenschalter nicht eingeschaltet	Schalter einschalten
	Saug- / Pumpenschalter defekt	Wenden Sie sich an den Händler
	Thermische Überlastung des Saugmotors ausgelöst	Auf Verstopfung prüfen und 30 Minuten abkühlen lassen
	Saugmotor defekt	Wenden Sie sich an den Händler
	Abgenutzte Kohlebürsten	Wenden Sie sich an den Händler
	Lose oder defekte Verkabelung	Wenden Sie sich an den Händler
Schlechte Saugwirkung	Luft-Leckage an der Rückgewinnungsdichtung	Sicherstellen, dass der Wiederherstellungsdeckel fest angezogen ist
	Saugdichtung beschädigt oder verschlissen	Dichtung ersetzen
	Lose Saugschlauchanschlüsse	Sicherstellen, dass die Saugschlauchverbindungen dicht sind
	Saugschlauch defekt	Saugschlauch ersetzen
	Lose Saugschlauchmanschetten	Sicherstellen, dass die Manschetten am Gehäuse befestigt sind
	Saugschlauch verstopft	Hindernis vom Saugschlauch entfernen
Ungleichmäßiges oder kein Lösungsspray	Der Lösungstank ist leer oder der Füllstand niedrig	Lösungstank füllen
	Saug- / Pumpenschalter nicht eingeschaltet	Schalter einschalten
	Verschmutzte oder verstopfte Sprühspitzen	Sprühspitzen reinigen oder ersetzen
	Falsche Größe der Sprühspitze oder falscher Sprühwinkel	Wenden Sie sich an den Händler
	Abgenutzte Sprühspitzen	Wenden Sie sich an den Händler
	Lösungspumpe defekt	Wenden Sie sich an den Händler
	Verstopfter Lösungstankfilter	Filter reinigen oder austauschen
	Eingeklemmter oder geknickter Lösungsschlauch	Überprüfen Sie das Gerät auf Verstopfungen und Knicke, leiten Sie die Schläuche um, oder ersetzen Sie sie bei Bedarf

FEHLERBEHEBUNG**ENTSORGUNG**

Entsorgen Sie das Gerät über eine qualifizierte Abfallbehandlungseinrichtung.

Vor dem Verschrotten des Geräts die untere Baugruppe abnehmen und in Übereinstimmung mit den einschlägigen Gesetzen und Verordnungen auf korrekte Weise entsorgen.

- Bürsten-/Pad-Halter
- Kunststoffschlauch und Kunststoffkomponenten
- Elektrische und elektronische Komponenten (*)

(*) Wenden Sie sich für die Zerstörung von elektrischen oder elektronischen Bauteilen an die Service-Center unseres Unternehmens.

Zusammensetzung und Recyclingfähigkeit des Materials des Geräts

Typ	Wiederverwertbarer Prozentanteil	WOLF130 Gewichtsanteil in %
Elektrische Motoren - Sonstiges	20%	22%
Eisenwerkstoffe	80%	20%
Kabelbaum	80%	1%
Flüssigkeiten	100%	0%
Nicht wiederverwertbare Kunststoffe	0%	1%
Wiederverwertbare Kunststoffe	100%	45%
Gummi	20%	1%

INTRODUKTION



BEMÆRK

Tallene i parentes henviser til komponenterne, som vist i kapitlet Maskinbeskrivelse.

FORMÅLET MED VEJLEDNINGEN OG DENS INDHOLD

Formålet med denne brugsvejledning er at gøre operatøren bekendt med maskinens tekniske ydeevne, konstruktion, drift, inaktivitet, reservedele og sikkerhedsforhold mm.

Inden der udføres arbejde på maskinen, skal operatører og kvalificerede teknikere læse denne vejledning nøje. Kontakt os, hvis du er i tvivl eller har spørgsmål i forbindelse med instruktionerne i denne vejledning.

OPBEVARING AF DENNE BRUGSVEJLEDNING

Denne vejledning skal opbevares i umiddelbar nærhed af maskinen, i en passende holder og på afstand af væsker og andre stoffer, der kan forårsage skader på den.

OVERENSSTEMMELSESERKLÆRING

Overensstemmelseserklæring leveres sammen med maskinen og certificerer at maskinen er i overensstemmelse med gældende lovgivning.



BEMÆRK

Kopierne af den oprindelige overensstemmelseserklæring leveres sammen med maskinens dokumentation.

TILBEHØR OG VEDLIGEHOLDELSE

Alle nødvendige procedurer vedrørende drift, vedligeholdelse og reparation skal udføres af kvalificerede teknikere eller et af os godkendt værksted. Der må KUN anvendes originale og godkendte reservedele.

Kontakt vores firmas kundeservice for service eller køb af tilbehør eller reservedele om nødvendigt.

UDSKIFTNING OG FORBEDRINGER

Vi arbejder ihærdigt på løbende at forbedre vores produkter, og firmaet forbeholder sig ret til at foretage ændringer og forbedringer af maskinen uden forudgående varsel.

ANVENDELSESOMRÅDE

Denne maskine er beregnet til kommerciel brug. Det er konstrueret til brug i et indendørs miljø, og er ikke beregnet til anden anvendelse. Brug kun anbefalet tilbehør.

MASKINENS IDENTIFIKATIONSDATA

Maskinens serienummer og modelnavn er markeret på seriemærket.

Denne information er nyttig. Brug følgende tabel til at nedskrive maskinens identifikationsdata, i tilfælde af at der kræves reservedele til maskinen.

MASKINENS MODEL
MASKINENS SERIENUMMER

TRANSPORT OG UDPAKNING

Kontrollér forsigtigt forsendelseskartonen for tegn på beskadigelse. Rapporter straks skader på kartonen til transportøren.

Kontrollér indholdet af kartonen for at sikre, at kartonen er komplet. Kontakt din distributør, hvis der mangler noget.

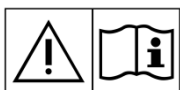
Indhold:

- Tæppe-spotter
- Vakuum- og opløsningslanger
- Håndværktøj

SIKKERHED

Følgende symboler angiver potentielt farlige situationer. Læs altid denne information grundigt og træf alle nødvendige forholdsregler for at beskytte mennesker og ejendom.

SYNLIGE SYMBOLER PÅ MASKINEN



ADVARSEL!

Læs nøje alle instruktionerne, før der udføres arbejde på maskinen.



ADVARSEL!

Vask ikke maskinen med direkte vandstråler eller vand under tryk.

SYMBOLER ANVENDT I DENNE BRUGSVEJLEDNING



FARE!

Det indikerer en farlig situation med risiko for død for operatøren.



ADVARSEL!

Det indikerer en potentiel risiko for skader på mennesker.



FORSIGTIG!

Det angiver, at man skal være opmærksom på vigtige eller nyttige funktioner. Vær opmærksom på de afsnit, der er markeret med dette symbol.



BEMÆRK

Den angiver en bemærkning om vigtige eller nyttige funktioner.



TJEK MANUAL

Det indikerer en nødvendighed af at henvise til brugsvejledningen, før du udfører nogen procedure.

GENERELLE SIKKERHEDSINSTRUKTIONER

Generelt - Denne tæppepletmaskine skal jordes under brug, for at beskytte operatøren mod elektrisk stød. Maskinen er forsynet med et tre-benet jordforbindelsesstik, der passer til den korrekte jordforbindelse. Den grønne (eller grønne og gule) leder i ledningen er jordledningen. Tilslut aldrig denne ledning til andet end jordstiften på fastgørelsesstikket.

Denne maskine er beregnet til brug på et nominelt 220-240 volt kredsløb og har et jordet stik, der ligner det stik, der er illustreret i figuren nedenfor. Sørg for, at maskinen er tilsluttet en stikkontakt med samme konfiguration som stikket. Der må ikke bruges nogen adapter til denne maskine.

Specifikke advarsler og forholdsregler for at informere om potentielle skader på mennesker og maskine er vist nedenfor.

**FARE!**

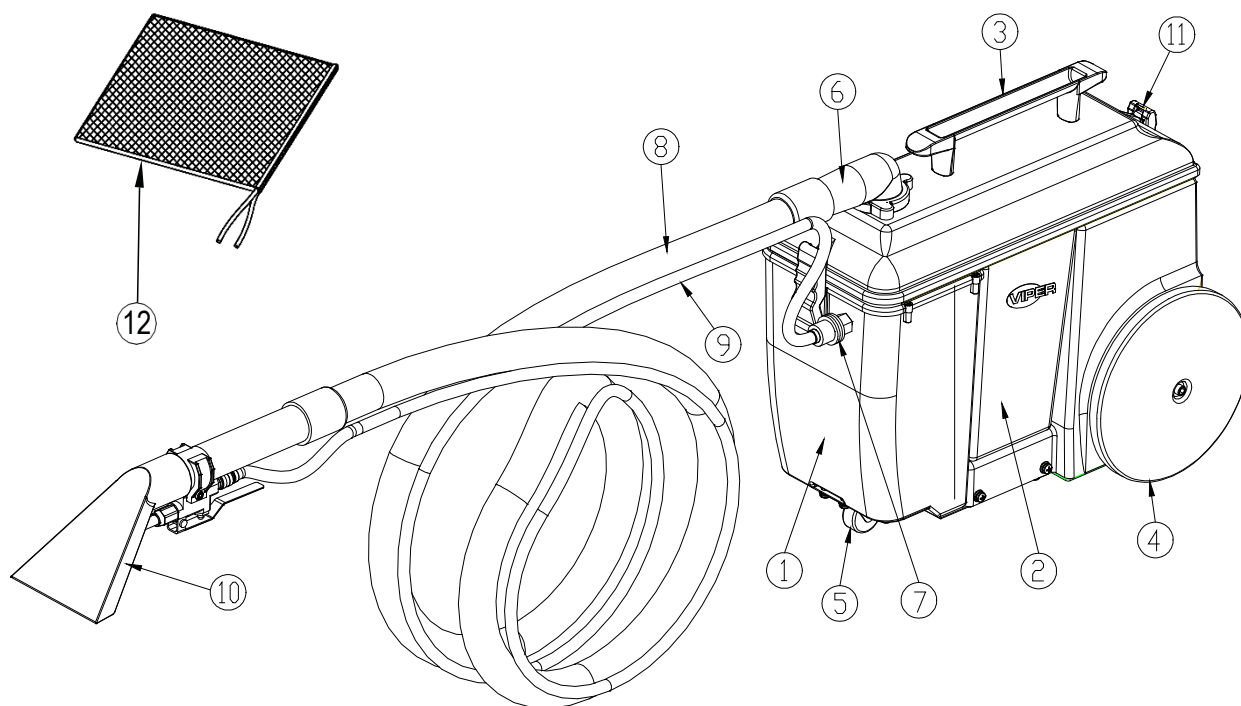
- Denne maskine skal betjenes af uddannet og autoriseret personale i henhold til brugsvejledningen.
- Før du foretager rengørings-, vedligeholdelses-, reparations- eller udskiftningsprocedurer, skal du læse alle instruktionerne omhyggeligt og sørge for at SLUKKE for maskinen.
- Betjen ikke maskinen i nærheden af giftige, farlige, brændbare og/eller eksplosive pulvere, væsker eller dampe. Denne maskine er ikke egnet til opsamling af farlige pulvere.
- Bær ikke smykker, når der arbejdes i nærheden af elektriske komponenter.
- Arbejd ikke under den løftede maskine, hvis den ikke er fastgjort med et sikkerhedsstativ.

**ADVARSEL!**

- Denne maskine er beregnet til ERHVERVSMÆSSIG BRUG, for eksempel i hoteller, skoler, hospitaler, fabrikker, butikker, kontorer og udlejningsvirksomheder.
- Maskiner, der efterlades uden opsyn, skal sikres mod utilsigtet at kunne sætte sig i bevægelse.
- For at forhindre uautoriseret brug af maskinen skal strømkilden være slukket eller låst.
- Undersøg nøje maskinen før hver brug. Sørg for, at alle komponenter er blevet godt samlet, før brug. Løse komponenter kan medføre risiko for personskade eller på anden vis forårsage ødelæggelser.
- Flyt aldrig maskinen ved at trække i ledningen. Lad ikke kablet komme i klemme i en lukket dør, og træk det ikke rundt om kanter med skarpe hjørner. Køb ikke maskinen over kablet. Hold ledningen væk fra varme overflader.
- For at reducere risikoen for brand, elektrisk stød eller personskade skal maskinen slukkes, inden den forlades.
- Brug eller opbevar maskinen indendørs under tørre forhold; den må ikke anvendes udendørs.
- Maskinens opbevarings- og arbejdstemperatur skal være mellem 0 °C og 40 °C; luftfugtigheden skal være mellem 30 % og 95 %.
- Betjen ikke maskinen på skrånninger, der er stejlere end den angivne sikkerhedsgrænse.
- Ved brug og håndtering af gulvrengøringsmidler skal instruktionerne på emballagen følges nøje, og der skal anvendes passende beskyttelseshandsker og beskyttelsestøj.
- I tilfælde af funktionsfejl kontrolleres det, at disse ikke er forårsaget af manglende vedligeholdelse. Hvis det er nødvendigt, anmod om assistance fra autoriseret personale eller fra et autoriseret servicecenter.

- Træf alle de nødvendige forholdsregler for at forhindre, at hår, smykker og løse beklædningsdele bliver fanget af maskinens bevægelige dele.
- Anvend ikke maskinen i særligt støvede områder.
- * Vask ikke maskinen med direkte eller højtryks stråler, eller ætsende stoffer.
- Undgå at støde ind i hylder eller stilladser, især hvor der er risiko for nedfaldende genstande.
- Undgå at læne væskebeholdere op ad maskinen. Brug i stedet den relevante holder.
- I tilfælde af brand skal der anvendes pulversslukker. Brug ikke flydende brandslukkere.
- Fjern eller modificer ikke maskinens etiketter.
- Udvis forsigtighed, når maskinen transporteres ved temperaturer under frysepunktet. Vandet i opsamlingsstanken og i slangerne kan fryse og forårsage alvorlig skade på maskinen.
- Hvis reservedele skal udskiftes, skal der bestilles ORIGINALE reservedele fra en autoriseret forhandler.
- Returnér maskinen til Servicecenteret, hvis den ikke fungerer som normalt, eller hvis den er beskadiget.
- For at sikre korrekt og sikker drift af maskinen skal den planlagte vedligeholdelse, som er angivet i det relevante afsnit i denne vejledning, udføres af autoriseret personale eller en autoriseret forhandler eller detailhandler.
- Denne maskine er kun beregnet til rengøring og må ikke bruges til andre formål.
- Sørg altid for at holde maskinens åbninger fri for støv, hår og andre fremmedlegemer, der kan reducere luftstrømmen. Maskinen må ikke anvendes, hvis åbningerne er tilstoppede.
- Brug kun maskinen i områder med en korrekt belysning.
- Denne maskine må ikke anvendes af personer (inklusive børn) med nedsat fysisk, sensorisk eller psykisk funktionsevne eller med begrænset erfaring og viden.
- Udvis stor forsigtighed, når maskinen anvendes i nærheden af børn.
- Børn skal være under opsyn for at sikre, at de ikke leger med maskinen.
- Ved betjening af denne maskine skal der træffes alle de nødvendige foranstaltninger for at undgå risiko for personskade eller andre former for ødelæggelse.
- Rengøring og vedligeholdelse må ikke udføres af børn, medmindre de er under opsyn.
- Operatørerne skal have passende anvisninger og uddannelse i forhold til brugen af disse maskiner.
- Dette apparat har en jordforbindelse udelukkende til funktionelle formål
- Hvis netledningen er beskadiget, skal den udskiftes af producenten, dennes serviceagent eller lignende kvalificerede personer, for at undgå en fare.
- Fjernelse af stikket fra stikkontakten under rengøring eller vedligeholdelse og ved udskiftning af dele eller konvertering af maskinen til en anden funktion

BESKRIVELSE AF MASKINEN
MASKINSTRUKTUR

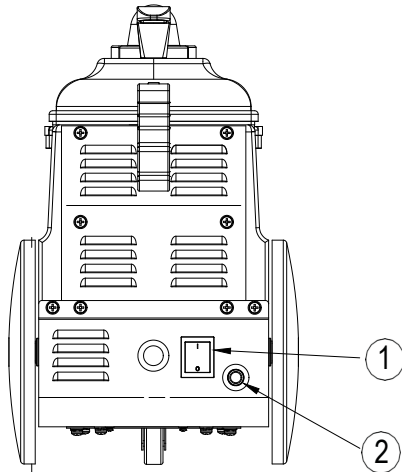


Figur 1

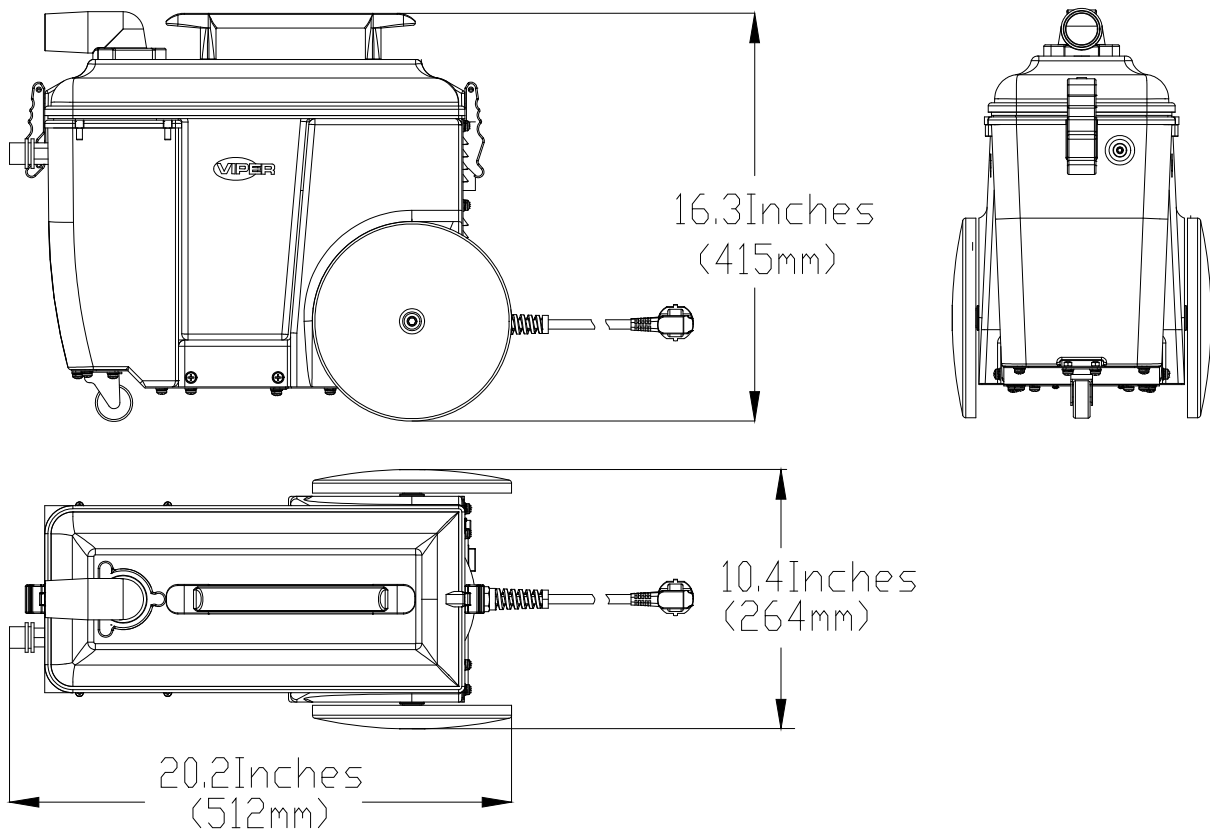
- | | |
|---------------------------------|------------------------------------|
| 1. Tank til opløsningsmiddel | 7. Tilslutning til opløsningslange |
| 2. Opsamlingstank | 8. Vakuumslange |
| 3. Håndtag | 9. Opløsningslange |
| 4. Transporthjul | 10. Håndværktøj |
| 5. Fronthjul | 11. Klemme |
| 6. Tilslutning til vakuumslange | 12. Blå tilbehørstaske |

KONTROLPANEL

1. Strømkontakt
2. Overbelastningsbeskyttelse



MASKINENS MÅL

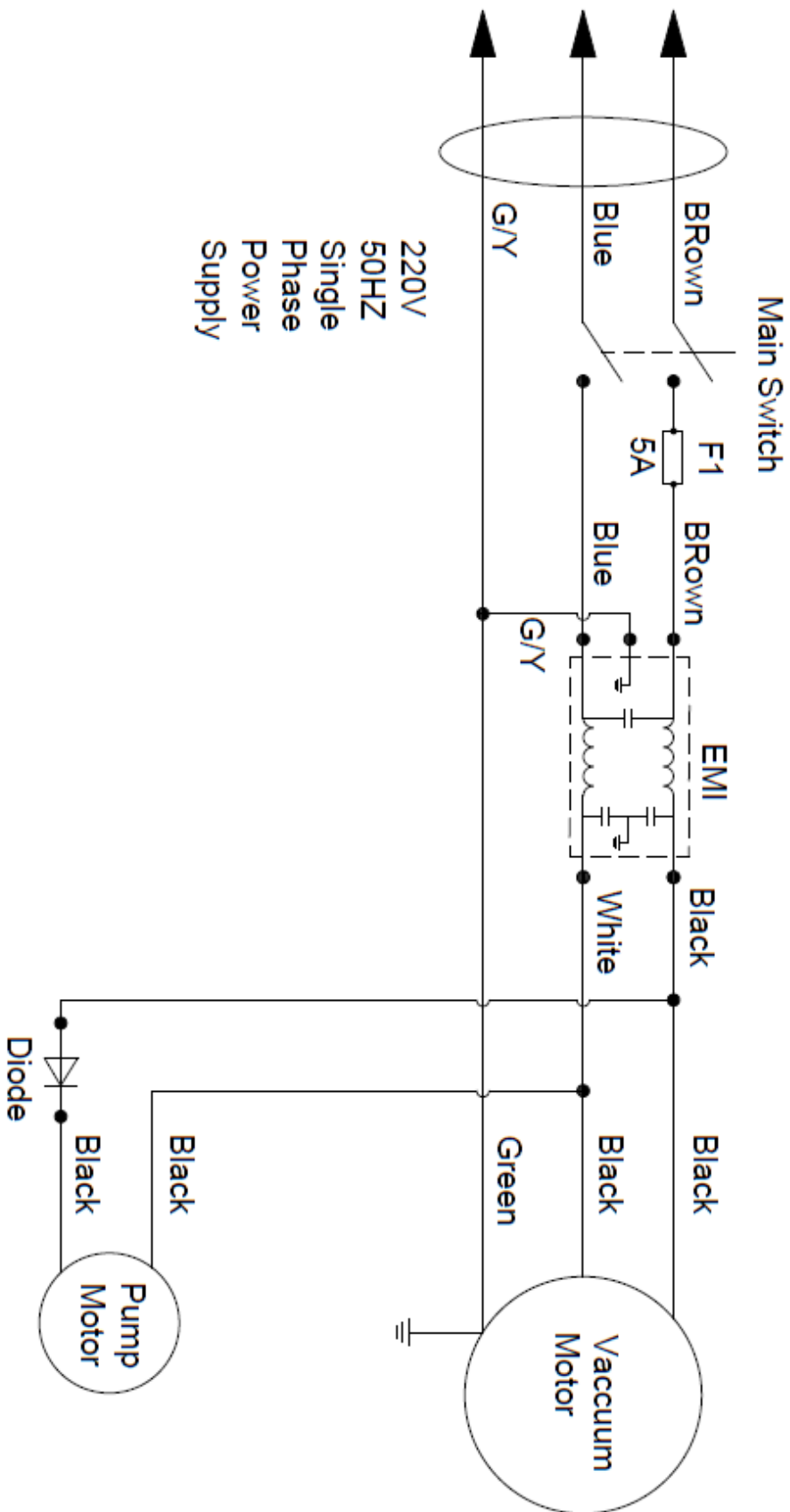


TEKNISKE PARAMETRE

Modeller	EU	UK	TURKEY
Hovedbeskrivelse	WOLF130		
Ref. nr. Lagerkode	50000589	50000604	50000603
Spænding	220-240V		
Vakuummotor	1000W		
Amp-forbrug	4.7 ampere		
Vægt	9.85kg		
Forsendelsesvægt	29.8 lbs. (13.5 kg)		
Lydeffektniveau	80 dB		
Støjniveau	67 dB A		
Opløsningspumpe tryk	30PSI (2bar)		
Vandløft (maks. vakuum)	85 tommer H2O (21.8 KPa)		
Strømkabel ft	10 m, Sikkerhedsorange		
Rengøringsvej tomme	4 "(10.2 cm)		
Opløsnings- og opsamlings tank gallon	3.8L		
Opløsnings- & vakuums slanger ft	3m		
Dimension L x B x H	23.3 x 15.4 x 19.3 tommer (59 x 39 x 49 cm)		

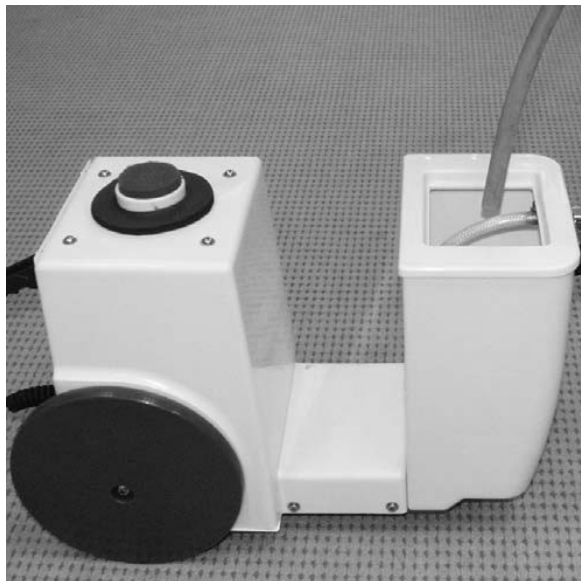
(*): Ekstraudstyr

LEDNINGSDIAGRAM



BRUGSVEJLEDNING**Læs betjeningsvejledningen grundigt inden betjening eller service af denne maskine**

- 1) Brug en slange eller spand til at fylde tanken med maksimalt 1 gallon vand (vandtemperaturen er mindre end 50 °C).



Brug ikke brændbare væsker eller betjen maskinen i eller i nærheden af brændbare væsker eller dampe

- 2) Slut opløsningsslangen og vakuumslangen til maskinen.
- 3) Slut strømkablet til en jordet stikkontakt. (se instruktioner til jordforbindelse)

BETJENING AF MASKINEN**FORUD FOR FJERNELSE AF PLETTER**

- 1) Undersøg strømkablet for skader. Udskift kablet, hvis der er skader.
- 2) Støvsuger tæppe for at fjerne snavs inden udtrækning af pletten.

FJERNELSE AF PLET

- 1) Sæt afbryderen i "I" position.
BEMÆRK: Opløsningen sprøjtes kun, når der trækkes i sprøjtehåndtaget (på håndværktøjet).
- 2) For at starte rengøringen skal du trække i sprøjtehåndtaget (håndværktøjet) og begynde at trække værktøjet bagud over pletten.
- 3) Slip sprayhåndtaget, når du har nået slutningen af pletten. Fortsæt med at trække håndværktøjet tilbage i yderligere 4 tommer, for at samle overskydende opløsning op.



- 4) Fortsæt, indtil pletten er fjernet.

RÅD TIL BETJENING

- 1) Brug kun koldt vand. Varmt vand kan lave en plet.
- 2) Kontrollér konstant for skumopbygning i opsamlingstank. Brug en skumkontrolopløsning anbefalet af distributøren.
BEMÆRK: Overdreven skumopbygning vil beskadige vakuummotoren.
- 3) Gentag udsugningsstien på stærkt snavsede områder.
- 4) Når opsamlingen af den snavsede opløsning slutter, eller opløsningstanken er tom, skal du tømme opsamlingstanken. (se TANKDRÆNING)

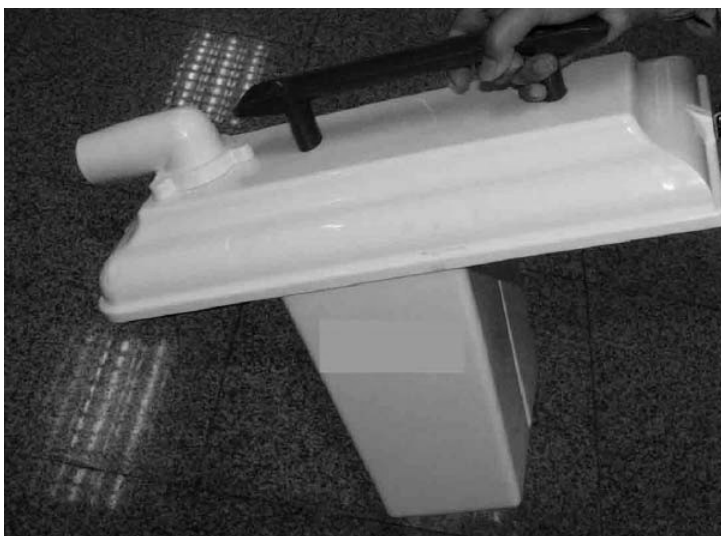
DRÆNNING AF TANK

DRÆN OPLØSNINGSTANK

- 1) Sluk for maskinen, og tag stikket ud af strømkilden.
- 2) Afbryd opløsnings- og vakuumslangerne foran på maskinen.
- 3) Løsn klemmerne på opsamlingstanken, og fjern opsamlingstanken fra maskinen.
- 4) Flyt opløsningstanken til et godkendt afløb, og hæld indholdet ud.

DRÆNING AF OPSAMLINGSTANK

- 1) Sluk for maskinen, og tag stikket ud af strømkilden.
- 2) Løsn klemmerne på opsamlingstanken, og fjern opsamlingstanken fra maskinen.
- 3) Bær opsamlingstank til et godkendt afløb, og hæld indholdet ud.



- 4) Skyl opsamlingstanken med rent vand.
- 5) Saml maskinen igen.

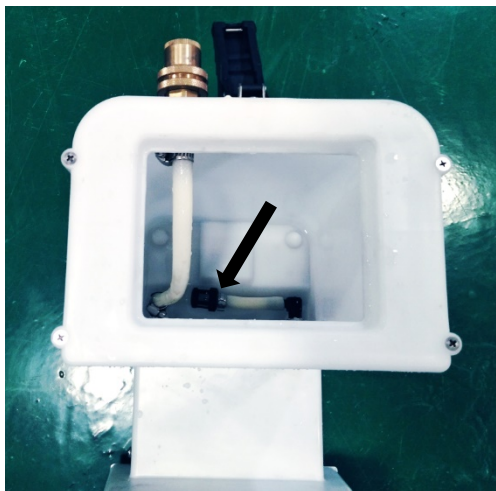
VEDLIGEHOLDELSE

For at sikre at maskinen fungerer godt i mange år, skal du følge disse vedligeholdelsesprocedurer.

!!! Bekræft altid, at maskinen er frakoblet, inden der udføres vedligeholdelse eller reparationer !!!

DAGLIG VEDLIGEHOELDELSE

- 1) Når rengøringen er afsluttet for dagen, skal du tømme og skylle opsamlingstanken grundigt med rent vand.
- 2) Fjern den resterende opløsning fra opløsningstanken.
- 3) Fjern vakuumfilteret og skyl det med rent vand.
- 4) Udskift filteret, når det er tørt.



- 5) Fjern og inspicér spraydyse. Rengør om nødvendigt dyse.

BEMÆRK: Rengør ikke dyser med en spids genstand, da det vil beskadige dyserne.

- 6) Kontrollér børstestrimlen, og fjern snavs eller tæppefibre.
- 7) Kontroller opsamlingshovedet på håndværktøj og fjern snavs eller tæppefibre.
- 8) Rengør maskinen med et ikke-slibende rengøringsmiddel.
- 9) Undersøg strømkablet for skader. Udskift om nødvendigt.

MÅNEDLIG VEDLIGEHOELDELSE

- 1) Skyl pumpe og rørføring med en eddikesyreopløsning, for at opløse enhver kemisk ophobning.
Blandingsinstruktioner:
 - a. Forbland 8 oz. af en eddikesyreopløsning med 1 liter vand og hæld den i opløsningstanken.Tænd for vakuum- / pumpekontakten.
 - b. Sæt gulvværktøjshovedet over et gulv afløb, og træk opløsningsudløseren i et (1) minut.
 - c. Sluk for maskinen, og lad den resterende opløsning stå i maskinen natten over.
 - d. Den følgende dag sprøjtes den resterende opløsning ud, og systemet skylles igen med 1 liter rent vand.
- 2) Undersøg maskinen for vandlækager.
- 3) Kontrollér maskinen for løse eller manglende møtrikker, skruer og bolte, og udskift efter behov.

OPBEVARING AF MASKINEN

- 1) Inden maskinen opbevares, skal du sikre dig, at opløsnings- og opsamlingstankene er rene og tomme for enhver opløsning.
- 2) Opbevar maskinen i oprejst position på et tørt sted, med vakuumslangen fjernet så der er luftcirkulation.

BEMÆRK: Hvis du opbevarer maskinen i et område hvor der kan komme frost, skal du sørge for, at begge tanke og rørføring er tomme for alt vand og tørre!

GRUNDLÆGGENDE FEJLFINDING

Problem	Sandsynlige årsger	Middel
Maskinen fungerer ikke	Ikke tilsluttet strømkilden	Tilslut til en jordet stikkontakt
	Defekt strømkabel	Kontakt distributøren
	Defekt forlængerledning	Udskift den med ny forlængerledning
	Bygningens kredsløbsafbryder udløste	Nulstil kredsløbsafbryder
Opløsningspumpe fungerer ikke	Vakuumpumpe / pumpekontakt er ikke tændt	Tænd kontakten
	Vakuumpumpe / pumpekontakt defekt	Kontakt distributøren
	Defekt solenoid	Kontakt distributøren
	Defekt opløsningspumpe	Kontakt distributøren
	Pumpen er overophedet	Bestem årsagen, og lad pumpen køle af i 30 minutter
	Løse eller ødelagte ledninger	Kontakt distributøren
Vakuummotor fungerer ikke	Vakuumpumpe / pumpekontakt er ikke tændt	Tænd kontakten
	Vakuumpumpe / pumpekontakt defekt	Kontakt distributøren
	Vakuummotorens termiske overbelastning udløses	Kontrollér for blokering, og lad køle af i 30 minutter
	Defekt vakuummotor	Kontakt distributøren
	Slidte kulbørster	Kontakt distributøren
	Løse eller ødelagte ledninger	Kontakt distributøren
Dårlig opsamling	Luft, der lækker omkring opsamlingspakningen	Sørg for, at opsamlingslåget er strammet godt
	Vakuumpakningen er beskadiget eller slidt	Udskift pakningen
	Løse vakuumslangeforbindelser	Sørg for, at vakuumslangetilslutningerne er tætte
	Defekt vakuumslange	Udskift vakuumslange
	Løse vakuumslangemanchetter	Sørg for, at manchetter er fastgjort til huset
	Vakuumslangen er tilstoppet	Fjern forhindring fra vakuumslange
Ujævn eller ingen spray	Opløsningstanken er tom eller har lavt indhold	Fyld opløsningstanken
	Vakuumpumpe / pumpekontakt er ikke tændt	Tænd kontakten
	Beskidte eller tilstoppede spraydyser	Rengør eller udskift spraydyser
	Forkert dysestørrelse eller sprayvinkel	Kontakt distributøren
	Slidte spraydyser	Kontakt distributøren
	Defekt opløsningspumpe	Kontakt distributøren
	Tilstoppet filter til opløsningsbeholder	Rengør eller udskift filteret
	Klemt eller knækket opløsningslange	Kontrollér for forhindringer og knæk og omdiriger eller udskift om nødvendigt

PROBLEMLØSNING**BORTSKAFFELSE**

Bortskaf maskinen på en kvalificeret affaldsbehandlingsinstitution.

Før maskinen bortskaffes, skal du fjerne og adskille nedenfor viste dele, ifølge relevante love og regler.

- Børste-/rondelholder
- Plasticlange og plasticdele
- Elektriske og elektroniske komponenter (*)

(*) Kontakt venligst vores firmas servicecenter før bortskaffelse af maskinens elektriske og elektroniske dele.

Bortskaffelse og genanvendelse af maskinens materialer

Type	Genanvendelsesprocent	WOLF130 Vægtprocent %
Elektriske motorer-flere	20%	22%
Jernholdige materialer	80%	20%
Ledninger	80%	1%
Væsker	100%	0%
Ikke-genanvendelige plasticdele	0%	1%
Genanvendelige plasticdele	100%	45%
Gummi	20%	1%

ΕΙΣΑΓΩΓΗ**ΣΗΜΕΙΩΣΗ**

Οι αριθμοί στις παρενθέσεις αναφέρονται στα εξαρτήματα που εμφανίζονται στο κεφάλαιο <<Περιγραφή του μηχανήματος>>.

ΣΚΟΠΟΣ ΚΑΙ ΠΕΡΙΕΧΟΜΕΝΟ ΤΟΥ ΟΔΗΓΟΥ

Σκοπός αυτών των οδηγιών χρήσης είναι να εφοδιάσουν τον χειριστή με όλες τις βασικές πληροφορίες, καθώς και με πληροφορίες σχετικά με τα τεχνικά χαρακτηριστικά, τη λειτουργία, την αδράνεια του μηχανήματος, τα ανταλλακτικά, τις συνθήκες ασφαλείας κλπ. Πριν από την εκτέλεση οποιασδήποτε διαδικασίας στο μηχάνημα, οι διαχειριστές και οι εξειδικευμένοι τεχνικοί πρέπει να διαβάσουν το εγχειρίδιο με τις Οδηγίες χρήσης. Επικοινωνήστε με την εταιρεία μας σε περίπτωση που έχετε αμφιβολία ως προς την ερμηνεία των οδηγιών ή για οποιαδήποτε περαιτέρω πληροφορία.

ΤΡΟΠΟΣ ΦΥΛΑΞΗΣ ΑΥΤΩΝ ΤΩΝ ΟΔΗΓΙΩΝ ΧΡΗΣΗΣ

Πρέπει να φυλάσσετε τις οδηγίες χρήσης κοντά στο μηχάνημα, μέσα σε κατάλληλη θήκη, μακριά από υγρά και άλλες ουσίες που μπορούν να προκαλέσουν οποιαδήποτε ζημιά σε αυτόν.

ΔΗΛΩΣΗ ΣΥΜΜΟΡΦΩΣΗΣ

Η δήλωση συμμόρφωσης συνοδεύει το μηχάνημα και πιστοποιεί ότι το μηχάνημα πληροί τις προϋποθέσεις της ισχύουσας νομοθεσίας.

**ΣΗΜΕΙΩΣΗ**

Αντίγραφα της αρχικής δήλωσης συμμόρφωσης συνοδεύουν τα έγγραφα του μηχανήματος.

ΑΞΕΣΟΥΑΡ ΚΑΙ ΣΥΝΤΗΡΗΣΗ

Όλες οι απαραίτητες διαδικασίες λειτουργίας, συντήρησης και επισκευής πρέπει να εκτελούνται από εξειδικευμένο προσωπικό, είτε από εξουσιοδοτημένο Κέντρο εξυπηρέτησης που έχει καθοριστεί από την εταιρεία μας. Θα πρέπει να χρησιμοποιούνται ΜΟΝΟ εξουσιοδοτημένα ανταλλακτικά και αξεσουάρ.

Εάν χρειαστεί, επικοινωνήστε με το Κέντρο εξυπηρέτησης πελατών της εταιρείας μας, για οποιαδήποτε εξυπηρέτηση ή για να αγοράσετε αξεσουάρ ή ανταλλακτικά.

ΑΛΛΑΓΗ ΚΑΙ ΒΕΛΤΙΩΣΗ

Έχουμε δεσμευτεί για συνεχή βελτίωση των προϊόντων μας και η εταιρεία διατηρεί το δικαίωμα αλλαγών και βελτιώσεων του μηχανήματος χωρίς πρόσθετη ενημέρωση.

ΠΕΔΙΟ ΕΦΑΡΜΟΓΗΣ

Αυτό το μηχάνημα προορίζεται για επαγγελματική χρήση. Κατασκευάζεται για χρήση σε εσωτερικό χώρο και δεν προορίζεται για καμία άλλη χρήση. Χρησιμοποιήστε μόνο συνιστώμενα εξαρτήματα.

ΣΤΟΙΧΕΙΑ ΑΝΑΓΝΩΡΙΣΗΣ ΜΗΧΑΝΗΜΑΤΟΣ

Ο σειριακός αριθμός του μηχανήματος και το όνομα του μοντέλου αναγράφονται στη σειριακή ετικέτα.

Η πληροφορία αυτή είναι χρήσιμη. Χρησιμοποιήστε τον παρακάτω πίνακα για να γράψετε τα στοιχεία αναγνώρισης του μηχανήματος, όταν χρειάζεστε ανταλλακτικά για το μηχάνημα.

ΜΟΝΤΕΛΟ ΜΗΧΑΝΗΜΑΤΟΣ

ΣΕΙΡΙΑΚΟΣ ΑΡΙΘΜΟΣ ΜΗΧΑΝΗΜΑΤΟΣ

ΜΕΤΑΦΟΡΑ ΚΑΙ ΑΠΟΣΥΣΚΕΥΑΣΙΑ

Ελέγξτε προσεκτικά το χαρτοκιβώτιο αποστολής για σημάδια ζημιάς. Αναφέρετε αμέσως τυχόν ζημιά του χαρτοκιβωτίου στον μεταφορέα.

Ελέγξτε το περιεχόμενο του χαρτοκιβωτίου για να βεβαιωθείτε ότι είναι πλήρες. Επικοινωνήστε με τον τοπικό σας διανομέα εάν λείπει κάτι.

Περιεχόμενα:

- Καθαριστικό μοκετών
- Εύκαμπτοι σωλήνες αναρρόφησης και διαλύματος
- Εργαλείο χειρός

ΑΣΦΑΛΕΙΑ

Τα παρακάτω σύμβολα υποδεικνύουν πιθανές επικίνδυνες καταστάσεις. Να διαβάζετε πάντα τις πληροφορίες προσεκτικά και να παίρνετε όλες τις απαραίτητες προφυλάξεις για την προστασία ανθρώπων και περιουσίας.

ΟΡΑΤΑ ΣΥΜΒΟΛΑ ΣΤΟ ΜΗΧΑΝΗΜΑ**ΠΡΟΕΙΔΟΠΟΙΗΣΗ!**

Διαβάστε όλες τις οδηγίες προσεκτικά πριν προβείτε σε οποιαδήποτε εργασία στο μηχάνημα.

**ΠΡΟΕΙΔΟΠΟΙΗΣΗ!**

Μην πλένετε το μηχάνημα με νερό που πέφτει κατευθείαν πάνω του ή με νερό υπό πίεση.

ΣΥΜΒΟΛΑ ΠΟΥ ΕΜΦΑΝΙΖΟΝΤΑΙ ΣΤΙΣ ΟΔΗΓΙΕΣ ΧΡΗΣΗΣ**ΚΙΝΔΥΝΟΣ!**

Υποδεικνύει μια επικίνδυνη κατάσταση με κίνδυνο θανάτου για το χειριστή.

**ΠΡΟΕΙΔΟΠΟΙΗΣΗ!**

Αυτό δείχνει έναν πιθανό κίνδυνο τραυματισμού για τους ανθρώπους.

**ΠΡΟΣΟΧΗ!**

Αυτό δείχνει μία προφύλαξη ή παρατήρηση που σχετίζεται με σημαντικές ή χρήσιμες λειτουργίες. Δώστε προσοχή στις παραγράφους που επισημαίνονται με αυτό το σύμβολο.

**ΣΗΜΕΙΩΣΗ**

Αυτό δείχνει μια παρατήρηση που σχετίζεται με σημαντικές ή χρήσιμες λειτουργίες.

**ΣΥΜΒΟΥΛΕΣ**

Αυτό δείχνει την ανάγκη να συμβουλευτείτε τις οδηγίες χρήσης πριν εκτελέσετε κάποια διαδικασία.

ΓΕΝΙΚΕΣ ΟΔΗΓΙΕΣ ΑΣΦΑΛΕΙΑΣ

Γενικά – Αυτό το μηχάνημα καθαρισμού μοκετών πρέπει να γειώνεται κατά τη χρήση του, για την προστασία του χειριστή από ηλεκτροπληξία. Το μηχάνημα διαθέτει ένα βύσμα προσάρτησης τύπου γείωσης τριών επαφών για την τοποθέτηση της κατάλληλης υποδοχής τύπου γείωσης. Ο πράσινος (ή πράσινος και κίτρινος) αγωγός στο καλώδιο είναι το σύρμα γείωσης. Αυτό το σύρμα πρέπει να συνδέεται πάντα αποκλειστικά με τον ακροδέκτη γείωσης του βύσματος προσάρτησης.

Αυτό το μηχάνημα προορίζεται για χρήση σε κύκλωμα με ονομαστική τάση 220-240 Volt και διαθέτει ένα βύσμα γείωσης που μοιάζει με το βύσμα που απεικονίζεται στο παρακάτω σχήμα. Βεβαιωθείτε ότι το μηχάνημα είναι συνδεδεμένο σε πρίζα που έχει την ίδια διαμόρφωση με το βύσμα. Δεν πρέπει να χρησιμοποιείται προσαρμογέας με αυτό το μηχάνημα.

Παρακάτω εμφανίζονται ειδικές προειδοποιήσεις και προφυλάξεις που ενημερώνουν σχετικά με πιθανές ζημιές σε ανθρώπους και το μηχάνημα.

**ΚΙΝΔΥΝΟΣ!**

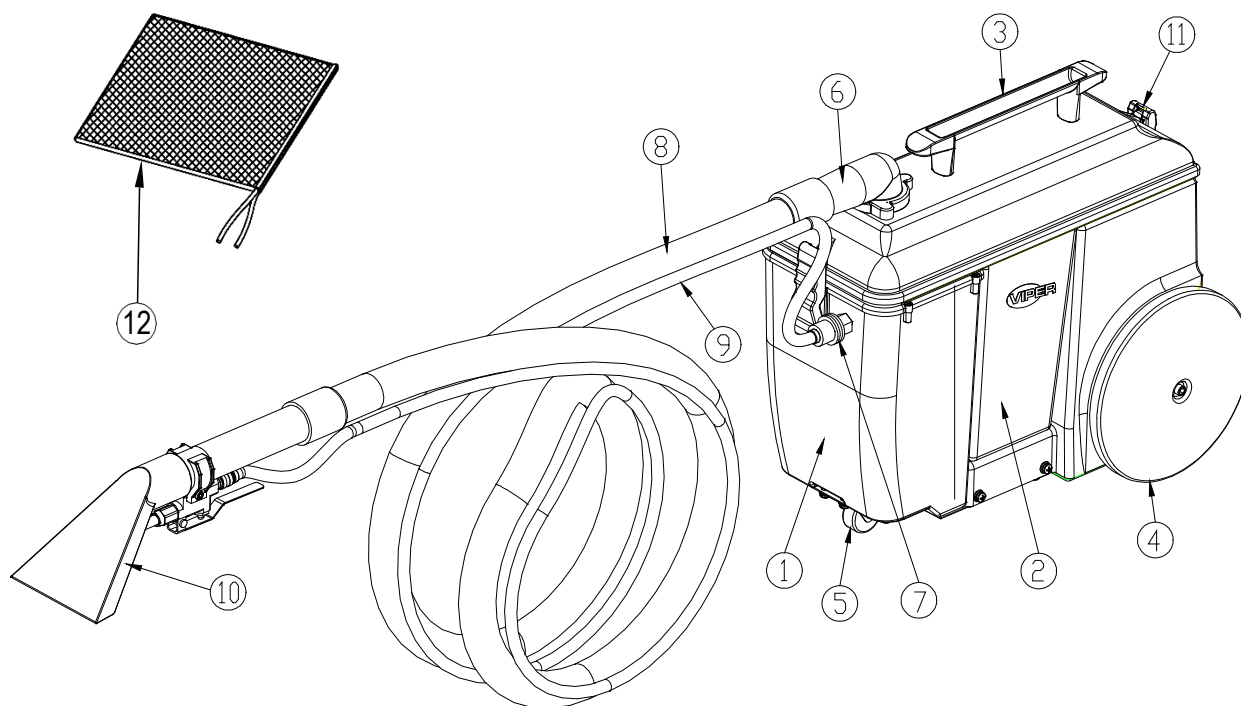
- Αυτό το μηχάνημα πρέπει να το λειτουργεί εκπαιδευμένο και εξουσιοδοτημένο προσωπικό, σύμφωνα με τις οδηγίες του εγχειριδίου.
- Προτού εκτελέσετε οποιαδήποτε διαδικασία καθαρισμού, συντήρησης, επισκευής ή αντικατάστασης, διαβάστε προσεκτικά όλες τις οδηγίες και φροντίστε να απενεργοποιήσετε το μηχάνημα.
- Μη λειτουργείτε το μηχάνημα κοντά σε τοξικές, επικίνδυνες, εύφλεκτες ή / και εκρηκτικές σκόνες, υγρά ή ατμούς. Αυτό το μηχάνημα δεν είναι κατάλληλο για τη συλλογή επικίνδυνης σκόνης.
- Μη φοράτε κοσμήματα όταν εργάζεστε κοντά σε ηλεκτρικά εξαρτήματα.
- Μην εργάζεστε κάτω από το ανυψωμένο μηχάνημα αν δεν υποστηρίζεται με βάσεις ασφαλείας.

**ΠΡΟΕΙΔΟΠΟΙΗΣΗ!**

- Αυτό το μηχάνημα προορίζεται για ΕΠΑΓΓΕΛΜΑΤΙΚΗ ΧΡΗΣΗ, για παράδειγμα, σε ξενοδοχεία, σχολεία, νοσοκομεία, εργοστάσια, καταστήματα, γραφεία και επιχειρήσεις εκμισθώσεων.
- Τα μηχανήματα που αφήνονται χωρίς επίβλεψη θα πρέπει να ασφαρίζονται έναντι αθέλητης μετακίνησης.
- Για να αποφευχθεί η μη εξουσιοδοτημένη χρήση του μηχανήματος, η πηγή τροφοδοσίας ισχύος θα απενεργοποιείται ή θα κλειδώνεται.
- Ελέγξτε προσεκτικά το μηχάνημα πριν από κάθε χρήση. Βεβαιωθείτε ότι όλα τα εξαρτήματα έχουν συναρμολογηθεί καλά πριν από τη χρήση. Τα μη ασφαλισμένα εξαρτήματα μπορεί να προκαλέσουν τραυματισμούς σε ανθρώπους και ζημιές σε περιουσίες.
- Ποτέ μη μετακινείτε το μηχάνημα τραβώντας το καλώδιο. Μην περνάτε το καλώδιο μέσα από κλειστή πόρτα ή πάνω από αιχμηρές άκρες ή γωνίες. Μην περνάτε το μηχάνημα πάνω από το καλώδιο. Διατηρήστε το καλώδιο μακριά από θερμαινόμενες επιφάνειες.
- Για να μειώσετε τον κίνδυνο πυρκαγιάς, ηλεκτροπληξίας ή τραυματισμού, βεβαιωθείτε ότι η συσκευή είναι απενεργοποιημένη πριν φύγετε.
- Να χρησιμοποιείτε ή να αποθηκεύετε το μηχάνημα σε εσωτερικούς χώρους, σε στεγνό περιβάλλον. Δεν επιτρέπεται η χρήση του σε εξωτερικούς χώρους.
- Η θερμοκρασία αποθήκευσης και λειτουργίας του μηχανήματος πρέπει να είναι μεταξύ 0°C και +40°C. Η υγρασία του αέρα πρέπει να είναι μεταξύ 30% - 95%.
- Μη χρησιμοποιείτε το μηχάνημα σε πλαγιές με κλίση μεγαλύτερη από αυτή που περιλαμβάνεται στις προδιαγραφές.
- Όταν χρησιμοποιείτε και μεταχειρίζεστε απορρυπαντικά καθαρισμού πατωμάτων, ακολουθήστε τις οδηγίες που αναγράφονται στις ετικέτες των απορρυπαντικών και φορέστε κατάλληλα γάντια και προστατευτικά γυαλιά.
- Σε περίπτωση δυσλειτουργίας του μηχανήματος, ελέγξτε εάν οφείλεται σε έλλειψη συντήρησης. Εάν χρειάζεται, ζητήστε βοήθεια από εξουσιοδοτημένο προσωπικό ή από εξουσιοδοτημένο Κέντρο εξυπηρέτησης.

- Λάβετε όλες τις απαραίτητες προφυλάξεις για να μην πιαστούν μαλλιά, κοσμήματα και χαλαρά ενδύματα από κινούμενα μέρη του μηχανήματος.
- Μη χρησιμοποιείτε αυτό το μηχάνημα σε ιδιαίτερα βρώμικες περιοχές.
- Μην πλένετε το μηχάνημα με νερό που πέφτει κατευθείαν πάνω του ή με νερό υπό πίεση, ή με διαβρωτικές ουσίες.
- Μη χτυπάτε πάνω σε ράφια ή σκαλωσιές, ιδίως εάν υπάρχει κίνδυνος πτώσης αντικειμένων.
- Μην ακουμπάτε δοχεία υγρού πάνω στο μηχάνημα, χρησιμοποιήστε τις θήκες για κάθε δοχείο.
- Σε περίπτωση πυρκαγιάς, χρησιμοποιήστε πυροσβεστήρα ξηρής σκόνης. Μη χρησιμοποιείτε πυροσβεστήρες υγρού.
- Μην αφαιρείτε ή τροποποιείτε τις ετικέτες πάνω στο μηχάνημα.
- Προσοχή κατά τη μεταφορά του μηχανήματος όταν η θερμοκρασία είναι κάτω από το σημείο ψύξης. Το νερό στον κάδο ακάθαρτου υγρού και στους σωλήνες μπορεί να παγώσει και να προκαλέσει σοβαρή βλάβη στο μηχάνημα.
- Εάν χρειάζεται να αντικατασταθούν κάποια ανταλλακτικά, παραγγείλτε ΓΝΗΣΙΑ ανταλλακτικά από εξουσιοδοτημένους εμπόρους, ή μεταπωλητές.
- Επιστρέψτε το μηχάνημα στο Κέντρο εξυπηρέτησης εάν δεν λειτουργεί όπως συνήθως ή εάν έχει ζημιά.
- Για να εξασφαλίσετε σωστή και ασφαλή λειτουργία του μηχανήματος, πρέπει να πραγματοποιηθεί η προγραμματισμένη συντήρηση που φαίνεται στο σχετικό κεφάλαιο του παρόντος εγχειριδίου, από το αρμόδιο προσωπικό ή από εξουσιοδοτημένους εμπόρους, ή μεταπωλητές.
- Αυτό το μηχάνημα αποτελεί μόνο εργαλείο καθαρισμού και δεν προορίζεται για κανέναν άλλον σκοπό.
- Να καθαρίζετε πάντοτε τρίχες, σκόνη, και οποιοδήποτε άλλο ξένο υλικό από τα ανοίγματα, γιατί μπορεί να μειώσουν τη ροή αέρα. Μη χρησιμοποιείτε το μηχάνημα εάν έχουν φράξει τα ανοίγματα.
- Χρησιμοποιήστε το μηχάνημα μόνο όταν υπάρχει κατάλληλος φωτισμός.
- Το μηχάνημα δεν προορίζεται για χρήση από άτομα (συμπεριλαμβανομένων παιδιών) με μειωμένες σωματικές, αισθητήριες ή διανοητικές ικανότητες ή έλλειψη εμπειρίας και γνώσης.
- Ιδιαίτερη προσοχή απαιτείται όταν χρησιμοποιείται κοντά σε παιδιά.
- Τα παιδιά πρέπει να επιτηρούνται ώστε να μην παίζουν με το μηχάνημα.
- Όταν χρησιμοποιείτε αυτό το μηχάνημα, προσέξτε να μην προκληθεί ζημιά σε ανθρώπους ή αντικείμενα.
- Δεν θα πραγματοποιείται καθαρισμός και συντήρηση από παιδιά χωρίς επίβλεψη.
- Οι χειριστές οφείλουν να λάβουν επαρκείς οδηγίες σχετικά με τη χρήση αυτών των μηχανημάτων.
- Αυτή η συσκευή εμπεριέχει μια σύνδεση γείωσης μόνο για λειτουργικούς σκοπούς.
- Εάν το καλώδιο παροχής έχει υποστεί ζημιά, πρέπει να αντικατασταθεί από τον κατασκευαστή, τον υπεύθυνο επισκευών ή από εξίσου εξειδικευμένα άτομα για αποφυγή κινδύνων.
- Αφαίρεση του βύσματος από την πρίζα κατά τον καθαρισμό ή τη συντήρηση και κατά την αντικατάσταση εξαρτημάτων ή την εναλλαγή της συσκευής σε άλλη λειτουργία

ΠΕΡΙΓΡΑΦΗ ΤΟΥ ΜΗΧΑΝΗΜΑΤΟΣ
ΔΟΜΗ ΜΗΧΑΝΗΜΑΤΟΣ

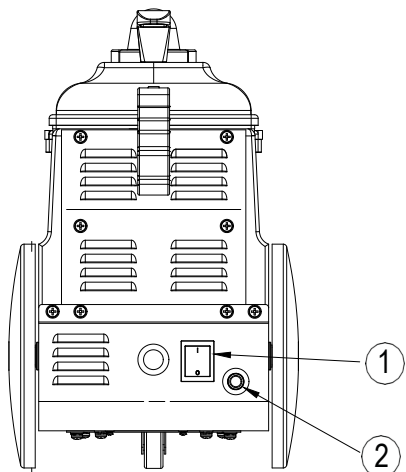


Σχήμα 1

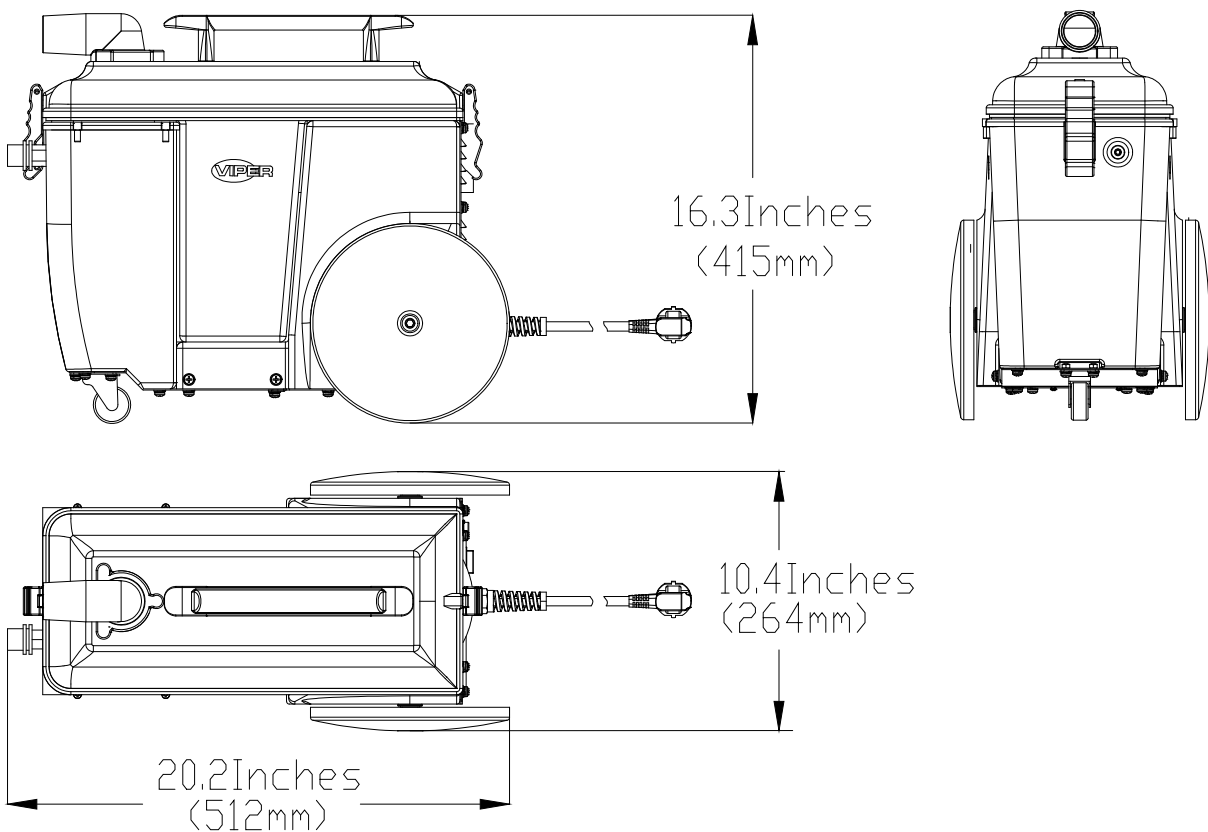
- | | |
|---|--|
| 1. Δοχείο διαλύματος | 7. Σύνδεση εύκαμπτου σωλήνα διαλύματος |
| 2. Δοχείο ανάκτησης | 8. Εύκαμπτος σωλήνας αναρρόφησης |
| 3. Λαβή | 9. Εύκαμπτος σωλήνας διαλύματος |
| 4. Τροχοί μεταφοράς | 10. Εργαλείο χειρός |
| 5. Μπροστινός τροχός | 11. Σφικτήρας |
| 6. Σύνδεση εύκαμπτου σωλήνα αναρρόφησης | 12. Μπλε τσάντα αξεσουάρ |

ΠΙΝΑΚΑΣ ΕΛΕΓΧΟΥ

1. Διακόπτης ισχύος
2. Σύστημα προστασίας από υπερφόρτωση



ΜΕΓΕΘΟΣ ΜΗΧΑΝΗΜΑΤΟΣ

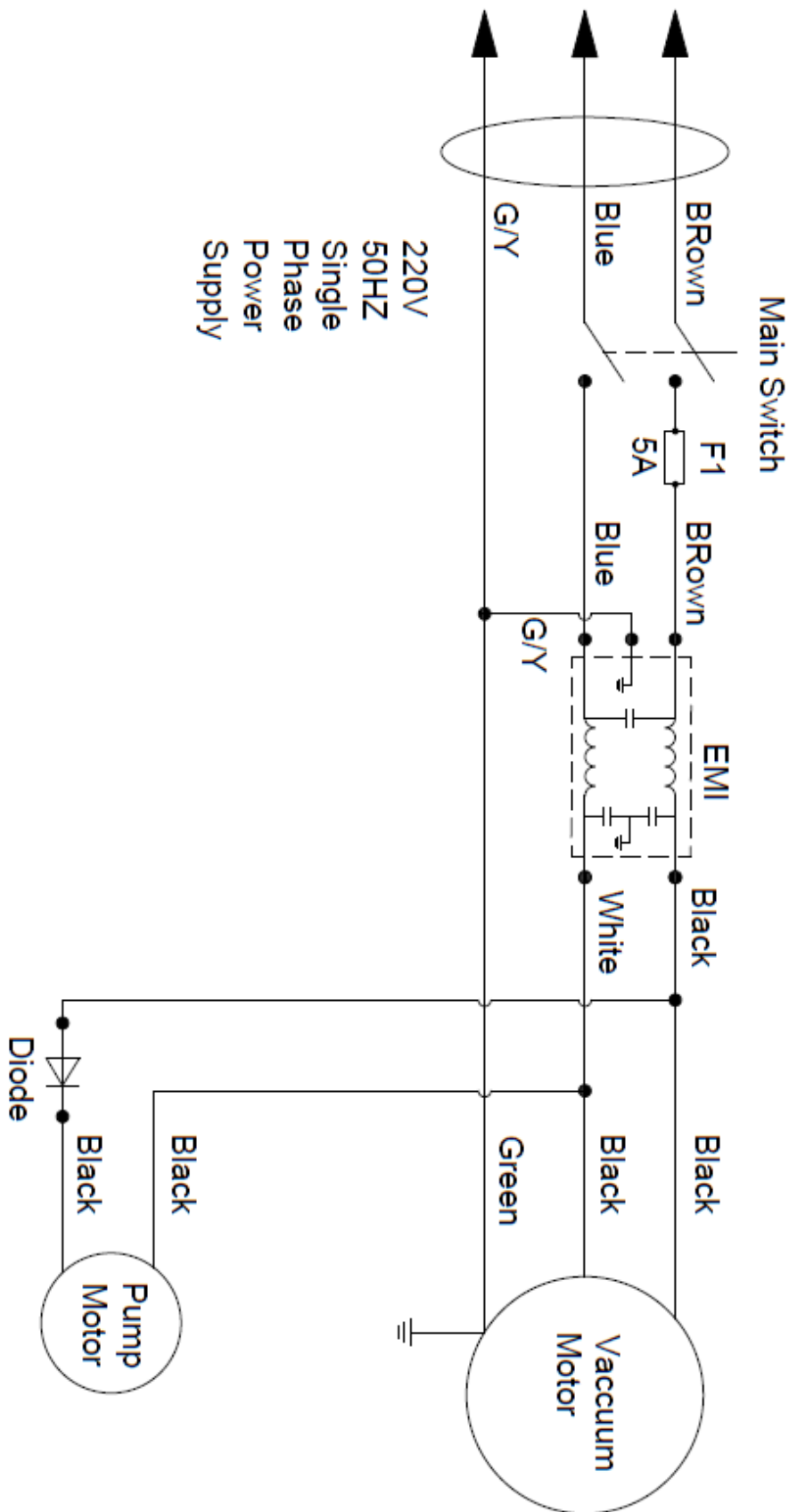


ΤΕΧΝΙΚΕΣ ΠΑΡΑΜΕΤΡΟΙ

Μοντέλα	EU	UK	TURKEY
Κύρια περιγραφή	WOLF130		
Αρ. αναφ. Κωδικός αποθέματος	50000589	50000604	50000603
Τάση	220-240V		
Μοτέρ αναρρόφησης	1000W		
Κατανάλωση ρεύματος	4.7 Amp		
Βάρος	9.85kg		
Βάρος αποστολής	29.8 lbs. (13.5kg)		
Επίπεδο ηχητικής ισχύος	80 dB		
Στάθμη ηχητικής πίεσης	67 dB A		
Πίεση αντλίας διαλύματος	30PSI (2bar)		
Ανύψωση νερού (Μέγ. αναρρόφηση)	85 in H ₂ O (21.8kpa)		
Καλώδιο ρεύματος ft	10 m, Πορτοκαλί ασφαλείας		
Διαδρομή καθαρισμού in	4 "(10.2 cm)		
Δοχείο διαλύματος και ανάκτησης Gal	3.8L		
Εύκαμπτοι σωλήνες διαλύματος και αναρρόφησης ft	3m		
Διαστάσεις Μ x Π x Υ	23.3 x 15.4 x 19.3 in (59 x 39 x 49 cm)		

(*): Προαιρετικά

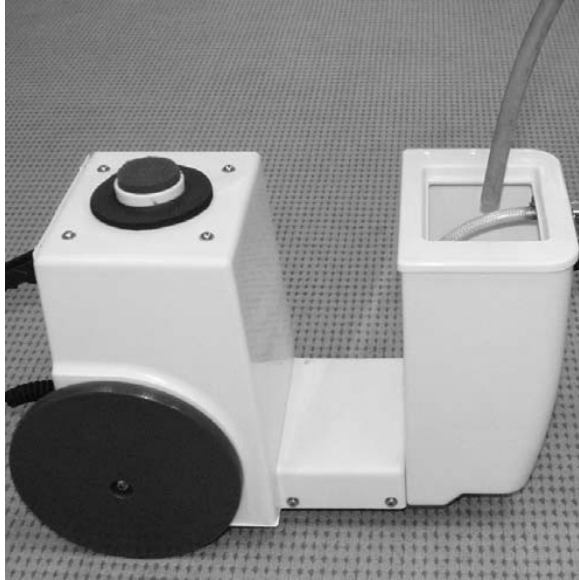
ΔΙΑΓΡΑΜΜΑ ΚΑΛΩΔΙΩΣΗΣ



ΟΔΗΓΙΕΣ ΧΡΗΣΗΣ

Διαβάστε προσεκτικά το εγχειρίδιο χειριστή πριν από τη λειτουργία ή το σέρβις αυτού του μηχανήματος

- 1) Χρησιμοποιώντας έναν εύκαμπτο σωλήνα ή κουβά, γεμίστε το δοχείο με έως 1 γαλόνι νερού (η θερμοκρασία του νερού είναι μικρότερη από 50°C).



Μη χρησιμοποιείτε εύφλεκτα υγρά και μη χειρίζεστε το μηχάνημα μέσα ή κοντά σε εύφλεκτα υγρά ή ατμούς

- 2) Συνδέστε τον εύκαμπτο σωλήνα διαλύματος και τον εύκαμπτο σωλήνα αναρρόφησης στο μηχάνημα.
- 3) Συνδέστε το καλώδιο ρεύματος σε μια γειωμένη πρίζα στον τοίχο. (βλ. οδηγίες γείωσης)

ΛΕΙΤΟΥΡΓΙΑ ΤΟΥ ΜΗΧΑΝΗΜΑΤΟΣ**ΠΡΙΝ ΑΠΟ ΤΗΝ ΑΦΑΙΡΕΣΗ ΛΕΚΕΔΩΝ**

- 1) Επιθεωρήστε το καλώδιο ρεύματος για τυχόν ζημιές. Αντικαταστήστε το καλώδιο εάν διαπιστωθεί κάποια ζημιά.
- 2) Σκουπίστε το χαλί για να αφαιρέσετε σκουπίδια πριν από την αφαίρεση του λεκέ.

ΑΦΑΙΡΕΣΗ ΛΕΚΕΔΩΝ

- 1) Θέστε τον διακόπτη ισχύος στη θέση «I».
ΣΗΜΕΙΩΣΗ: Το διάλυμα ψεκάζεται μόνο όταν τραβηχτεί η λαβή ψεκασμού (στο εργαλείο χειρός).
- 2) Για να ξεκινήσετε τον καθαρισμό, τραβήξτε τη λαβή ψεκασμού (εργαλείο χειρός) και αρχίστε να τραβάτε το εργαλείο προς τα πίσω πάνω από τον λεκέ.
- 3) Απελευθερώστε τη λαβή ψεκασμού όταν φτάσετε στο τέλος του λεκέ. Συνεχίστε να τραβάτε το εργαλείο χειρός προς τα πίσω για άλλες 4 ίντσες για να περισυλλέξετε την περίσσεια του διαλύματος.



- 4) Συνεχίστε μέχρι ο λεκές να αφαιρεθεί.

ΣΥΜΒΟΥΛΕΣ ΓΙΑ ΤΟΝ ΧΕΙΡΙΣΜΟ

- 1) Χρησιμοποιήστε μόνο κρύο νερό. Το ζεστό νερό μπορεί να αφήσει κηλίδες.
- 2) Ελέγχετε συνεχώς για συσσώρευση αφρού στο δοχείο ανάκτησης. Χρησιμοποιήστε ένα διάλυμα ελέγχου αφρισμού που συστήνεται από τον διανομέα.
ΣΗΜΕΙΩΣΗ: Η υπερβολική συσσώρευση αφρού θα προκαλέσει ζημιά στο μοτέρ αναρρόφησης.
- 3) Επαναλάβετε τη διαδρομή καθαρισμού σε πολύ βρώμικες περιοχές.
- 4) Όταν τελειώσει η ανάκτηση του βρώμικου διαλύματος ή αδειάσει το δοχείο διαλύματος, πρέπει να αδειάσετε το δοχείο ανάκτησης. (βλ. ΕΚΚΕΝΩΣΗ ΔΟΧΕΙΟΥ)

ΕΚΚΕΝΩΣΗ ΔΟΧΕΙΩΝ**ΕΚΚΕΝΩΣΗ ΔΟΧΕΙΟΥ ΔΙΑΛΥΜΑΤΟΣ**

- 1) Απενεργοποιήστε το μηχάνημα και αποσυνδέστε το από την πηγή ρεύματος.
- 2) Αποσυνδέστε τους εύκαμπτους σωλήνες διαλύματος και αναρρόφησης από το μπροστινό μέρος του μηχανήματος.
- 3) Ανοίξτε τους σφιγκτήρες στο δοχείο ανάκτησης και αφαιρέστε το δοχείο ανάκτησης από το μηχάνημα.
- 4) Μεταφέρετε το δοχείο διαλύματος σε εγκεκριμένη αποχέτευση και απορρίψτε το περιεχόμενο.

ΕΚΚΕΝΩΣΗ ΔΟΧΕΙΟΥ ΑΝΑΚΤΗΣΗΣ

- 1) Απενεργοποιήστε το μηχάνημα και αποσυνδέστε το από την πηγή ρεύματος.
- 2) Ανοίξτε τους σφιγκτήρες στο δοχείο ανάκτησης και αφαιρέστε το δοχείο ανάκτησης από το μηχάνημα.
- 3) Μεταφέρετε το δοχείο ανάκτησης σε εγκεκριμένη αποχέτευση και απορρίψτε το περιεχόμενο.



- 4) Ξεπλύνετε το δοχείο ανάκτησης με καθαρό νερό.
- 5) Συναρμολόγησε ξανά το μηχάνημα.

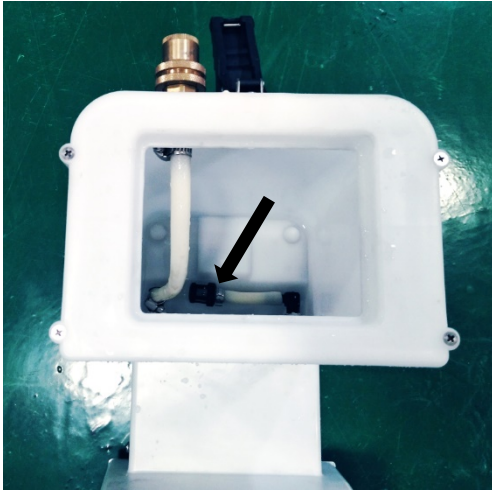
ΣΥΝΤΗΡΗΣΗ

Για να διατηρήσετε την καλή απόδοση του μηχανήματος για πολλά χρόνια, ακολουθήστε τις παρακάτω διαδικασίες συντήρησης.

!!! Να επιβεβαιώνετε πάντα ότι το μηχάνημα είναι αποσυνδεδεμένο από την πρίζα προτού εκτελέσετε οποιαδήποτε εργασία συντήρησης ή επισκευής!!!

ΚΑΘΗΜΕΡΙΝΗ ΣΥΝΤΗΡΗΣΗ

- 1) Όταν ολοκληρωθεί η διαδικασία καθαρισμού για την ημέρα, αδειάστε και ξεπλύνετε καλά το δοχείο ανάκτησης με καθαρό νερό.
- 2) Αφαιρέστε το υπόλοιπο διάλυμα από το δοχείο διαλύματος.
- 3) Αφαιρέστε το φίλτρο κενού και ξεπλύνετε με καθαρό νερό.
- 4) Τοποθετήστε ξανά το φίλτρο όταν στεγνώσει.



- 5) Αφαιρέστε και επιθεωρήστε το ακροφύσιο ψεκασμού. Εάν χρειάζεται, καθαρίστε το ακροφύσιο.
ΣΗΜΕΙΩΣΗ: Μην καθαρίζετε το ακροφύσιο με αιχμηρό αντικείμενο, καθώς θα προκληθεί ζημιά.

- 6) Ελέγξτε τη λωρίδα βούρτσας και αφαιρέστε τυχόν ακαθαρσίες ή ίνες μοκέτας.
- 7) Ελέγξτε το μετωπικό εργαλείο συλλογής και αφαιρέστε τυχόν ακαθαρσίες ή ίνες μοκέτας.
- 8) Καθαρίστε το μηχάνημα με μη λειαντικό καθαριστικό.
- 9) Επιθεωρήστε το καλώδιο ρεύματος για τυχόν ζημιές. Αντικαταστήστε, εάν χρειάζεται.

ΜΗΝΙΑΙΑ ΣΥΝΤΗΡΗΣΗ

- 1) Εκπλύνετε την αντλία και το υδραυλικό σύστημα με διάλυμα οξικού οξέος για να διαλύσετε τυχόν συσσώρευση χημικών.

Οδηγίες ανάμιξης:

- a. Αναμίξτε 8 oz. διαλύματος οξικού οξέος με 1 γαλόνι νερού και ρίξτε το στο δοχείο διαλύματος.

Ενεργοποιήστε τον διακόπτη αναρρόφησης / αντλίας.

- b. Τοποθετήστε την κεφαλή του εργαλείου δαπέδου πάνω από την αποχέτευση δαπέδου και τραβήξτε τη σκανδάλη διαλύματος για ένα (1) λεπτό.
- c. Απενεργοποιήστε το μηχάνημα και αφήστε το υπόλοιπο διάλυμα να παραμείνει στο μηχάνημα κατά τη διάρκεια της νύχτας.
- d. Την επόμενη ημέρα ψεκάστε το υπόλοιπο διάλυμα και ξεπλύνετε ξανά το σύστημα με 1 γαλόνι καθαρού νερού.

- 2) Επιθεωρήστε το μηχάνημα για τυχόν διαρροές νερού.
- 3) Ελέγξτε το μηχάνημα για τυχόν παξιμάδια, βίδες και μπουλόνια που έχουν χαλαρώσει ή λείπουν και αντικαταστήστε τα ανάλογα με τις ανάγκες.

ΑΠΟΘΗΚΕΥΣΗ ΜΗΧΑΝΗΜΑΤΟΣ

- 3) Πριν από την αποθήκευση του μηχανήματος, βεβαιωθείτε ότι τα δοχεία διαλύματος και ανάκτησης είναι καθαρά και άδεια από οποιοδήποτε διάλυμα.
- 4) Αποθηκεύστε το μηχάνημα σε όρθια θέση σε ξηρό χώρο, με τον εύκαμπτο σωλήνα αναρρόφησης να έχει αφαιρεθεί ώστε να επιτρέπεται η κυκλοφορία αέρα.

ΣΗΜΕΙΩΣΗ: Στην περίπτωση αποθήκευσης του μηχανήματος σε χώρο όπου μπορεί να παγώσει, βεβαιωθείτε ότι τόσο τα δοχεία όσο και το υδραυλικό σύστημα είναι έχον αδειάσει από όλο το νερό και είναι στεγνά!

ΒΑΣΙΚΗ ΑΝΤΙΜΕΤΩΠΙΣΗ ΠΡΟΒΛΗΜΑΤΩΝ

Πρόβλημα	Πιθανή αιτία	Λύση
Το μηχάνημα δεν λειτουργεί	Δεν έχει συνδεθεί σε πηγή ρεύματος	Συνδέστε σε γειωμένη πρίζα
	Ελαττωματικό καλώδιο ρεύματος	Επικοινωνήστε με τον διανομέα
	Ελαττωματική επέκταση καλωδίου ρεύματος	Αντικαταστήστε με νέα επέκταση καλωδίου ρεύματος
	Ενεργοποιήθηκε ο διακόπτης κυκλώματος του κτιρίου	Επαναφέρετε τον διακόπτη κυκλώματος
Η αντλία διαλύματος δεν λειτουργεί	Ο διακόπτης αναρρόφησης / αντλίας δεν είναι ενεργοποιημένος	Ενεργοποιήστε τον διακόπτη
	Ελαττωματικός διακόπτης αναρρόφησης / αντλίας	Επικοινωνήστε με τον διανομέα
	Ελαττωματική ηλεκτρομαγνητική βαλβίδα	Επικοινωνήστε με τον διανομέα
	Ελαττωματική αντλία διαλύματος	Επικοινωνήστε με τον διανομέα
	Υπερθέρμανση αντλίας	Προσδιορίστε την αιτία και αφήστε την αντλία να κρυώσει για 30 λεπτά
	Χαλάρωση ή θραύση καλωδίων	Επικοινωνήστε με τον διανομέα
Το μοτέρ αναρρόφησης δεν λειτουργεί	Ο διακόπτης αναρρόφησης / αντλίας δεν είναι ενεργοποιημένος	Ενεργοποιήστε τον διακόπτη
	Ελαττωματικός διακόπτης αναρρόφησης / αντλίας	Επικοινωνήστε με τον διανομέα
	Ενεργοποιήθηκε το θερμικό υπερφόρτωσης του μοτέρ αναρρόφησης	Ελέγξτε για τυχόν φραγές και αφήστε να κρυώσει για 30 λεπτά
	Ελαττωματικό μοτέρ αναρρόφησης	Επικοινωνήστε με τον διανομέα
	Φθαρμένες ανθρακικές ψήκτρες	Επικοινωνήστε με τον διανομέα
	Χαλάρωση ή θραύση καλωδίων	Επικοινωνήστε με τον διανομέα
Ανεπαρκής συλλογή	Διαρροή αέρα γύρω από το παρέμβυσμα ανάκτησης	Βεβαιωθείτε ότι το καπάκι ανάκτησης είναι καλά σφικμένο
	Το παρέμβυσμα κενού είναι κατεστραμμένο ή φθαρμένο	Αντικαταστήστε το παρέμβυσμα
	Χαλαρές συνδέσεις εύκαμπτου σωλήνα αναρρόφησης	Βεβαιωθείτε ότι οι συνδέσεις του εύκαμπτου σωλήνα αναρρόφησης είναι σφιχτές
	Ελαττωματικός εύκαμπτος σωλήνας αναρρόφησης	Αντικαταστήστε τον εύκαμπτο σωλήνα αναρρόφησης
	Χαλαρά περιαιχθένια εύκαμπτου σωλήνα αναρρόφησης	Βεβαιωθείτε ότι τα περιαιχθένια είναι στερεωμένα στο περίβλημα
	Φραγμένοι εύκαμπτος σωλήνας αναρρόφησης	Αφαιρέστε τυχόν φραγές από τον εύκαμπτο σωλήνα αναρρόφησης
Ανομοιομορφος ή καθόλου ψεκασμός διαλύματος	Το δοχείο διαλύματος είναι άδειο ή έχει χαμηλή στάθμη	Γεμίστε το δοχείο διαλύματος
	Ο διακόπτης αναρρόφησης / αντλίας δεν είναι ενεργοποιημένος	Ενεργοποιήστε τον διακόπτη
	Βρώμικα ή φραγμένα ρύγχη ψεκασμού	Καθαρίστε ή αντικαταστήστε τα ρύγχη ψεκασμού
	Ακατάλληλο μέγεθος ρύγχους ψεκασμού ή γωνία ψεκασμού	Επικοινωνήστε με τον διανομέα
	Φθαρμένα ρύγχη ψεκασμού	Επικοινωνήστε με τον διανομέα
	Ελαττωματική αντλία διαλύματος	Επικοινωνήστε με τον διανομέα
	Φραγμένο φίλτρο δοχείου διαλύματος	Καθαρίστε ή αντικαταστήστε το φίλτρο
	Ο εύκαμπτος σωλήνας διαλύματος συμπιέζεται ή έχει τσακίσει	Ελέγξτε για εμπόδια και στρεβλώσεις και αλλάξτε την τοποθέτηση ή αντικαταστήστε, αν χρειάζεται

ΑΝΤΙΜΕΤΩΠΙΣΗ ΠΡΟΒΛΗΜΑΤΩΝ**ΑΠΟΣΥΡΣΗ**

Το μηχάνημα μπορεί να αποσυρθεί από κάποια εταιρεία ειδικευμένη στην επεξεργασία λυμάτων.

Πριν αποσυναρμολογήσετε το μηχάνημα, πρέπει να απομακρύνετε πρώτα και να απομονώσετε τις παρακάτω μονάδες οι οποίες, με βάση τους σχετικούς νόμους και κανονισμούς, πρέπει να απορριφθούν με κατάλληλο τρόπο.

- Βούρτσα/βάση δίσκου
- Πλαστικός σωλήνας και πλαστικά μέρη
- Ηλεκτρικά και ηλεκτρονικά εξαρτήματα (*)

(*) Επικοινωνήστε με το κέντρο εξυπηρέτησης της εταιρείας μας σχετικά με την καταστροφή ηλεκτρικών και ηλεκτρονικών εξαρτημάτων.

Σύνθεση υλικών του μηχανήματος και ανακυκλωσιμότητα

Τύπος	Ποσοστό ανακυκλωσιμότητας	WOLF130 ποσοστό βάρους%
Ηλεκτρικοί κινητήρες - διάφοροι	20%	22%
Σιδηρούχα υλικά	80%	20%
Καλωδίωση	80%	1%
Υγρά	100%	0%
Πλαστικά μη ανακυκλώσιμα υλικά	0%	1%
Πλαστικά ανακυκλώσιμα υλικά	100%	45%
Καουτσούκ	20%	1%

INTRODUCCIÓN



NOTA

Los números entre paréntesis hacen referencia a los componentes que se muestran en la sección Descripción de la Máquina.

PROPÓSITO Y CONTENIDOS DE ESTA GUÍA

El propósito del presente Manual de Instrucciones de Uso es proporcionar al operador toda la información básica, los datos técnicos, el funcionamiento, el almacenamiento, las piezas de repuesto, las condiciones de seguridad etc.

Antes de efectuar cualquier operación en la máquina, los operadores y los técnicos calificados tienen que leer cuidadosamente el Manual de Instrucciones de Uso. En caso de dudas sobre la correcta interpretación de las instrucciones, contacte con nuestra empresa para obtener más información.

CÓMO GUARDAR EL MANUAL DE INSTRUCCIONES DE USO

El manual de instrucciones de uso debe conservarse junto a la máquina, dentro de su contenedor, lejos de líquidos y otras sustancias que podrían dañarlo.

DECLARACIÓN DE CONFORMIDAD

La Declaración de conformidad se suministra con la máquina y certifica la conformidad de la máquina con la ley vigente.



NOTA

Las copias de la declaración de conformidad original se proporcionan junto con la documentación de la máquina.

ACCESORIOS Y MANTENIMIENTO

Todos los procedimientos de operación, mantenimiento y reparación necesarios deben ser realizados por personal calificado o por los centros de servicio designados de nuestra empresa. SOLO se permite el uso de accesorios y piezas de repuesto originales.

Póngase en contacto con el servicio de atención al cliente de nuestra empresa por cualquier servicio o compra de accesorios o piezas de repuesto según necesario.

CAMBIOS Y MEJORAS

Estamos comprometidos con la mejora continua de nuestros productos, y la empresa se reserva el derecho de aportar cambios y mejoras al producto sin aviso previo.

ÁMBITO DE APLICACIÓN

Esta máquina está destinada para uso comercial. Está diseñada para el uso en interiores y no está destinada para ningún otro uso. Use solo los accesorios recomendados.

DATOS DE IDENTIFICACIÓN DE LA MÁQUINA

El número de serie y el modelo de la máquina aparecen marcados en la etiqueta de serie.

Esta información es útil. Utilice la siguiente tabla para anotar los datos de identificación de la máquina a la hora de comprar piezas de repuesto para la máquina.

MODELO DE LA MÁQUINA.....

NÚMERO DE SERIE DE LA MÁQUINA

TRANSPORTE Y DESEMBALAJE

Revise atentamente la caja de envío para detectar signos de daños. Informe al transportista de cualquier daño en la caja inmediatamente.

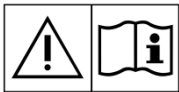
Revise el contenido de la caja para asegurarse de que está completa. Póngase en contacto con su distribuidor si falta algo.

Contenido:

- Quitador de manchas
- Mangueras de aspiración y solución detergente
- Herramienta de mano

SEGURIDAD

Los siguientes símbolos indican situaciones potencialmente peligrosas. Siempre lea atentamente esta información y tome todas las precauciones necesarias para salvaguardar a las personas y las propiedades.

SÍMBOLOS VISIBLES EN LA MÁQUINA

¡ADVERTENCIA!

Lea detenidamente todas las instrucciones antes de realizar cualquier operación en la máquina.



¡ADVERTENCIA!

No lave la máquina con chorros directos o agua a presión.

SÍMBOLOS QUE APARECEN EN EL MANUAL DE INSTRUCCIONES DE USO

¡PELIGRO!

Indica una situación peligrosa con riesgo de muerte para el operador.



¡ADVERTENCIA!

Indica un riesgo potencial de lesiones a las personas.



¡ATENCIÓN!

Indica una advertencia o una nota relacionada con funciones importantes o útiles.

Preste atención a los párrafos marcados con este símbolo.



NOTA

Indica una observación relacionada con funciones importantes o útiles.



CONSULTA

Indica la necesidad de consultar el manual de instrucciones de uso antes de realizar cualquier procedimiento.

INSTRUCCIONES GENERALES DE SEGURIDAD

General – Esta máquina quitamanchas de alfombras debe conectarse a tierra mientras se usa para proteger al operador de las descargas eléctricas. La máquina está provista de un enchufe de conexión a tierra de tres contactos para que se ajuste al receptáculo adecuado de conexión a tierra. El conductor verde (o verde y amarillo) del cable es para la conexión a tierra. Nunca conecte este cable a otro que no sea el pasador de puesta a tierra del enchufe de conexión.

Esta máquina debe usarse en un circuito nominal de 220-240 voltios y tiene un enchufe de puesta a tierra que se asemeja al enchufe ilustrado en la figura siguiente. Asegúrese de que la máquina está conectada a una toma de corriente con la misma configuración que el enchufe. No se deben utilizar adaptadores con esta máquina.

Advertencias y precauciones específicas para informar acerca de los posibles daños a las personas y a la máquina se muestran a continuación.

**¡PELIGRO!**

- Esta máquina debe ser operada por personal capacitado y autorizado de acuerdo con las instrucciones del manual.
- Antes de realizar cualquier procedimiento de limpieza, mantenimiento, reparación o sustitución, lea las instrucciones con cuidado y asegúrese de apagar la máquina.
- No utilice la máquina cerca de polvos, líquidos o vapores tóxicos, peligrosos, inflamables y/o explosivos. Esta máquina no es adecuada para la recogida de polvos peligrosos.
- Quítese las joyas cuando trabaje cerca de los componentes eléctricos.
- No trabajar bajo la máquina levantada si ésta no está fijada con los soportes de seguridad adecuados.

**¡ADVERTENCIA!**

- Esta máquina es para USO COMERCIAL, por ejemplo en hoteles, colegios, hospitales, fábricas, tiendas y oficinas y negocios de alquiler.
- Las máquinas desatendidas deberán estar protegidas ante cualquier movimiento involuntario.
- Para evitar usos no autorizados de la máquina, la fuente de energía debe apagarse o bloquearse.
- Inspeccione cuidadosamente la máquina antes de cada uso. Asegúrese de que todos los componentes se encuentran montados seguramente antes de su uso. Los componentes sueltos podrían producir daños a las personas y a las propiedades.
- Nunca mueva la máquina tirando del cable. No pase el cable a través de puertas cerradas, ni lo enrolle alrededor de bordes o esquinas afiladas. No conduzca la máquina sobre el cable. Mantenga el cable lejos de superficies calientes.
- Para reducir el riesgo de incendio, descargas eléctricas o lesiones, asegúrese de que la máquina está apagada antes de salir.
- Utilice o guarde la máquina en interiores en condiciones secas, no está permitido usarla al aire libre.
- La temperatura tanto de almacenamiento como de funcionamiento de la máquina debe ser entre 0 °C y +40 °C, la humedad del aire debe oscilar entre 30% y 95%.
- No utilice la máquina en pendientes con un grado de inclinación superior al que se define en la especificación.
- Durante el uso y manipulación de detergentes de limpieza de suelos, siga las instrucciones en las etiquetas del detergente y use guantes y protecciones adecuadas.
- Cuando la máquina no funciona correctamente, asegúrese de que esto no sea causado por falta de mantenimiento. Si es necesario, solicite la asistencia del personal autorizado o se un Centro de asistencia autorizado.

- Tomar todas las precauciones necesarias para que el pelo, las joyas y las ropas no sean capturados por las partes móviles de la máquina.
- No usar la máquina en ambientes demasiado polvorientos.
- No lave la máquina con chorros directos o presurizados de agua, o con sustancias corrosivas.
- No chocar contra estanterías o andamios de los que puedan caer objetos.
- No poner recipientes de líquidos sobre la máquina, usar el portabebidas.
- En caso de incendio, use un extintor de polvo seco. No utilice extintores líquidos.
- No retire ni modifique las pegatinas de la máquina.
- Tener cuidado durante el traslado de la máquina en condiciones de temperatura muy baja. El agua en el depósito de recuperación o en los tubos podría congelarse y dañar la máquina.
- Si deben sustituirse piezas, solicite piezas de repuesto ORIGINALES a un Concesionario y/o Revendedor autorizado.
- Lleve la máquina al Centro de asistencia si no funciona como de costumbre o está dañada.
- Para garantizar el funcionamiento correcto y seguro de la máquina, el mantenimiento programado que se muestra en el capítulo correspondiente de este manual, debe realizarlo el personal autorizado o los distribuidores o revendedores autorizados.
- Esta máquina es una herramienta de limpieza y no ha sido diseñada para ningún otro fin.
- Las aperturas deben mantenerse libre de polvo, hilacha, pelos y cualquier otro cuerpo extraño que pueda reducir el flujo de aire. No utilice la máquina si los orificios están obstruidos.
- Usar la máquina sólo en áreas con suficiente iluminación.
- Esta máquina no debe ser utilizada por personas (incluidos niños) con capacidades físicas, sensoriales o mentales reducidas, o con falta de experiencia y conocimientos.
- Tener mucho cuidado cuando se utiliza cerca de niños.
- Los niños deben ser supervisados para asegurarse de que no jueguen con el aparato.
- Cuando se usa esta máquina, tener cuidado de salvaguardar la incolumidad de personas y cosas.
- Los niños no pueden efectuar limpieza y mantenimiento de la máquina sin supervisión adecuada.
- Los operadores deberán haber recibido la capacitación adecuada para usar este tipo de máquinas.
- Este aparato incorpora una conexión a tierra solo para fines funcionales
- Si el cable de alimentación está dañado, deben sustituirlo el fabricante, el agente de servicio u otras personas calificadas para evitar peligros.
- Retire el enchufe de la toma de corriente durante la limpieza o el mantenimiento y al reemplazar piezas o al convertir la máquina para otra función

DESCRIPCIÓN DE LA MÁQUINA
ESTRUCTURA DE LA MÁQUINA

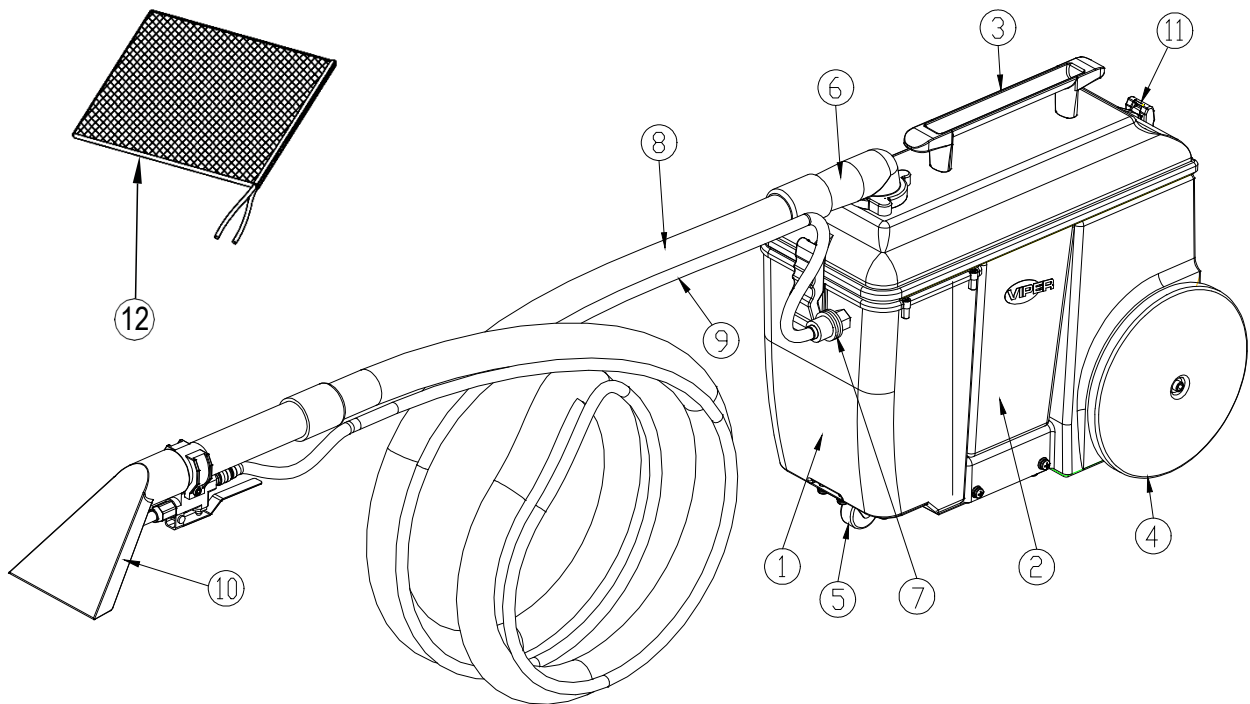
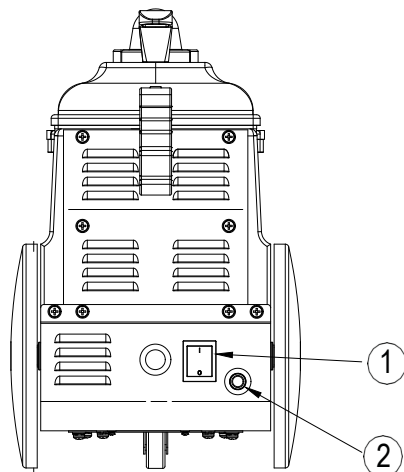


Figura 1

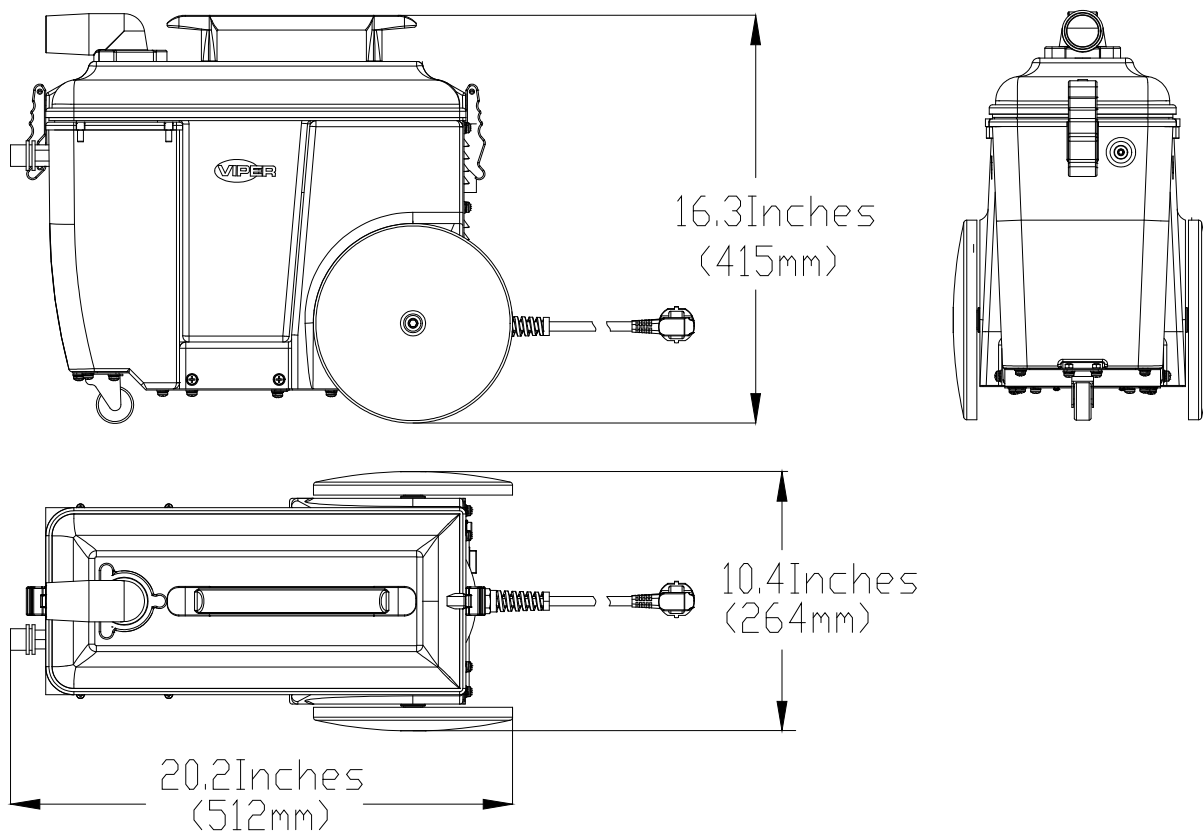
- | | |
|--|--|
| 1. Depósito de la solución detergente | 7. Conexión de la manguera de la solución detergente |
| 2. Depósito de recuperación | 8. Manguera de aspiración |
| 3. Asa | 9. Manguera de solución detergente |
| 4. Ruedas de transporte | 10. Herramienta de mano |
| 5. Rueda pivotante delantera | 11. Abrazadera |
| 6. Conexión de la manguera de aspiración | 12. Bolsa azul de accesorios |

Panel de mando

1. Interruptor de alimentación
2. Protector de sobrecarga



DIMENSIONES DE LA MÁQUINA

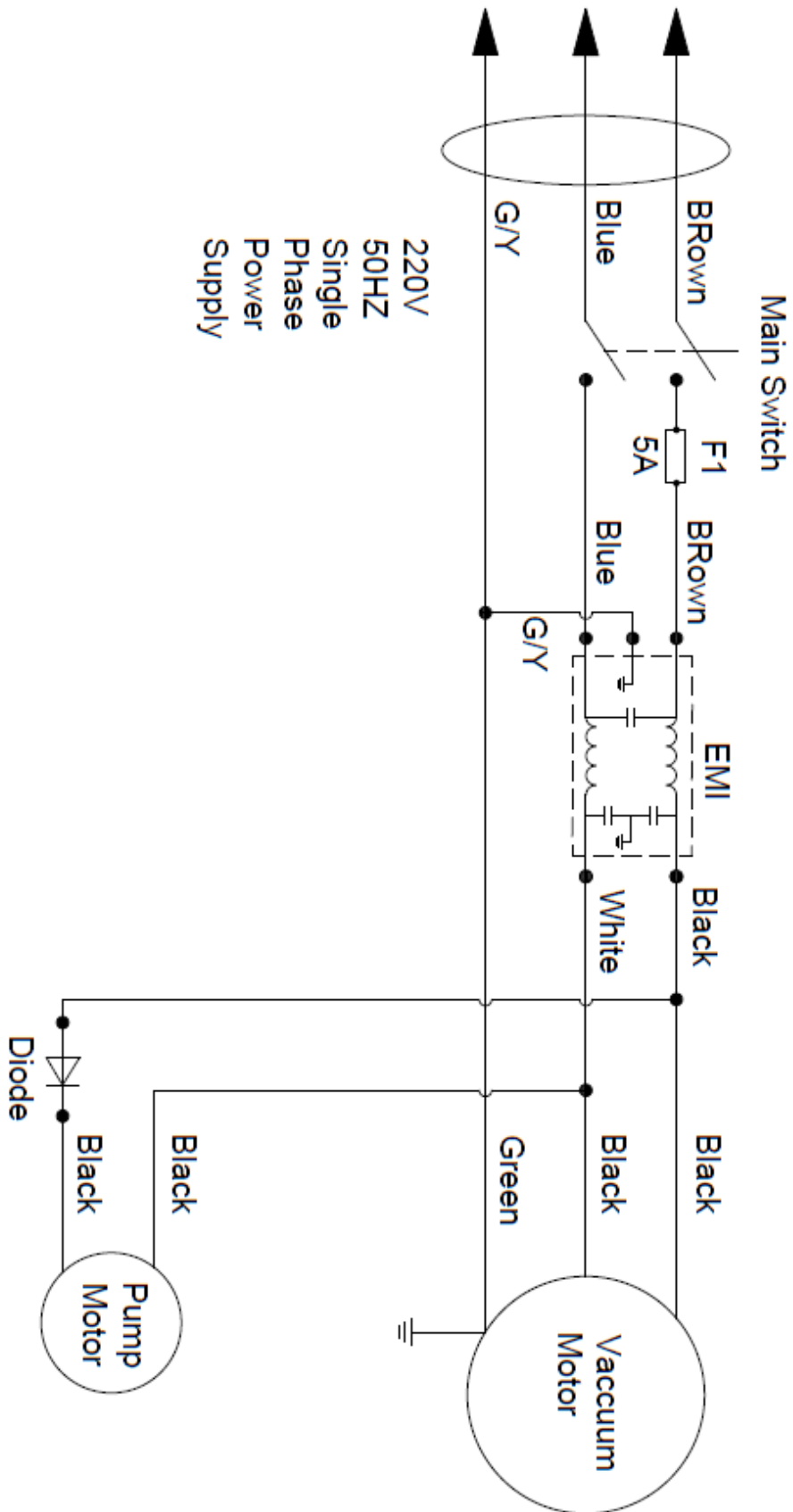


PARÁMETROS TÉCNICOS

Modelos	EU	UK	TURKEY
Descripción principal	WOLF130		
N.º de ref. Código de inventario	50000589	50000604	50000603
Voltaje	220-240V		
Motor de aspiración	1000W		
Consumo de amperaje	4.7 amperios		
Peso	9.85kg		
Peso de transporte	29.8 lbs. (13.5kg)		
Nivel de potencia acústica	80 dB		
Nivel de potencia acústica	67 dB A		
Presión de la bomba de solución detergente	30PSI (2bar)		
Elevador de agua (aspiración máxima)	85 pulgadas H ₂ O (22 KPa)		
Cable de alimentación en pies	10 m, naranja de seguridad		
Limpieza de la trayectoria en pulgadas	4 "(10.2 cm)		
Depósito de solución detergente y recuperación en galones	3.8L		
Mangueras de solución detergente y aspiración en pies	3m		
Dimensiones L x W x H	23.3 x 15.4 x 19.3 in (59 x 39 x 49 cm)		

(*): Opcional

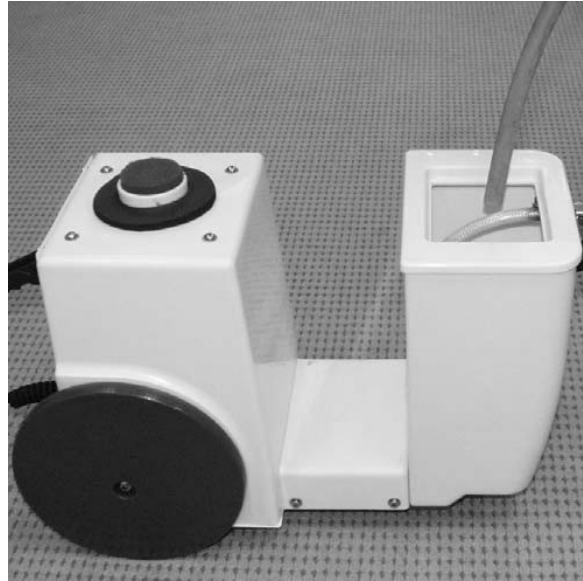
ESQUEMA ELÉCTRICO



GUÍA DE FUNCIONAMIENTO

Lea detenidamente el manual del operador antes de operar o reparar esta máquina

- 1) Con una manguera o cubo, llene el depósito con un máximo de 1 galón de agua (la temperatura del agua es inferior a 50°C).



No use líquidos inflamables ni opere la máquina dentro o cerca de líquidos o vapores inflamables

- 2) Conecte la manguera de solución y la manguera de vacío a la máquina.
- 3) Conecte el cable de alimentación a una toma de corriente de pared conectada a tierra. (vea las instrucciones de puesta a tierra)

FUNCIONAMIENTO DE LA MÁQUINA

ANTES DE QUITAR LAS MANCHAS

- 1) Inspeccione el cable de alimentación para detectar daños. Sustituya el cable si se encuentran daños.
- 2) Aspire la alfombra para eliminar los desechos antes de trabajar en la mancha.

ELIMINACIÓN DE MANCHAS

- 1) Ponga el interruptor de alimentación en la posición «I».

NOTA: La solución solo se pulverizará cuando se tire del mango de pulverización (en la herramienta manual).
- 2) Para comenzar la limpieza, tire del mango de pulverización (herramienta de mano) y comience a tirar de la herramienta hacia atrás sobre la mancha.
- 3) Suelte el mango de pulverización cuando haya llegado al final de la mancha. Continúe tirando de la herramienta de mano hacia atrás durante otras 4 pulgadas para recoger el exceso de solución.



- 4) Continúe hasta que se haya eliminado la mancha.

CONSEJOS DE FUNCIONAMIENTO

- 1) Utilice solo agua fría. El agua caliente puede manchar.
- 2) Compruebe continuamente si hay acumulación de espuma en el depósito de recuperación. Utilice una solución de control de espuma aconsejada por el distribuidor.
NOTA: La acumulación excesiva de espuma causará daños al motor de aspiración.
- 3) Repita la trayectoria de extracción en zonas muy sucias.
- 4) Cuando termina la recuperación de la solución sucia, o el depósito de solución detergente está vacío, debe drenar el depósito de recuperación. (véase DRENAJE DEL DEPÓSITO)

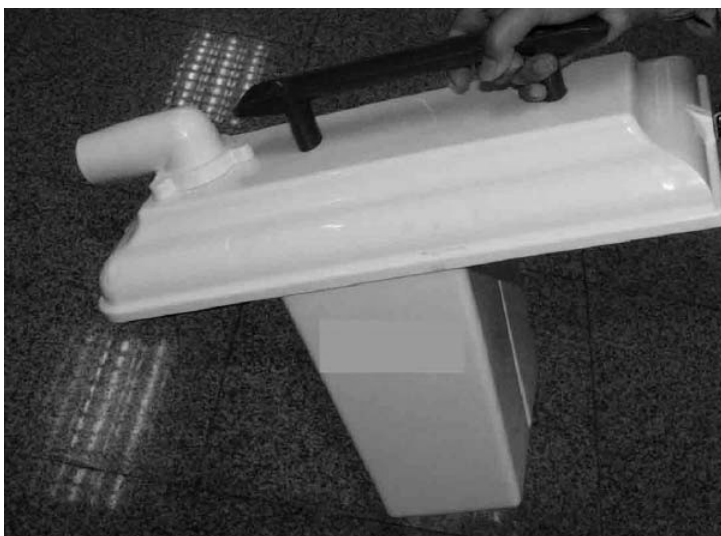
DRENAJE DE LOS DEPÓSITOS

DRENAJE DEL DEPÓSITO DE SOLUCIÓN DETERGENTE

- 1) Apague la máquina y desenchúfela de la fuente de alimentación.
- 2) Desconecte las mangueras de solución y de aspiración de la parte delantera de la máquina.
- 3) Desenganche las abrazaderas del depósito de recuperación y retírelo de la máquina.
- 4) Lleve el depósito de solución a un drenaje aprobado y deseche el contenido.

DRENAJE DEL DEPÓSITO DE RECUPERACIÓN

- 1) Apague la máquina y desenchúfela de la fuente de alimentación.
- 2) Desenganche las abrazaderas del depósito de recuperación y retírelo de la máquina.
- 3) Lleve el depósito de recuperación a un drenaje aprobado y deseche el contenido.



- 4) Enjuague el depósito de recuperación con agua limpia.
- 5) Vuelva a montar la máquina.

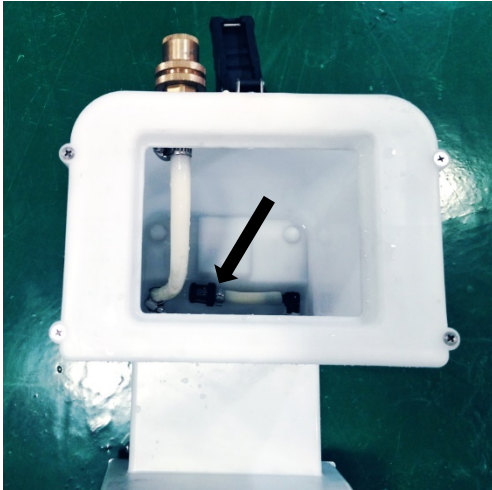
MANTENIMIENTO

Para mantener la máquina funcionando bien durante muchos años, observe los siguientes procedimientos de mantenimiento.

!!! Compruebe que la máquina está desenchufada antes de realizar cualquier operación de mantenimiento o reparación.

MANTENIMIENTO DIARIO

- 1) Cuando finalice las operaciones de limpieza del día, drene y enjuague bien el depósito de recuperación con agua limpia.
- 2) Retire la solución restante del depósito de solución.
- 3) Retire el filtro de aspiración y enjuague con agua limpia.
- 4) Sustituya el filtro cuando esté seco.



- 5) Retire e inspeccione la tobera de pulverización. Si es necesario, limpie la tobera.

NOTA: No limpie la tobera con un objeto puntiagudo, ya que dañará las toberas.

- 6) Compruebe la banda del cepillo y retire cualquier residuo o fibra de alfombra.
- 7) Revise la herramienta de mano de recogida frontal y retire cualquier residuo o fibra de alfombra.
- 8) Limpie la máquina con un limpiador no abrasivo.
- 9) Inspeccione el cable de alimentación para detectar daños. Sustitúyalo si es necesario.

MANTENIMIENTO MENSUAL

- 1) Enjuague la bomba y los tubos con una solución de ácido acético para disolver cualquier acumulación química.

Instrucciones de mezcla:

- a. Haga una premezcla de 8 onzas de una solución de ácido acético con 1 galón de agua y vierta en el depósito de solución.

Encienda el interruptor de aspiración / bomba.

- b. Coloque el cabezal de la herramienta de piso sobre el drenaje del piso y tire del gatillo de la solución durante un (1) minuto.
 - c. Apague la máquina y deje que la solución restante repose en la máquina durante la noche.
 - d. Al día siguiente, rocíe la solución restante y enjuague el sistema de nuevo con 1 galón de agua limpia.
- 2) Inspeccione la máquina en busca de fugas de agua.
 - 3) Revise la máquina en busca de tuercas, tornillos y pernos sueltos o que faltan y sustitúyalos según sea necesario.

ALMACENAMIENTO DE LA MÁQUINA

- 1) Antes de almacenar la máquina, asegúrese de que los depósitos de solución y recuperación estén limpios y sin solución.
- 2) Almacene la máquina en posición vertical en un área seca, sin la manguera de aspiración para que circule el aire.

NOTA: Si guarda la máquina en un área que puede congelarse, asegúrese de que tanto los depósitos como los tubos estén sin agua y secos.

LOCALIZACIÓN BÁSICA DE AVERÍAS

PROBLEMA	Causa probable	Remedio
La máquina no funciona	No está enchufada a la fuente de alimentación	Enchúfela a una toma de tierra
	Cable de alimentación defectuoso	Contacte con el distribuidor.
	Cable de alimentación de extensión defectuoso	Reemplace con un nuevo cable de alimentación de extensión
	Disyuntor del edificio disparado	Restablezca el disyuntor
La bomba de solución no funciona	El interruptor o la bomba de aspiración no está encendida	Conecte el interruptor
	Interruptor de aspiración / bomba defectuoso	Contacte con el distribuidor.
	Solenoides defectuosos	Contacte con el distribuidor.
	Bomba de solución defectuosa	Contacte con el distribuidor.
	Bomba sobrecalentada	Determine la causa y espere 30 minutos para que la bomba se enfríe
Cableado suelto o roto	Contacte con el distribuidor.	
El motor de aspiración no funciona	El interruptor o la bomba de aspiración no está encendida	Conecte el interruptor
	Interruptor de aspiración / bomba defectuoso	Contacte con el distribuidor.
	La sobrecarga térmica del motor de aspiración se ha disparado	Compruebe si hay obstrucción y espere 30 minutos para que se enfríe
	Motor de aspiración defectuoso	Contacte con el distribuidor.
	Cepillos de carbono desgastados	Contacte con el distribuidor.
	Cableado suelto o roto	Contacte con el distribuidor.
Recogida insuficiente	Fuga de aire alrededor de la junta de recuperación	Asegúrese de que la tapa de recuperación esté firmemente apretada
	Junta de aspiración dañada o desgastada	Sustituya la junta
	Conexiones de la manguera de aspiración flojas	Asegúrese de que las conexiones de la manguera de aspiración estén apretadas
	Manguera de aspiración defectuosa	Sustituya la manguera de aspiración
	Manguitos de la manguera de aspiración flojos	Asegúrese de que los manguitos estén fijados en la carcasa
	Manguera de aspiración atascada	Retire la obstrucción de la manguera de aspiración
Pulverización de la solución desigual o inexistente	El depósito de la solución está vacío o no hay poca solución detergente	Llene el depósito de la solución
	El interruptor o la bomba de aspiración no está encendida	Conecte el interruptor
	Puntas de pulverización sucias o atascadas	Limpie o reemplace las puntas de pulverización
	Tamaño incorrecto de la punta de pulverización o ángulo de pulverización	Contacte con el distribuidor.
	Puntas de pulverización desgastadas	Contacte con el distribuidor.
	Bomba de solución defectuosa	Contacte con el distribuidor.
	Filtro del depósito de la solución atascado	Limpie o sustituya el filtro
	Manguera de solución comprimida o torcida	Compruebe si hay atascamientos y torceduras y arréglelas si es necesario

RESOLUCIÓN DE PROBLEMAS**DESGUACE**

Deseche la máquina mediante una institución de tratamiento de residuos calificada.

Antes de desechar máquina, por favor lleve y separe el subconjunto a continuación que debe eliminarse en forma adecuada según las leyes y reglamentos pertinentes.

- Cepillo/porta-pad
- Tubo de plástico y piezas de plástico
- Componentes eléctricos y electrónicos (*)

(*) Por favor contacte con el Centro de asistencias de nuestra Empresa para desechar cualquier componente electrónico y eléctrico.

Composición de material de la máquina y reciclabilidad

Tipo	% reciclable	WOLF130 % de peso
Motores eléctricos - misc.	20%	22%
Materiales ferrosos	80%	20%
Cableado	80%	1%
Líquidos	100%	0%
Plástico - no reciclable	0%	1%
Plástico - reciclable	100%	45%
Caucho	20%	1%

SISSEJUHATUS**MÄRKUS**

Sulgudes toodud arvud viitavad masina kirjelduse peatükis loetletud komponentidele.

JUHENDI EESMÄRK JA SISU

Selle kasutusjuhendi eesmärk on pakkuda kasutajale kogu põhiteavet tehniliste omaduste, kasutamise, masina hoiustamise, varuosade ja ohutustingimuste jne kohta.

Sõltumata operaatoritest ja kvalifitseerunud tehnikutest lugege kasutusjuhendit enne mistahes protseduuride toetamist hoolikalt. Kui teil on kahtlusi kasutusjuhendi või mistahes muu teabe tõlgendamise kohta, võtke ühendust meie ettevõttega.

KUIDAS KÄESOLEVAID KASUTUSJUHISEID SÄILITADA

Kasutusjuhiseid tuleb hoida masina läheduses, sobilikus kestas, eemal mistahes vedelikest ja muudest kahjulikest ainetest.

VASTAVUSAVALDUS

Masina on kaasas vastavusavaldus, mis kinnitab selle vastavust kehtivatele seadustele.

**MÄRKUS**

Masina dokumentatsiooniga on kaasas vastavusavalduse originaali koopiad.

LISASEADMED JA HOOLDAMINE

Masina mistahes kasutamine, hooldus ja remont on lubatud üksnes kvalifitseerunud personali poolt või meie ettevõtte poolt määratud teeninduskeskuses. Kasutada on lubatud ÜKSNES autoriseeritud varuosi ja lisaseadmeid.

Lisaseadmete või varuosade vajadusel võtke ühendust meie ettevõtte teeninduskeskusega.

VAHETAMINE JA PARENDUSED

Oleme pühendunud oma toodete pidevale parendamisele ja jätame õiguse teha masina muudatusi ja parendusi ilma täiendava eelneva teavitamiseta.

KOHALDAMISALA

See masin on mõeldud äriliseks kasutamiseks. Masinat tohib kasutada vaid siseruumides ja see ei sobi kasutamiseks muus keskkonnas. Kasutage ainult soovitatud tarvikuid.

MASINA IDENTIFITSEERIMISANDMED

Masina seerianumber ja mudeli nimetus on markeeritud andmesildil.

Tegemist on kasuliku teabega. Kasutage masina andmete üles märkimiseks allpool asuvat tabelit. See on abiks masina varuosade tellimisel.

MASINA MUDEL.....

MASINA SEERIANUMBER.....

TRANSPORT JA LAHTIPAKKIMINE

Kontrollige hoolikalt, et saatekarbis poleks kahjustusi. Teavitage tarnefirmat karbi kahjustustest viivitamatult.

Kontrollige karbi sisu veendumaks, et karp on komplektne. Kui mõni komponent on puudu, pöörduge oma edasimüüja poole.

Sisu:

- Vaibapuhastaja
- Vaakum- ja pesuvahendivoolikud
- Käsitööriist

OHUTUS

Järgnevaid sümboloid on käsiraamatus kasutatud, et viidata võimalikele ohtudele. Lugege seda teavet hoolikalt ja astuge vajalikke samme isikute ja vara ohutuse tagamiseks.

MASINAL NÄHTAVAD SÜMBOLID

HOIATUS!

Lugege kõiki juhiseid enne mistahes protseduuride toetamist hoolikalt.



HOIATUS!

Ärge peske masinat otsese veejoa või survega veeaga.

KASUTUSJUHENDIS KASUTATUD SÜMBOLID

OHT!

Viitab operaatorit surmavalt ohustavale olukorrale.



HOIATUS!

Viitab võimalikele isikuvigastustele.



ETTEVAATUST!

Viitab tähelepanu vajavale kohale või oluliste või kasulike funktsioonidega seotud märkusele. Pöörake selle sümboliga tähistatud löikudele erilist tähelepanu.



MÄRKUS

Viitab tähelepanu vajavale kohale või kasulikele juhenditele lisatud märkusele.



KONSULTEERIGE

Viitab vajadusele enne protseduuri kasutusjuhendiga konsulteerimiseks.

ÜLDISED OHUTUSJUHISED

Üldteave – kasutaja elektrilöögi eest kaitsmiseks peab see vaibapuhastusseade maandatud olema. Masinal on kolmekontaktiline maandustüüpi kinnituskork, sobiva, maandustüüpi pistikupesa paigaldamiseks. Roheline (või roheline ja kollane) juhtmes olev traat on maandustraad. Seda traati tohib ühendada vaid kinnituspistiku maandustihvtiga.

See masin on mõeldud kasutamiseks nominaalses 220–240-voldises vooluringis ja sellel on maanduspistik, mis sarnaneb joonisel kujutatud pistikuga. Veenduge, et seade oleks ühendatud pistikupessa, mille konfiguratsioon on identne pistiku konfiguratsiooniga. Selle masinaga ei tohi ühtegi adapterit kasutada.

Spetsiifilised hoiatused ja tähelepanekud võimalike ohtude ja kahjude kohta isikutele ja masinale on toodud allpool.

**OHT!**

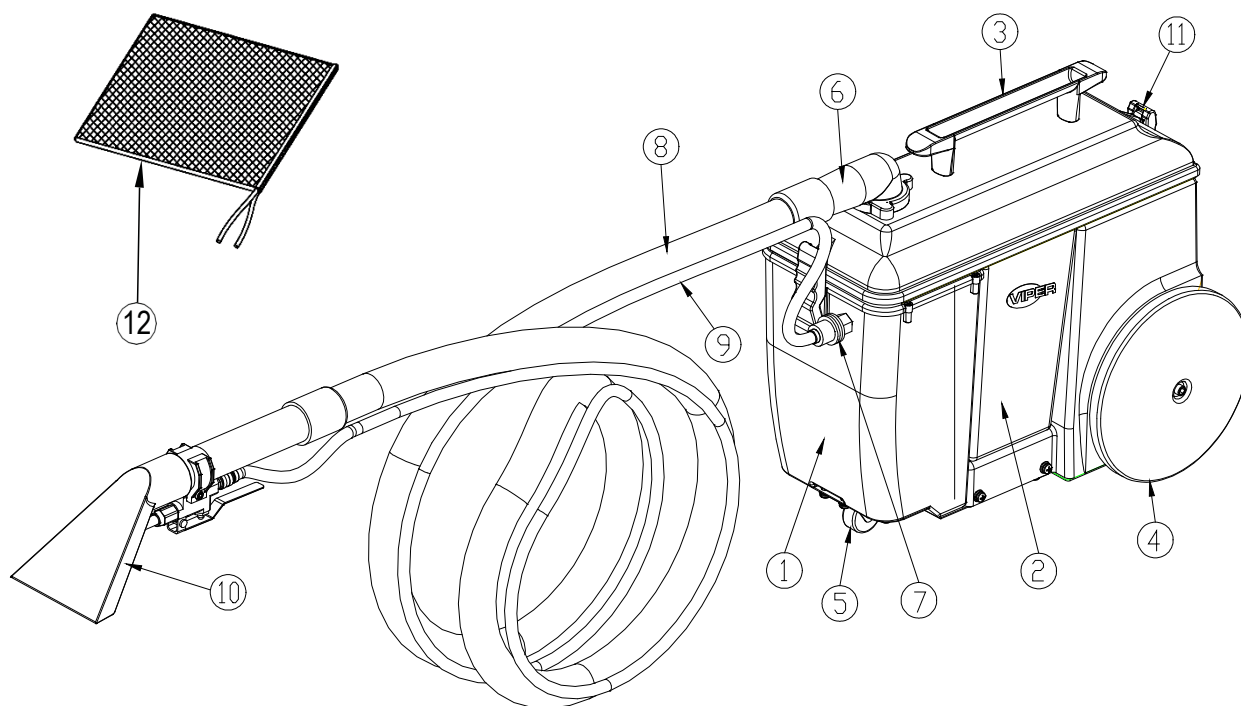
- Mainat võib kasutada vastava väljaõppe ja volitusega personal selle juhendi suuniseid järgides.
- Enne puhastamist, hooldust, remonti või asendamist lugege hoolikalt läbi kõik juhised ja lülitage masin kindlasti välja.
- Ärge kasutage masinat mürgiste, ohtlike, tuleohtlike ja/või plahvatusohtlike pulbrite, vedelike või aurude läheduses. Masin ei ole sobilik ohtlike puudrite kogumiseks.
- Ärge kandke elektriosade lähedal töötades ehteid.
- Ärge töötage ülestõstetud masina all, kui see pole ohutustagedega toetatud.

**HOIATUS!**

- See masin on ette nähtud kaubanduslikuks kasutuseks näiteks hotellides, koolides, haiglates, tehastes, kauplustes, kontorites ja rendiettevõtetes.
- Järelevalveta jäetud masinad tuleb fikseerida, et vältida nende juhuslikku liikumist.
- Masina loata kasutamise vältimiseks tuleb toiteallikas välja lülitada või lukustada.
- Kontrollige masinat enne iga kasutuskorda hoolikalt. Veenduge, et kõik komponendid on enne kasutamist omal kohal. Lahtised komponendid võivad põhjustada varakahju ja tekitada kehavigastusi.
- Ärge kunagi liigutage masinat kaablist tõmmates. Vältige kaabli sattumist suletud ukse alla või teravatele servadele või nurkadele. Ärge juhtige masinat kaabli kaudu. Hoidke kaabel eemal soojusallikatest.
- Tule-, elektrilöögi- või vigastusohu vähendamiseks veenduge enne masina juurest lahkumist, et see oleks välja lülitatud.
- Kasutage või hoiustage masinat üksnes kuivades sisetingimustes. Masinat ei tohi kasutada välitingimustes.
- Masina töö- ja hoiustamistemperatuur peab jääma vahemikku 0 °C kuni +40 °C, õhuniiskus vahemikku 30–95%.
- Ärge kasutage masinat kallakul, mille kalle ületab tehnilistes andmetes toodud piirväärtust.
- Põranda puhastusainete kasutamisel järgige alati puhastusainete pudelile märgitud suuniseid ning kasutage sobivaid kindaid ja kaitsevarustust.
- Masina rikete korral veenduge, et need ei oleks põhjustatud puudulikust hooldusest. Vajadusel paluge abi meie poolt autoriseeritud teeninduskeskuse volitatud personalilt.

- Rakendage kõik vajalikud ettevaatusabinõud, et vältida juuste, ehete ja lahtiste riiete sattumist masina liikuvate osade vahele.
- Ärge kasutage masinat äärmiselt tolmustes keskkondades.
- Ärge peske masinat otsese veejoa või survega vee ja söövitavate ainetega.
- Ärge sõitke masinaga vastu riieid või tellinguid, eelkõige juhul, kui esineb kukkuvate esemete oht.
- Ärge toetage masinale vedelike mahuteid, kasutage selleks ettenähtud pudelihoidjat.
- Tulekahju korral kasutage kustutamiseks pulberkustutit. Ärge kasutage vedelikke sisaldavaid tulekustuteid.
- Ärge eemaldage masinalt kleebiseid ega tehke neile muudatusi.
- Olge masina transportimisel tähelepanelik, kui temperatuur on alla nulli. Tagasivoolupaagis ja voolikutes olev vesi võib külmuda ning põhjustada masinale tõsiseid kahjustusi.
- Kui mõni osa vajab vahetamist, tellige originaalvaruosad volitatud edasimüüjatelt või jaemüüjatelt.
- Kui masin ei tööta ettenähtud viisil või se on kahjustatud, siis viige masin hoolduskeskusse.
- Masina õige ja ohutu töö tagamiseks tuleb lasta seda volitatud personalil või volitatud edasimüüja poolt selle juhendi vastavas jaotises toodud hooldusgraafiku alusel hooldada.
- See masin on ainult puhastustööriist ning see ei ole mõeldud kasutamiseks ühelgi muul otstarbel.
- Hoidke masina avad alati tolmust, juustest ja muudest õhuvoolu takistavatest võõrmaterjalidest puhtana. Ärge kasutage masinat, kui avad on ummistunud.
- Kasutage masinat ainult hästi valgustatud kohas.
- See masin ei ole mõeldud kasutamiseks piiratud füüsiliste, sensoorsete või vaimsete võimete või kogemusteta ja teadmisteta isikutele.
- Olge laste lähedal masinat kasutades eriti tähelepanelik.
- Valvake lapsi ja hoolitsege selle eest, et nad masinaga ei mängiks.
- Vältige masina kasutamise ajal inimeste vigastamist või vara kahjustamist.
- Lapsed ei tohi masinat puhastada ja hooldada ilma järelevalveta.
- Kasutajad peavad olema saanud nende masinate kasutamise kohta piisava väljaõppe.
- See seade sisaldab ainult funktsionaalsetel eesmärkidel loodud maandusühendust
- Kui toitejuhe on kahjustatud, peab tootja, tema teenindusagent või samalaadse kvalifikatsiooniga isik selle ohu vältimiseks asendama.
- Pistiku eemaldamine pistikupesast puhastamise või hoolduse ajaks, komponentide vahetamiseks või masina funktsiooni muutmiseks

MASINA KIRJELDUS
MASINA EHITUS

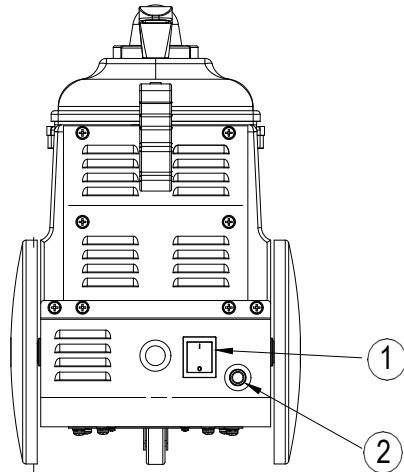


Joonis 1

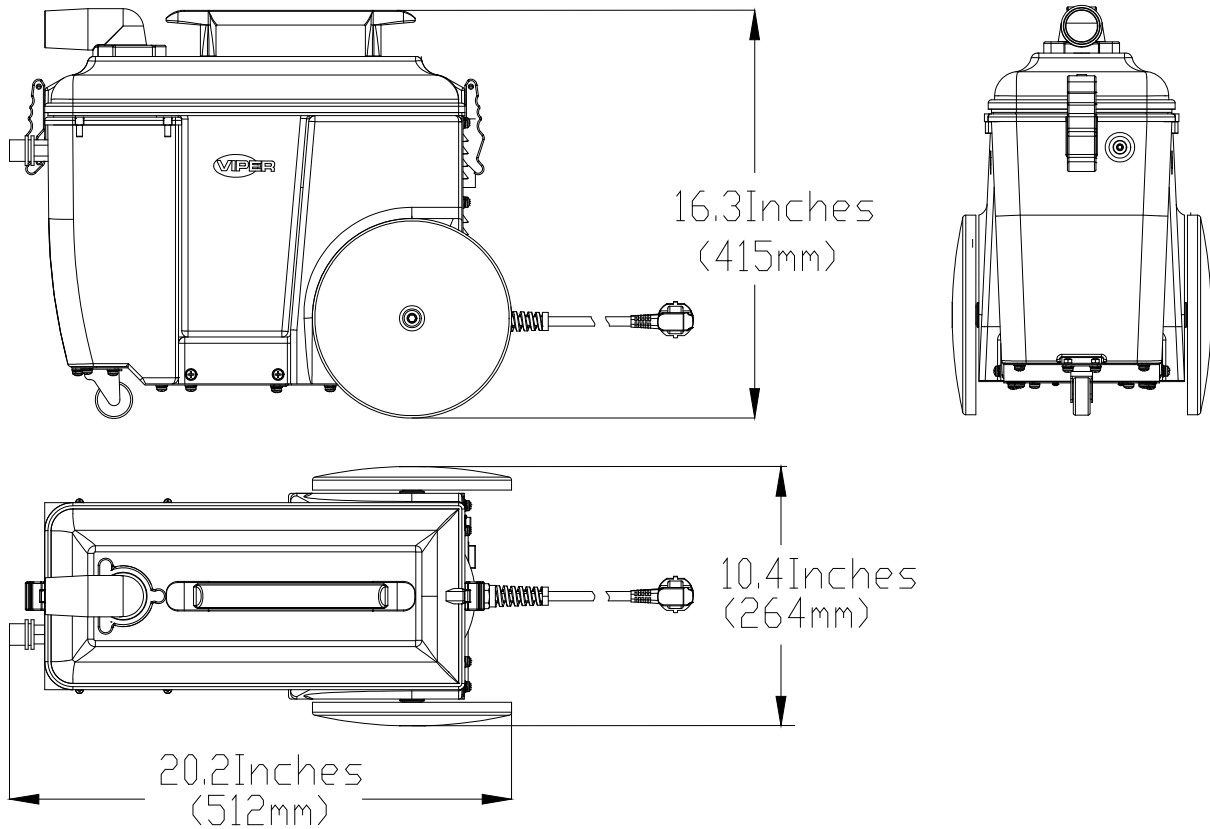
- | | |
|--------------------------|-------------------------------|
| 1. Pesuvahendipaak | 7. Pesuvahendivooliku ühendus |
| 2. Taastepaak | 8. Vaakumvoolik |
| 3. Käepide | 9. Pesuvahendivoolik |
| 4. Transpordirattad | 10. Käsitööriist |
| 5. Esiratas | 11. Klamber |
| 6. Vaakumvooliku ühendus | 12. Sinine tarvikukott |

JUHTPANEEL

1. Toitelüliti
2. Ülekoormuskaitse



MASINA MÕÖTMED

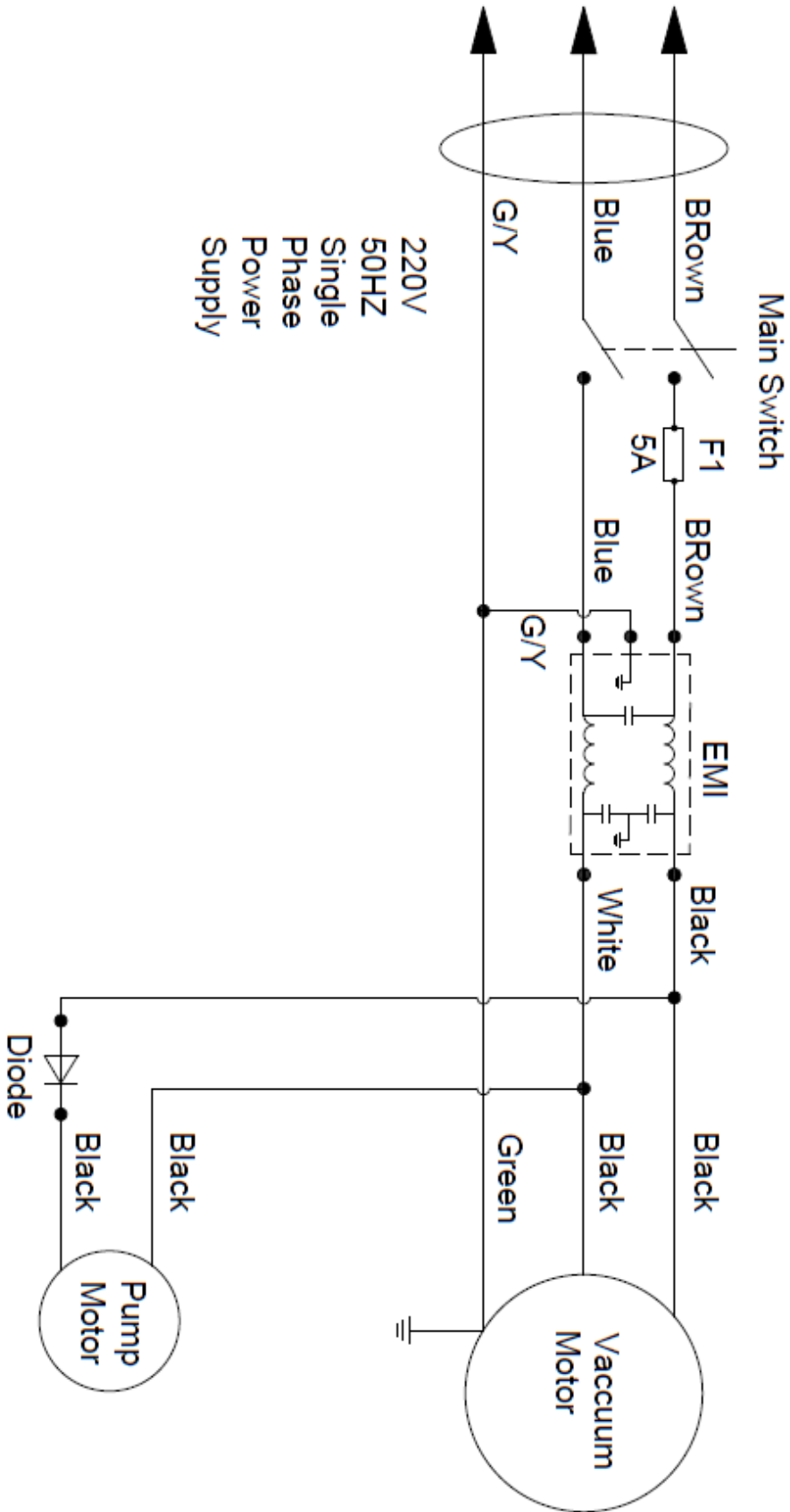


TEHNILISED PARAMEETRID

Mudelid	EU	UK	TURKEY
Põhikirjeldus	WOLF130		
Viitenr Laokood	50000589	50000604	50000603
Pinge	220-240V		
Vaakummootor	1000W		
Voolutarve	4.7amprit		
Mass	9.85kg		
Tarnemass	29.8 naela. (13.5kg)		
Helivõimsuse tase	80 dB		
Helirõhutase	67 dB A		
Pesuvahendipumba rõhk	30 PSI (2 baari)		
Vesitõstuk (maksimaalne vaakum)	85tolli H2O (21.8kpa)		
Toitekaabel (pikkus jalgades)	10 m, turvaoranž		
Puhastustee, tollides	4 "(10.2 cm)		
Pesuvahendi- ja taastepaagi maht gallonites	3.8L		
Pesuvahendi- ja vaakumvoolikute pikkus jalgades	3m		
Mõõtmed P x L x K	23.3 x 15.4 x 19.3tolli (59 x 39 x 49 cm)		

(*): valikuline

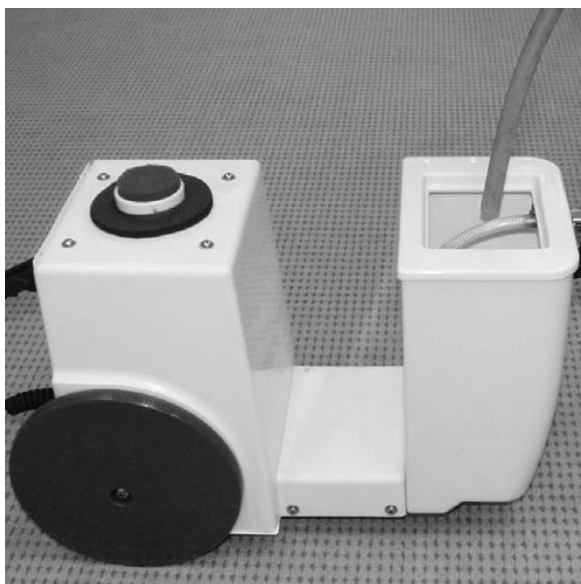
ELEKTRISKEEM



TÖÖJUHEND

Enne masina kasutamist või hooldamist lugege hoolikalt kasutusjuhendit

- 1) Täitke paak vooliku või ämbri abil kuni 1 galloni (alla 50-kraadise veega) veega.



Ärge kasutage tuleohtlikke vedelikke ega töötage masinaga tuleohtlike vedelike ega aurude läheduses

- 2) Ühendage masinaga pesuvahendivoolik ja vaakumvoolik.
- 3) Ühendage toitekaabel maandatud seinakontakti. (vt maandamisjuhiseid)

MASINA KASUTAMINE

ENNE PLEKKIDE EEMALDAMIST

- 1) Kontrollige, et toitekaablil kahjustusi poleks. Kui tuvastate kahjustusi, vahetage kaabel välja.
- 2) Enne plekieemaldust, puhastage vaip tolmuimeja abil tolmust.

PLEKIEEMALDUS

- 1) Asetage toitelüliti asendisse "I".
MÄRKUS: Pesuvahendit pihustatakse ainult siis, kui pihustuskäepidet (käsitööriista) tõmmatakse.
- 2) Puhastamise alustamiseks tõmmake (käsitööriista) pihustuskäepidemest ja liigutage tööriista taha-poolsele, üle pleki.
- 3) Kui jõuate pleki otsani, vabastage pihusti käepide. Liigse pesuvahendi korjamiseks tõmmake käsitööriista veel 4 tolli tagasi.



- 4) Jätkake, kuni plekk on eemaldatud.

KASUTUSNÕUANDED

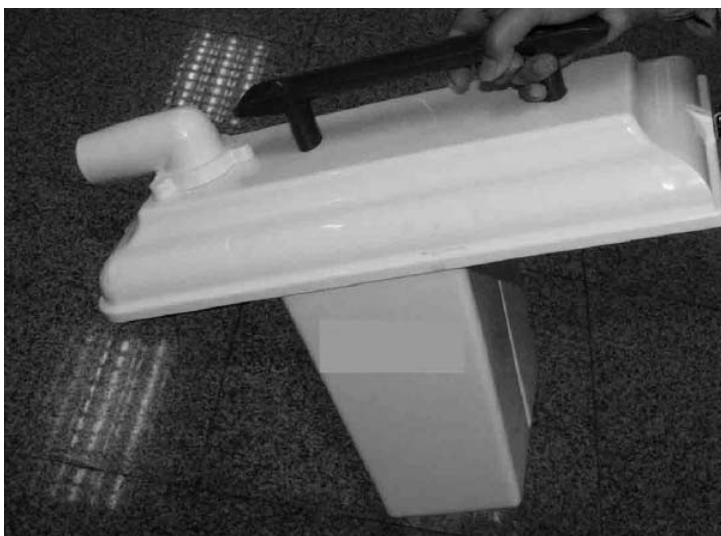
- 1) Kasutage ainult jahedat vett. Kuum vesi võib plekke tekitada.
- 2) Kontrollige pidevalt kogumispaaki kogunenud vahu hulka. Kasutage edasimüüja soovitatud vahueemaldusainet.
MÄRKUS: Liigne vahukogus kahjustab vaakummootorit.
- 3) Korrake kaevandamistoimingut tugevalt määrdunud aladel.
- 4) Kui määrdunud pesuvahendi taaskasutamine lõpeb või pesuvahendipaak on tühi, peate tühjenduspaagi tühjendama. (vt lõiku PAAGI TÜHJENDAMINE)

PAAKIDE TÜHJENDAMINE**PESUVAHENDIPAAGI TÜHJENDAMINE**

- 1) Lülitage masin välja ja ühendage toiteallikast lahti.
- 2) Ühendage pesuvahendi- ja vaakumvoolikud masina esiosast lahti.
- 3) Vabastage taastepaagi klambrid ja eemaldage taastepaak masinast.
- 4) Viige pesuvahendipaak ametlikku jäätmekogumiskohta ja visake sisu välja.

TAASTEPAAGI TÜHJENDAMINE

- 1) Lülitage masin välja ja ühendage toide vooluvõrgust lahti.
- 2) Vabastage taastepaagi klambrid ja eemaldage taastepaak masinast.
- 3) Viige taaskasutuspaak ametlikku jäätmekogumiskohta ja visake sisu välja.



- 4) Loputage paaki puhta veega.
- 5) Masin on uuesti kokku monteeritud.

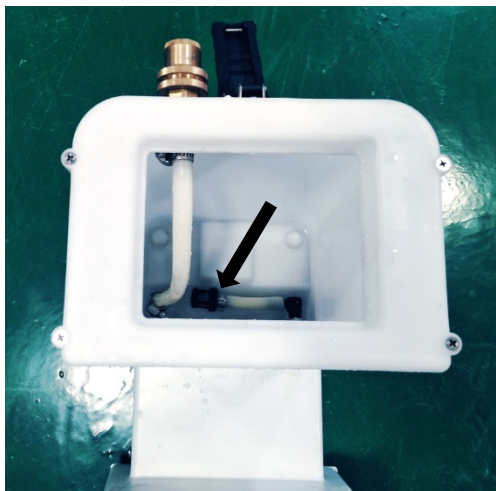
HOOLDUS

Masina pika tööea tagamiseks, järgige palun allkirjeldatud hooldusjuhiseid.

!!! Enne hooldus- või remonditööde alustamist veenduge alati, et masin oleks vooluvõrgust lahti ühendatud!!!

IGAPÄEVANE HOOLDUS

- 1) Kui olete päeva puhastustoimingud lõpetanud, tühjendage paak ja puhastage paak puhta veega põhjalikult.
- 2) Eemaldage järelejäänud pesuvahend pesuvahendipaagist.
- 3) Eemaldage vaakumfilter ja loputage seda puhta veega.
- 4) Kui filter on kuivanud, paigaldage see tagasi.



- 5) Eemaldage ja kontrollige pihustusvoolikut. Vajadusel puhastage voolik.

MÄRKUS: Ärge puhastage voolikut terava esemega, kuna see kahjustab voolikut.

- 6) Kontrollige harjariba ja eemaldage praht või vaibakiud.
- 7) Kontrollige õigetpidi pealepandavat käsitööriista ja eemaldage praht või vaibakiud.
- 8) Puhastage masin mitteabrasiivse puhastusvahendiga.
- 9) Kontrollige, et toitekaabel kahjustatud poleks. Vajadusel vahetage toitekaabel välja.

IGAKUINE HOOLDUS

- 1) Loputage pumpa ja torustikku kogunenud keemilise sette eemaldamiseks äädikhappelahusega. Segamisjuhised:
 - a. Eelsegage 8 untsi äädikhappelahust 1 galloni veega ja valage segu pesuvahendipaaki. Lülitage vaakumi-/pumbalüliti sisse.
 - b. Pange pörandatööriista pea pöranda äravooluava kohale ja tõmmake ühe (1) minuti jooksul pesuvahendipäästikut.
 - c. Lülitage masin välja ja jätke järelejäänud lahus ööseks masinasse.
 - d. Järgmisel päeval pihustage järelejäänud lahus välja ja loputage süsteem uuesti 1 galloni puhta veega.
- 2) Kontrollige, et masinal poleks veelekked.
- 3) Kontrollige, et masinal poleks puuduolevaid mutreid, kruvisid ega polte ja paigaldage vajadusel uued.

MASINA HOIUSTAMINE

- 1) Enne masina hoiustamist veenduge, et lahuse- ja taastamahutid oleksid puhtad ja ei sisaldaks lahust.
 - 2) Hoidke masinat püstises asendis kuivas kohas ja eemaldage hoiustamise ajaks vaakumvoolik, et võimaldada õhutinglust.
- MÄRKUS: Kui hoiate masinat külmumisohtlikus kohas, veenduge, et mahutid ega pesuvahenditorud ei sisaldaks vedelikke ja oleksid kuivad!*

LIHTNE VEAOTSING

VIGA	Võimalikud põhjused	Lahendus
Masin ei tööta	Pole ühendatud vooluvõrku	Ühendage maandatud pistikupessa
	Vigane toitekaabel	Pöörduge edasimüüja poole
	Kahjustatud pikenduskaabel	Paigaldage uus toitekaabel
	Hoone kaitselüliti aktiveerus	Lähtestage kaitselüliti
Pesuvahendipump ei tööta	Vaakumi-/pumbalüliti pole aktiivses olekus	Viige lüliti aktiivsesse asendisse
	Vaakumi-/pumbalüliti on vigane	Pöörduge edasimüüja poole
	Vigane solenoid	Pöörduge edasimüüja poole
	Vigane pesuvahendipump	Pöörduge edasimüüja poole
	Pump on ülekuumenenud	Tehke kindlaks ülekuumenemise põhjus ja laske pumbal 30 minutit jahtuda
	Juhtmed on lahti või katki	Pöörduge edasimüüja poole
Vaakumootor ei tööta	Vaakumi-/pumbalüliti pole aktiivses olekus	Viige lüliti aktiivsesse asendisse
	Vaakumi-/pumbalüliti on vigane	Pöörduge edasimüüja poole
	Vaakumootori termilise ülekoormuse lüliti aktiveerus	Kontrollige takistusi ja laske seadmel 30 minutit jahtuda
	Vigane vaakumootor	Pöörduge edasimüüja poole
	Kulunud süsinikharjased	Pöörduge edasimüüja poole
	Juhtmed on lahti või katki	Pöörduge edasimüüja poole
Kehv kiirendus	Õhuleke taastetihendi ümber	Veenduge, et taastekaas oleks tugevalt kinni keeratud
	Vaakumtihend on kahjustatud või kulunud	Vahetage tihend
	Avage vaakumvooliku ühendusi	Veenduge, et vaakumvooliku ühendused oleksid tugevalt kinni keeratud
	Defektne vaakumvoolik	Vahetage vaakumvoolik välja
	Lahtised vaakumvooliku mansetid	Veenduge, et mansetid oleksid korpuse külge kinnitatud
	Vaakumvoolik on ummistunud	Eemaldage vaakumvooliku takistus
Ebaühtlane või puuduv pesuvahendipihustus	Pesuvahendipaak on tühi või peaaegu tühi	Täitke pesuvahendipaak
	Vaakumi-/pumbalüliti pole aktiivses olekus	Viige lüliti aktiivsesse asendisse
	Määrdunud või kinnised pihustusotsakud	Puhastage pihustusotsakud või vahetage need välja
	Vale pihustusotsaku suurus või pihustusnurk	Pöörduge edasimüüja poole
	Kulunud pihustusotsakud	Pöörduge edasimüüja poole
	Vigane pesuvahendipump	Pöörduge edasimüüja poole
	Ummistunud pesuvahendipaagifilter	Puhastage või vahetage filter
	Purustatud või kändunud pesuvahendivoolik	Kontrollige takistusi ja sõlmi ning vajadusel muutke vooliku paigutust või vahetage voolik välja

VEAOTSING

KASUTUSELT KÕRVALDAMINE

Masina kasutuselt kõrvaldamiseks toimetage see ettenähtud kogumispunkti.

Enne masina kõrvaldamist eemaldage sellelt ja sorteerige alljärgnevad osad, mis tuleb kehtivate seaduste ning eeskirjade kohaselt eraldi utiliseerida.

- Hari või padjahoidja
- Plastvoolik ja plastosad
- Elektrilised ja elektroonilised komponendid (*)

(*) Võtke elektri- ja elektroonikakomponentide kõrvaldamise osas ühendust meie volitatud hoolduskeskusega.

Masina materjalide koostisosad ja ringlussevõetavus

Tüüp	Ringlussevõetavuse protsent	WOLF130 massiprotsent %
Erinevad elektrimootorid	20%	22%
Metallmaterjalid	80%	20%
Juhtmekimbud	80%	1%
Vedelikud	100%	0%
Ringlussevõtuks sobimatud plastmaterjalid	0%	1%
Ringlussevõtuks sobivad plastmaterjalid	100%	45%
Kumm	20%	1%

JOHDANTO**HUOMAUTUS**

Sulkeissa esitetyt numerot ovat Laitteen kuvaus -luvussa esitetyjä osanumeroita.

OPPAAN SISÄLTÖ JA TARKOITUS

Tämän käyttöohjeen tarkoituksena on antaa kuljettajalle kaikki perustiedot ja tekniset ominaisuudet, toiminta, koneen passiivisuus, varaosat ja turvallisuusolosuhteet, jne.

Kaikkien laitetta käyttävien ja huoltavien henkilöiden on luettava laitteen käyttöopas huolellisesti ennen laitteen käsittelyä. Ota meihin yhteyttä, mikäli et ole varma ohjeiden sisällöstä tai jos haluat laitetta koskevia lisätietoja.

KUINKA SÄILYTTÄÄ TÄMÄ OHJE KÄYTTÖÄ VARTEN

Säilytä tätä opasta laitteen välittömässä läheisyydessä ja asianmukaisesti suojattuna. Pidä opas etäällä nesteistä ja muista aineista, jotka saattaisivat vahingoittaa sitä.

VAATIMUSTENMUKAISUUSVAKUUTUS

Laitteen mukana toimitetaan vaatimustenmukaisuusvakuutus, joka toimii vakuutena siitä, että laite on voimassa olevan lainsäädännön mukainen.

**HUOMAUTUS**

Kopio alkuperäisestä vaatimustenmukaisuusvakuutuksesta sisältyy laitteen mukana toimitettaviin asiakirjoihin.

OSAT JA HUOLTO

Laitetta saavat korjata ja huoltaa ainoastaan asianmukaisen koulutuksen saaneet henkilöt tai yrityksemme viralliset huoltoliikkeet.

Laitteessa tulee käyttää AINOASTAAN valmistajan omia tai valmistajan hyväksymiä varusteita ja varaosia.

Ota yhteys yhtiömme asiakaspalveluun, mikäli tarvitset apua varusteiden tai lisäosien hankintaan.

MUUTOKSET JA PARANNUKSET

Olemme sitoutuneet kehittämään tuotteitamme jatkuvasti ja varaamme oikeuden tehdä laitteeseen muutoksia ja parannuksia ilman erillistä ilmoitusta.

KÄYTTÖTARKOITUKSET

Tämä kone on tarkoitettu kaupalliseen käyttöön. Se on rakennettu käyttöön sisätiloissa, eikä sitä ole tarkoitettu mihinkään muuhun käyttöön. Käytä vain suositeltuja lisävarusteita.

LAITTEEN TUNNISTETIEDOT

Laitteen sarjanumero ja mallin nimi on ilmoitettu siihen kiinnitetyssä tunnistetarrassa.

Nämä tiedot ovat tärkeitä ja saatat tarvita niitä. Kirjoita tarraan merkityt tiedot alla oleville riveille, jotta ne ovat helposti saatavilla, mikäli sinun on tilattava laitteeseen varaosia.

KONEEN MALLI

KONEEN SARJANUMERO

KULJETTAMINEN JA PAKKAUKSEN AVAAMINEN

Tarkista kuljetuspakkaus huolellisesti vaurioiden varalta. Ilmoita pakkauksen vahingoista välittömästi kuljetusliikkeelle.

Tarkista pakkauksen sisältö varmistaaksesi, että pakkaus on täydellinen. Ota yhteyttä jälleenmyyjään, jos jotain puuttuu.

Sisällys:

- Carpet Spotter
- Imu- ja liuosletkut
- Käsityökalu

TURVALLISUUS

Seuraavat symbolit ilmoittavat tilanteista, jotka saattavat aiheuttaa vaaran. Lue nämä tiedot huolellisesti, ja varmista, että olet tehnyt kaikki sellaiset toimet, jotka ovat välttämättömiä henkilövahinkojen ja aineellisten vahinkojen välttämiseksi.

LAITTEESSA OLEVAT VAROITUSMERKINNÄT**VAROITUS!**

Lue kaikki laitteen käyttöohjeet huolellisesti ennen laitteen käyttämistä.

**VAROITUS!**

Älä pese laitetta painepesurilla tai suihkuta vettä suoraan sitä kohti.

SYMBOLIT, JOTKA TULEVAT NÄKYVIIN OHJEESSA KÄYTTÖÄ VARTEN**VAARA!**

Uhkaava vaaratilanne, joka voi aiheuttaa käyttäjälle kuolemanvaaran.

**VAROITUS!**

Ilmoittaa henkilövahinkojen riskistä.

**HUOMIO!**

Ilmoittaa laitteen käyttöön tai toimintoihin liittyvästä varoituksesta tai huomautuksesta. Kiinnitä erityistä huomiota tällä merkinnällä varustettuihin kappaleisiin.

**HUOMAUTUS**

Ilmoittaa laitteen käyttöön tai toimintoihin liittyvästä huomautuksesta.

**NEUVOTTELU**

Tämä merkintä ilmoittaa tilanteista, joissa käyttäjän on syytä tarkistaa asianmukainen kohta laitteen käyttöoppaasta ennen toimenpiteen suorittamista.

YLEISET TURVAOHJEET

Yleistä – Tämä mattotahrojen puhdistuskone on maadoitettava käytön ajaksi käyttäjän suojaamiseksi sähköiskulta. Koneessa on kolmijohdellinen maadoituspistoke oikean maadoitustyyppin sovittamiseksi. Vihreä (tai keltavihreä) johdin on maadoitusjohdin. Älä koskaan kytke tätä johdinta muuhun kuin pistotulpan maadoitusliittimeen.

Tämä kone on tarkoitettu käytettäväksi nimellisjännitteeltään 220–240 V piirissä, ja siinä on maadoituspistoke, joka vastaa alla olevassa kuvassa esitettyä pistoketta. Varmista, että laite on kytketty pistorasiaan, jonka ominaisuudet vastaavat pistokkeen ominaisuuksia. Tämän laitteen kanssa ei tule saa sovittimia.

Ihmisiin ja laitteeseen mahdollisesti aiheutuvia vahinkoja koskevat erityiset varoitukset ja huomautukset on esitetty alla.

**VAARA!**

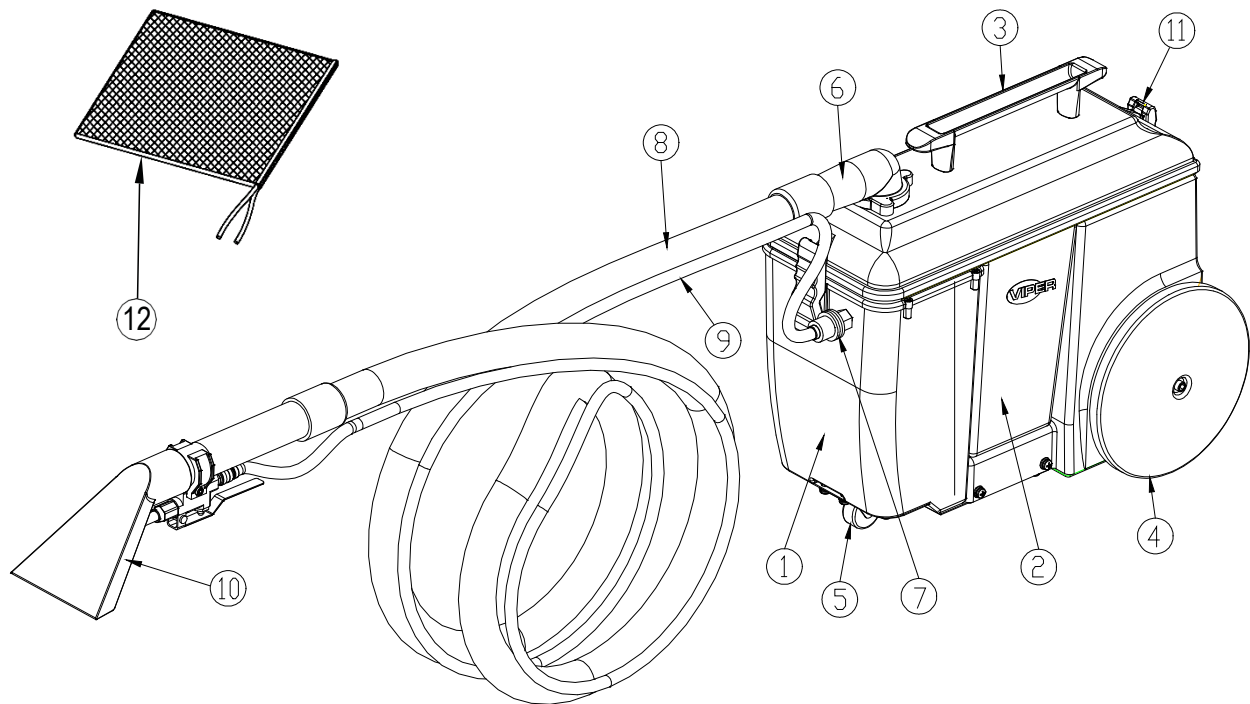
- Laitetta saavat käyttää ainoastaan asianmukaisen koulutuksen ja käyttöön vaadittavat luvat omaavat henkilöt, ja käytön on tapahduttava käyttöoppaan ohjeiden mukaisella tavalla.
- Ennen kuin teet mitään puhdistus-, huolto-, korjaus- tai vaihtotoimenpiteitä, lue kaikki ohjeet huolellisesti ja varmista, että kone sammutetaan.
- Älä käytä laitetta minkään myrkyllisten, vaarallisten, tulenarkojen ja/tai räjähdysherkkien pölyjen, nesteiden tai höyryjen läheisyydessä. Laite ei sovellu vaarallisten pölyjen keräämiseen.
- Älä käytä koruja, kun työskentelet sähköisten komponenttien läheisyydessä.
- Jos työskentelet laitteen alla, varmista, että laite on asetettu turvatukien varaan.

**VAROITUS!**

- Tämä kone on tarkoitettu KAUPALLISEEN KÄYTTÖÖN, esimerkiksi hotelleissa, kouluissa, sairaaloissa, tehtaissa, kaupoissa, toimistoissa ja vuokrausyrityksissä.
- Valvomattomat koneet on varmistettava tahattomalta liikkeeltä.
- Koneen luvattoman käytön estämiseksi virtalähde on kytkettävä pois päältä tai lukittava.
- Tarkista laite huolellisesti ennen jokaista käyttökertaa. Varmista, että kaikki laitteen osat ovat tiukasti paikoillaan ennen kuin käytät laitetta. Irralliset osat saattavat aiheuttaa henkilö- tai aineellisia vahinkoja.
- Älä koskaan siirrä konetta vetämällä kaapelista. Älä kuljeta johtoa suljetun oven välistä tai kiristä sitä tiukalle teräviä reunoja tai kulmia vasten. Älä aja konetta kaapelin yli. Pidä kaapeli etäällä kuumista pinnoista.
- Tulipalon, sähköiskun ja vammojen välttämiseksi varmista, että laite on sammutettu, kun poistut laitteen luota.
- Säilytä laitetta kuivassa sisätilassa. Laitetta ei ole sallittu ulkokäyttöön.
- Laitetta tulee käyttää ja säilyttää ainoastaan tiloissa, joiden lämpötila on 0–40 °C ja joiden ilmankosteus on välillä 30 %–95 %.
- Älä käytä laitetta pinnoilla, joiden kaltevuus ylittää ohjeissa ilmoitetun suurimman sallitun kaltevuuden.
- Käyttäessäsi ja käsitellessäsi lattianpesuaineita noudata aineiden pakkauksissa esitettyjä ohjeita ja käytä asianmukaisia suojakäsineitä ja -varusteita.
- Mikäli laitteessa ilmenee toimintahäiriö, varmista aluksi, ettei häiriö johdu puutteellisiksi jääneistä huoltotoimenpiteistä. Mikäli tarpeen, ota yhteys asianmukaiseen huoltohenkilöstöön tai viralliseen huoltopisteeseen.

- Varmista aina, ettei hiuksia, koruja tai löysiä vaatteita pääse laitteen liittyvien osien väliin.
- Älä käytä laitetta erityisen pölyisissä ympäristöissä.
- Älä pese laitetta painepesurilla, vesisuihkulla tai millään syövyttävällä aineella.
- Vältä törmäämistä hyllyihin tai telineisiin, etenkin mikäli näillä on esineitä, jotka voivat pudota.
- Älä aseta nesteastioita laitetta vasten tai sen päälle. Pidä astiat asianmukaisissa pidikkeissään.
- Tulipalon sattuessa: käytä jauhesammutinta palon sammuttamiseen. Älä käytä nestettä sisältäviä sammuttimia.
- Älä poista tai muokkaa laitteeseen kiinnitettyjä merkintöjä.
- Ole erityisen varovainen, mikäli kuljetat laitetta lämpötilan ollessa alle nolla astetta. Likavesisäiliössä ja letkuissa oleva vesi saattaa jäätyä, minkä seurauksena laite voi vaurioitua vakavasti.
- Mikäli laitteeseen tulee vaihtaa osia, tilaa asianmukaiset ja ALKUPERÄISET varaosat valtuutetulta jälleenmyyjältä tai maahantuojalta.
- Palauta kone huoltoliikkeeseen, jos se ei toimi normaalisti tai on vaurioitunut.
- Jotta laite toimisi asianmukaisella ja turvallisella tavalla, sitä on huollettava asianmukaisen huoltohenkilöstön tai valtuutetun jakelijan tai jälleenmyyjän toimesta tämän oppaan huoltoa koskevassa luvussa esitetyn huolto-ohjelman mukaisella tavalla.
- Tämä kone on vain puhdistustyökalu, eikä sitä ole tarkoitettu mihinkään muuhun käyttöön.
- Pidä pöly, hiukset tai muut vieraat aineet etäällä laitteen ilmanvaihtoaukoista, jotta laitteen ilmanvaihto toimii asianmukaisesti. Älä käytä laitetta, mikäli ilmanvaihtoaukot ovat tukkeutuneet.
- Käytä laitetta vain hyvin valaistuissa tiloissa.
- Tätä konetta ei ole tarkoitettu käyttämään henkilöitä (mukaan lukien lapset), joilla on heikentyneet fyysiset, aisti- tai henkiset kyvyt tai joilla ei ole kokemusta ja tietoja.
- Tarkka tarkkaavaisuus on tarpeen käytettäessä lasten lähellä.
- Älä anna lasten leikkiä laitteella.
- Varmista, ettei laitteen käytöstä aiheudu henkilö- tai aineellisia vahinkoja.
- Lapset eivät saa puhdistaa ja huoltaa käyttäjiä ilman valvontaa.
- Käyttäjien on saatava riittävästi ohjeita näiden koneiden käytöstä.
- Tässä laitteessa on maadoitusliitäntä vain toiminnallisiin tarkoituksiin
- Jos virtakaapeli on vaurioitunut, valmistajan, tämän huoltoedustajan tai vastaavan pätevyyden omaavan henkilön on vaihdettava se vaaran välttämiseksi.
- Irrota pistoke pistorasiasta puhdistuksen tai huollon ajaksi, ja kun vaihdat osia tai muunnat koneen toiseen toimintoon

KONEEN KUVAUS
KONEEN RAKENNE

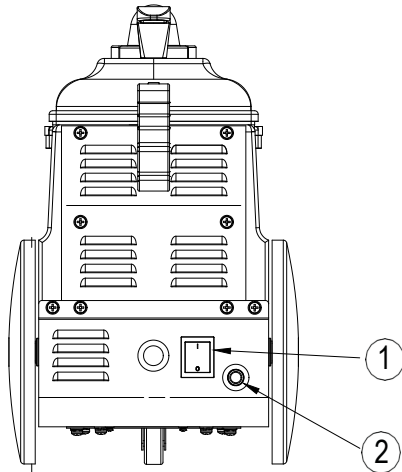


Kuva 1

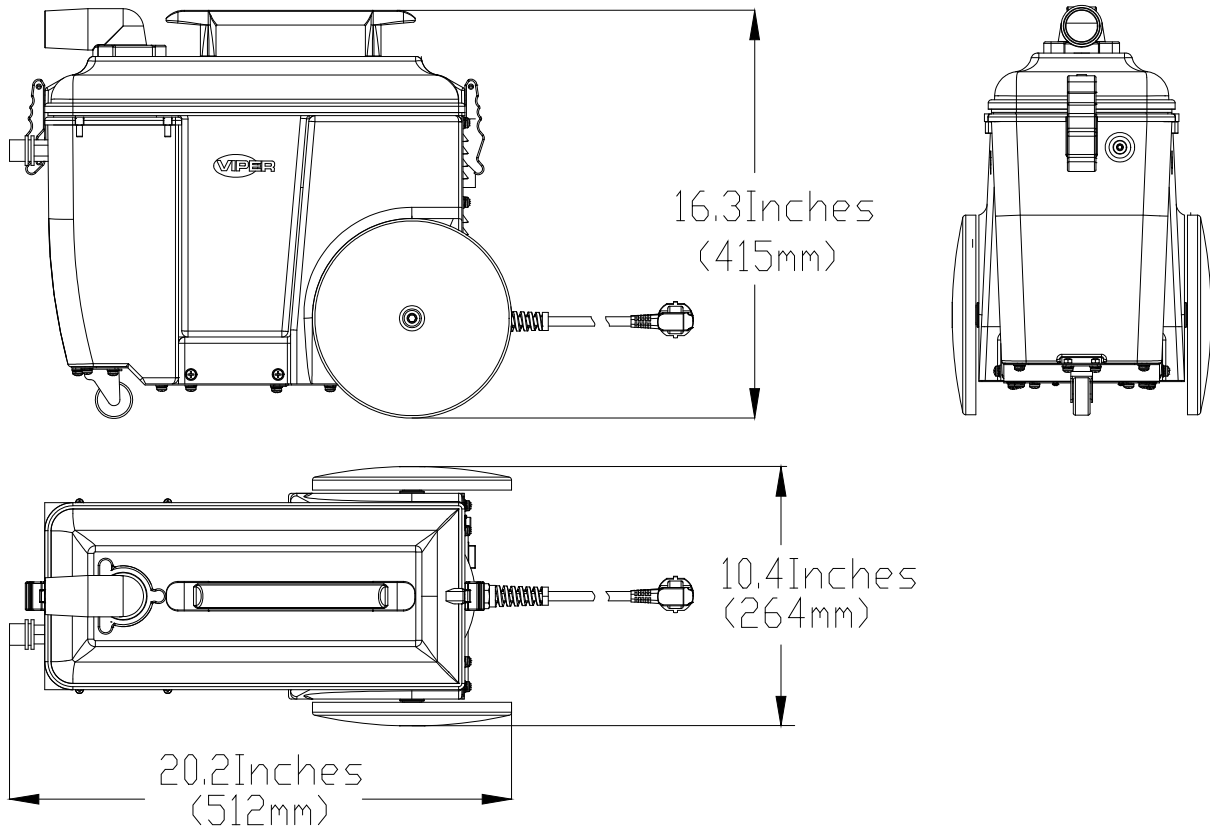
- | | |
|-----------------------|------------------------------|
| 1. Liuossäiliö | 7. Liuosletkun liitântä |
| 2. Likavesisäiliö | 8. Imuletku |
| 3. Kahva | 9. Liuosletku |
| 4. Kuljetuspyörät | 10. Käsityökalu |
| 5. Etupyörä | 11. Puristin |
| 6. Imuletkun liitântä | 12. Sininen lisävarustepussi |

OHJAUSPANEELI

1. Virtakytkin
2. Ylikuormitussuoja



KONEEN KOKO

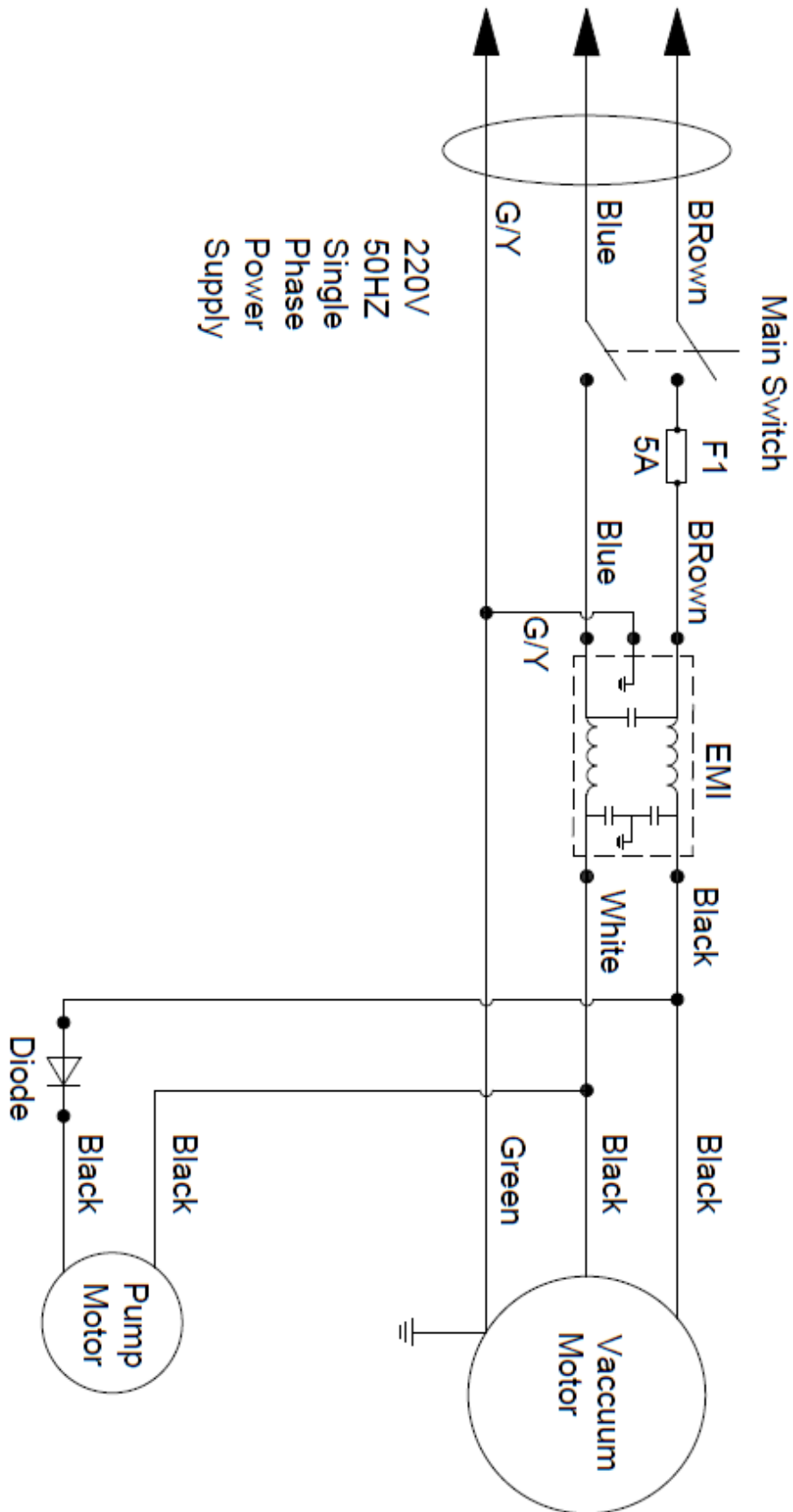


TEKNISET PARAMETRIT

Mallit	EU	UK	TURKEY
Pääkuvaus	WOLF130		
Viitenro. Varastokoodi	50000589	50000604	50000603
Jännite	220-240V		
Imumoottori	1000W		
Virrankulutus	4.7A		
Paino	9.85kg		
Kuljetuspaino	29.8 lbs. (13.5 kg)		
Äänenpainetaso	80 dB		
Melutaso	67 dB A		
Liuospumpun paine	30 PSI (2 baari)		
Vesihissi (suurin imu)	85 tuumaa H ₂ O (21.8kpa)		
Virtakaapeli ft	10 m, turvaoranssi		
Puhdistuspolku tuumaa	4 "(10.2 cm)		
Liuos- ja likavesisäiliön gallonat	3.8L		
Liuos- ja imuletkut ft	3m		
Mitat P x L x K	23.3 x 15.4 x 19.3 tuumaa (59 x 39 x 49 cm)		

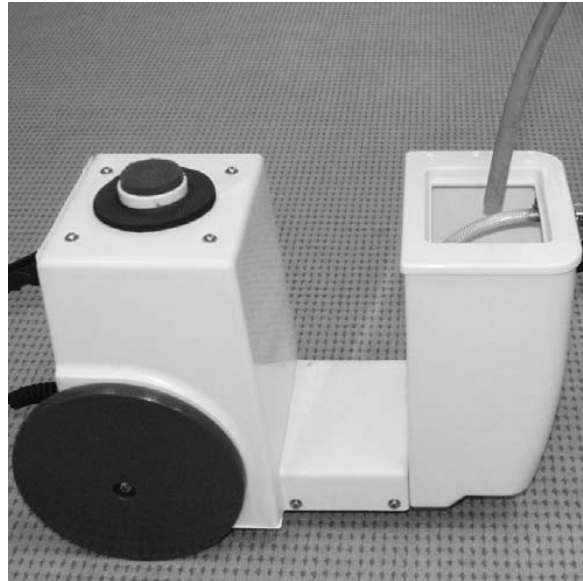
(*): Valinnainen

JOHDOTUSKAAVIO



KÄYTTÖOPAS**Lue käyttöohje huolellisesti ennen tämän koneen käyttöä tai huoltoa**

- 1) Täytä säiliö letkun tai ämpärin avulla enintään 1 gallonalla vettä (veden lämpötila alle 50 °C).

**Älä käytä syttyviä nesteitä tai käytä konetta syttyvien nesteiden tai höyryjen läheisyydessä**

- 2) Liitä liuosletku ja imuletku koneeseen.
- 3) Liitä virtakaapeli maadoitettuun pistorasiaan. (katso maadoitusohjeet)

KONEEN KÄYTTÖ**ENNEN TAHROJEN POISTAMISTA**

- 1) Tarkista virtakaapeli vaurioiden varalta. Vaihda kaapeli, jos siinä on vaurioita.
- 2) Imuroi matto roskien poistamiseksi ennen tahrannoistoa.

TAHRANPOISTO

- 1) Aseta virtakytkin "I" -asentoon.
HUOMAUTUS: Liuosta suihkutetaan vain, kun suihkukahvaa (käsiyökalussa) vedetään.
- 2) Puhdistuksen aloittamiseksi vedä suihkukahvasta (käsiyökalu) ja aloita vetämällä työkalua taaksepäin tahran yli.
- 3) Vapauta suihkukahva, kun olet saavuttanut tahran lopun. Vedä käsiyökalua takaisin vielä 4 tuumaa poistaaksesi liian liuoksen.



- 4) Jatka, kunnes tahra on poistettu.

KÄYTTÖVIHJEITÄ

- 1) Käytä vain viileää vettä. Kuuma vesi voi jättää tahran.
- 2) Tarkista toistuvasti, ettei likavesisäiliössä ole vaahtoa. Käytä jälleenmyyjän suosittelemaa vaahdonhallintaliuosta.
HUOMAUTUS: Liiallinen vaahdon kertyminen vahingoittaa imumoottoria.
- 3) Toista poistoreitti voimakkaasti likaantuneilla alueilla.
- 4) Kun likaisen liuoksen talteenotto loppuu tai liuossäiliö on tyhjä, tyhjennä likavesisäiliö. (katso SÄILIÖN TYHJENNYS)

SÄILIÖIDEN TYHJENTÄMINEN

LIUOSSÄILIÖN TYHJENTÄMINEN

- 1) Sammuta kone ja irrota se virtalähteestä.
- 2) Irrota liuos- ja imuletkut koneen etupuolelta.
- 3) Irrota likavesisäiliön kiinnikkeet ja poista likavesisäiliö koneesta.
- 4) Vie liuossäiliö hyväksytylle viemärille ja kaada sisältö pois.

LIKAVESISÄILIÖN TYHJENTÄMINEN

- 1) Sammuta kone ja irrota se virtalähteestä.
- 2) Irrota likavesisäiliön kiinnikkeet ja poista likavesisäiliö koneesta.
- 3) Vie likavesisäiliö hyväksytylle viemärille ja tyhjennä sen sisältö.



- 4) Huuhtelee likavesisäiliö puhtaalla vedellä.
- 5) Kokoa kone uudelleen.

HUOLTO

Jotta kone toimisi hyvin useiden vuosien ajan, niin noudata seuraavia huoltomenettelyjä.

!!! Ennen kuin teet mitään huolto- tai korjaustöitä, niin varmista aina, että kone on irrotettu pistorasiasta!

PÄIVITTÄINEN HUOLTO

- 1) Kun päivän puhdistustyö on päättynyt, tyhjennä ja huuhtele likavesisäiliö huolellisesti puhtaalla vedellä.
- 2) Poista jäljellä oleva liuos liuossäiliöstä.
- 3) Poista imusuodatin ja huuhtele se puhtaalla vedellä.
- 4) Vaihda suodatin kun se on kuiva.



- 5) Poista ja tarkista suihkusuutin. Puhdista suihku tarvittaessa.

HUOMAUTUS: Älä puhdista suihkua terävällä esineellä, koska se vahingoittaa suuttimia.

- 6) Tarkista harjanauha ja poista roskat tai maton kuidut.
- 7) Tarkista käsityökalun nostopää ja poista roskat ja maton kuidut.
- 8) Puhdista kone hankaamattomalla puhdistusaineella.
- 9) Tarkista virtakaapeli vaurioiden varalta. Vaihda tarvittaessa.

KUUKAUSITTAINEN KUNNOSSAPITO

- 1) Huuhtele pumppu ja putkisto etikkahappoliuoksella kemikaalikertymisen liuottamiseksi.

Sekoitusohjeet:

- a. Esisekoita 8 oz. etikkahappoliuosta 1 gallonaan vettä, ja kaada seos liuossäiliöön.

Kytke imukytkin päälle.

- b. Aseta lattiatyökalupää lattiakaivon päälle ja vedä liuoksen liipaisinta yhden (1) minuutin ajan.

- c. Sammuta kone ja anna jäljellä olevan liuoksen olla koneessa yön yli.

- d. Seuraavana päivänä suihkuta jäljellä oleva liuos pois ja huuhtele järjestelmä uudelleen 1 gallonalla puhdasta vettä.

- 2) Tarkista, ettei koneessa ole vuotoja.
- 3) Tarkista koneesta löysät tai puuttuvat mutterit, ruuvit ja pultit, ja tarvittaessa kiristä/korvaa ne uusilla.

KONEEN VARASTOINTI

- 1) Varmista ennen koneen varastointia, että liuos- ja likavesisäiliöt ovat puhtaat ja tyhjä.
- 2) Säilytä konetta pystyasennossa kuivassa tilassa imuletku poistettuna ilmankiertoa varten.

HUOMAUTUS: Jos varastoit konetta alueelle, jossa se voi jäätyä, niin varmista, että molemmat säiliöt ja liuosputket ovat tyhjä kaikesta vedestä ja ne ovat kuivia!

PERUSVIANETSINTÄ

Vika	Todennäköiset syyt	Korjaus
Kone ei toimi	Ei kytketty virtalähteeseen	Kytke maadoitettuun pistorasiaan
	Viallinen virtakaapeli	Ota yhteyttä jälleenmyyjään
	Viallinen jatkojohto	Vaihda jatkojohto uuteen
	Rakennuksen johdonsuoja (sulake) lauennut	Nollaa johdonsuoja (sulake)
Liuospumppu ei toimi	Imun / pumpun kytkin ei ole päällä	Kytke kytkin päälle
	Imun / pumpun kytkin viallinen	Ota yhteyttä jälleenmyyjään
	Viallinen solenoidi	Ota yhteyttä jälleenmyyjään
	Viallinen liuospumppu	Ota yhteyttä jälleenmyyjään
	Pumppu ylikuumentunut	Selvitä syy, ja anna pumpun jäähtyä 30 minuuttia
	Johdotus löysä tai rikkoutunut	Ota yhteyttä jälleenmyyjään
Imumoottori ei toimi	Imun / pumpun kytkin ei ole päällä	Kytke kytkin päälle
	Imun / pumpun kytkin viallinen	Ota yhteyttä jälleenmyyjään
	Imumoottorin lämpöylikuormitus lauennut	Tarkista tukkeumat ja anna jäähtyä 30 minuuttia
	Viallinen imumoottori	Ota yhteyttä jälleenmyyjään
	Kuluneet hiiliharjat	Ota yhteyttä jälleenmyyjään
	Johdotus löysä tai rikkoutunut	Ota yhteyttä jälleenmyyjään
Huono poiminta	Ilmaa vuotaa likavesitiivisteen ympäriltä	Varmista, että likavesikansi on kiristetty tiukasti
	Imutiiviste vaurioitunut tai kulunut	Vaihda tiiviste
	Löysät imuletkun liitännät	Varmista, että imuletkun liitännät ovat tiukat
	Viallinen imuletku	Vaihda imuletku
	Löysät imuletkun mansetit	Varmista, että mansetit ovat kunnolla kiinni kotelossa
	Imuletku tukossa	Poista imuletkun tukos
Epätasainen suihku tai ei liuossuihkua	Liuossäiliö on tyhjä tai liuos vähissä	Täytä liuossäiliö
	Imun / pumpun kytkin ei ole päällä	Kytke kytkin päälle
	Likaiset tai tukkeutuneet ruiskutus-suuttimet	Puhdista tai vaihda ruiskutus-suuttimet
	Virheellinen ruiskutus-suuttimen koko tai suihkutuskulma	Ota yhteyttä jälleenmyyjään
	Kuluneet ruiskutus-suuttimet	Ota yhteyttä jälleenmyyjään
	Viallinen liuospumppu	Ota yhteyttä jälleenmyyjään
	Tukkeutunut liuossäiliön suodatin	Puhdista tai vaihda suodatin
	Puristunut tai taittunut liuosletku	Tarkista mahdolliset esteet ja vääntymät sekä reitit uudelleen tai vaihda tarvittaessa

VIANHAKU**KIERRÄTYS**

Laite tulee toimittaa hävitettäväksi asianmukaiseen jätteidenkäsittelylaitokseen.

Ennen hävittämistä, irrota laitteesta seuraavat osat, ja toimita ne kierrätettäväksi/hävitettäväksi voimassa olevan lainsäädännön mukaisella tavalla.

- Harjan/laipan pidike
- Muoviletku ja muoviosat
- Sähkö ja elektroniikkakomponentit (*)

(*) Ota yhteyttä yrityksemme palvelukeskukseen tuhoamalla kaikki sähköiset ja elektroniikkakomponentit.

Koneen materiaalin koostumus ja kierrätettävyys

Tyyppi	Kierrätysprosentti	WOLF130 painoprosentti %
Sähkösäädin-erilaiset	20 %	22 %
Rautamateriaalit	80 %	20%
Johtosarja	80%	1 %
Nesteet	100 %	0 %
Muovinen ei-kierrätettävä materiaali	0%	1%
Muovinen kierrätettävä materiaali	100%	45 %
Kumi	20%	1%

INTRODUCTION



REMARQUE

Les chiffres entre parenthèses renvoient aux éléments présentés dans le chapitre **Description de la Machine**.

BUT ET CONTENU DU GUIDE

Le but de ces instructions d'utilisation est de fournir à l'opérateur toutes les informations de base et les caractéristiques techniques, les conditions de fonctionnement, d'inactivité, les pièces détachées et les conditions de sécurité de la machine, etc.

Avant d'effectuer toute opération sur la machine, les opérateurs et les techniciens qualifiés doivent lire les Instructions d'utilisation. Contacter notre société en cas de doutes concernant l'interprétation des instructions ou pour toute information complémentaire.

COMMENT CONSERVER CES INSTRUCTIONS D'UTILISATION

Les instructions d'utilisation doivent être conservées près de la machine, dans une pochette spéciale, à l'écart des liquides et d'autres substances susceptibles de l'abîmer.

DÉCLARATION DE CONFORMITÉ

La déclaration de conformité est fournie avec la machine et certifie la conformité de la machine rapport à la loi en vigueur.



REMARQUE

Les copies de la déclaration originale de conformité sont fournies avec la documentation de la machine.

ACCESSOIRES ET ENTRETIEN

Toutes les opérations nécessaires, les procédures d'entretien et de réparation doivent être effectuées par un personnel qualifié ou par le centre d'entretien désigné de notre société. N'utiliser QUE les pièces détachées et les accessoires autorisés.

Contactez le service à la clientèle de notre société pour tout service ou achat d'accessoires ou pièces détachées si nécessaire.

CHANGEMENT ET AMÉLIORATION

Nous nous engageons à l'amélioration continue de nos produits. La société se réserve le droit de modifier et d'améliorer la machine sans informations supplémentaires.

CHAMP D'APPLICATION

Cette machine est destinée à un usage commercial. Elle est conçue pour être utilisée dans un environnement intérieur et n'est destinée à aucun autre usage. Utiliser uniquement les accessoires recommandés.

DONNÉES D'IDENTIFICATION DE LA MACHINE

Le numéro de série et le nom du modèle de la machine sont indiqués sur l'étiquette de série.

Ces informations sont utiles. Utiliser le tableau suivant pour noter les données d'identification de la machine, lors de communication nécessitant des pièces de rechange pour la machine.

MODÈLE DE MACHINE.....

NUMÉRO DE SÉRIE DE LA MACHINE.....

TRANSPORT ET DÉBALLAGE

Vérifier soigneusement si le carton d'emballage porte des signes de dommages. Signaler immédiatement tout dommage de l'emballage au transporteur.

Vérifier si le contenu du carton est complet. Contacter son distributeur s'il manque quelque chose.

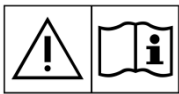
Table des matières :

- Nettoyeur - détacheur de tapis
- Tuyaux d'aspiration et de solution
- Outil manuel

SÉCURITÉ

Les symboles suivants indiquent les situations potentiellement dangereuses. Toujours lire attentivement ces informations et prendre toutes les précautions nécessaires pour protéger les personnes et les biens.

SYMBOLES VISIBLES SUR LA MACHINE



AVERTISSEMENT !

Lire toutes les instructions avec attention avant d'effectuer toute opération sur la machine.



AVERTISSEMENT !

Ne pas laver la machine avec des jets d'eau directs ou sous pression.

SYMBOLES UTILISÉS DANS LES INSTRUCTIONS D'UTILISATION



DANGER !

Cela indique une situation dangereuse avec risque de mort pour l'opérateur.



AVERTISSEMENT !

Cela indique un risque potentiel de blessure pour les personnes.



ATTENTION !

Cela indique un avertissement ou une remarque concernant des fonctions importantes ou utiles. Prêter l'attention aux paragraphes marqués par ce symbole.



REMARQUE

Cela indique une remarque sur des fonctions importantes ou utiles.



CONSULTATION

Ceci indique la nécessité de se référer aux instructions d'utilisation avant d'entreprendre toute procédure.

CONSIGNES GÉNÉRALES DE SÉCURITÉ

Généralités– Cette machine de nettoyage de tapis doit être mise à la terre pendant son utilisation afin de protéger l'opérateur contre les chocs électriques. La machine est munie d'une fiche à trois contacts de mise à la terre pour s'adapter à la prise de mise à la terre appropriée. Le conducteur vert (ou vert et jaune) dans le cordon est le fil de terre. Ne jamais brancher ce fil à d'autres broches que la broche de mise à la terre de la fiche.

Cette machine est destinée à être utilisée sur un circuit nominal de 220-240 volts et possède une fiche de terre qui ressemble à la fiche illustrée dans la figure ci-dessous. S'assurer que la machine est connectée à une prise ayant la même configuration que la fiche. Aucun adaptateur ne doit être utilisé avec cet machine.

Les avertissements et les mises en garde spécifiques, pour informer des dommages potentiels aux personnes et à la machine, sont indiqués ci-dessous.

**DANGER !**

- Cette machine doit être exploitée par du personnel qualifié et autorisé selon les conseils du manuel.
- Avant d'effectuer toute opération de nettoyage, d'entretien, de réparation ou de remplacement, lire attentivement toutes les instructions et veiller à éteindre la machine.
- Ne pas faire fonctionner la machine à proximité de poudres, vapeurs ou liquides toxiques, dangereux, inflammables et/ou explosifs. Cette machine ne convient pas pour la collecte des poudres dangereuses.
- Ne pas porter de bijoux lors du travail à proximité de composants électriques.
- Ne pas travailler sous la machine soulevée sans qu'elle soit supportée par des béquilles de sécurité.

**AVERTISSEMENT !**

- Cette machine est conçue pour l'USAGE COMMERCIAL, par exemple dans des hôtels, des écoles, des hôpitaux, des usines, des magasins, des bureaux et des entreprises de propreté.
- Les machines laissées sans surveillance doivent être bloquées afin d'empêcher tout mouvement involontaire.
- Afin d'empêcher une utilisation non autorisée de la machine, la source d'alimentation doit être éteinte ou verrouillée.
- Inspecter attentivement la machine avant chaque utilisation. Veiller à ce que tous les composants aient été bien assemblés avant l'utilisation. Les éléments lâches peuvent causer des dommages aux personnes et aux biens.
- Ne jamais déplacer la machine en tirant sur le câble. Ne pas faire passer le câble par une porte fermée ni l'enrouler autour de bords ou d'arêtes tranchantes. Ne pas faire fonctionner la machine par-dessus le câble. Éloignez le câble des surfaces chaudes.
- Pour réduire le risque d'incendie, de choc électrique ou de blessure, s'assurer que la machine est éteinte avant de partir.
- Utiliser ou stocker la machine en intérieur dans des conditions sèches. Il est interdit de l'utiliser en extérieur.
- La température de stockage et de travail doit être comprise entre 0 °C et +40 °C, l'humidité de l'air doit être comprise entre 30% et 95%.
- Ne pas utiliser la machine sur des pentes dont l'inclinaison dépasse les spécifications.
- Lors de l'utilisation et de la manipulation de détergents de nettoyage de sols, suivre les instructions des étiquettes des bouteilles de détergent et porter des gants et de protection appropriés.
- En cas de mauvais fonctionnements de la machine, veiller à ce qu'ils ne soient pas dus à un manque d'entretien. Si nécessaire, demander l'assistance du personnel autorisé ou d'un centre d'entretien agréé.

- Prendre toutes les précautions nécessaires pour empêcher les cheveux, les bijoux et les vêtements amples d'être retenus par des pièces en mouvement de la machine.
- Ne pas utiliser la machine dans des endroits particulièrement poussiéreux.
- Ne pas laver la machine avec des jets d'eau directs ou sous pression, ou avec des substances corrosives.
- Ne pas heurter d'étagères ou d'échafaudages, en particulier lorsqu'il y a un risque de chute d'objets.
- Ne pas poser de récipients contenant des liquides sur la machine, utiliser le porte-gobelet prévu à cet effet.
- En cas d'incendie, utiliser un extincteur à poudre. Ne pas utiliser les extincteurs liquides.
- Ne pas enlever ou modifier les autocollants de la machine.
- Faire attention pendant le transport de la machine, si la température est sous le point de congélation. L'eau, dans le réservoir de récupération et dans les tuyaux, pourrait geler et causer de sérieux dommages à la machine.
- Si les pièces détachées doivent être remplacées, commander les pièces détachées D'ORIGINE auprès d'un concessionnaire agréé.
- Retourner la machine au centre d'entretien, si elle ne fonctionne pas comme d'habitude ou si elle est endommagée.
- Pour assurer un fonctionnement adéquat et sécurisé de la machine, l'entretien prévu indiqué dans le chapitre correspondant de ce manuel doit être effectué par le personnel autorisé ou un concessionnaire ou revendeur agréé.
- Cette machine est un outil de nettoyage qui ne doit pas être utilisé à d'autres fins.
- Toujours garder les ouvertures exemptes de poussière, de poils et de tout autre corps étranger qui pourrait réduire le flux d'air. Ne pas utiliser la machine si les ouvertures sont bouchées.
- Utiliser la machine à condition de disposer d'un éclairage adapté.
- Cette machine n'est pas conçue pour être utilisée par des personnes (y compris des enfants) avec des facultés physiques, sensorielles ou mentales réduites, ou manquant d'expérience et de connaissances.
- Une attention particulière est nécessaire lorsqu'elle est utilisée à proximité d'enfants.
- Les enfants doivent être surveillés afin de s'assurer qu'ils ne jouent pas avec la machine.
- Tout en utilisant cette machine, prendre soin de ne pas causer de dommages aux personnes ou aux objets se trouvant aux alentours.
- Le nettoyage et l'entretien réservés à l'utilisateur ne doivent pas être confiés à des enfants sans surveillance.
- Les opérateurs doivent être formés correctement à l'utilisation de ces machines.
- Cet appareil comporte une connexion à la terre à des fins fonctionnelles uniquement
- Si le cordon d'alimentation est endommagé, il doit être remplacé par le fabricant, son agent d'entretien ou des personnes ayant les mêmes qualifications afin d'éviter tout risque.
- Retirer la fiche de la prise pendant le nettoyage ou l'entretien et lors du remplacement des pièces ou de la conversion de la machine à une autre fonction

DESCRIPTION DE LA MACHINE
STRUCTURE DE LA MACHINE

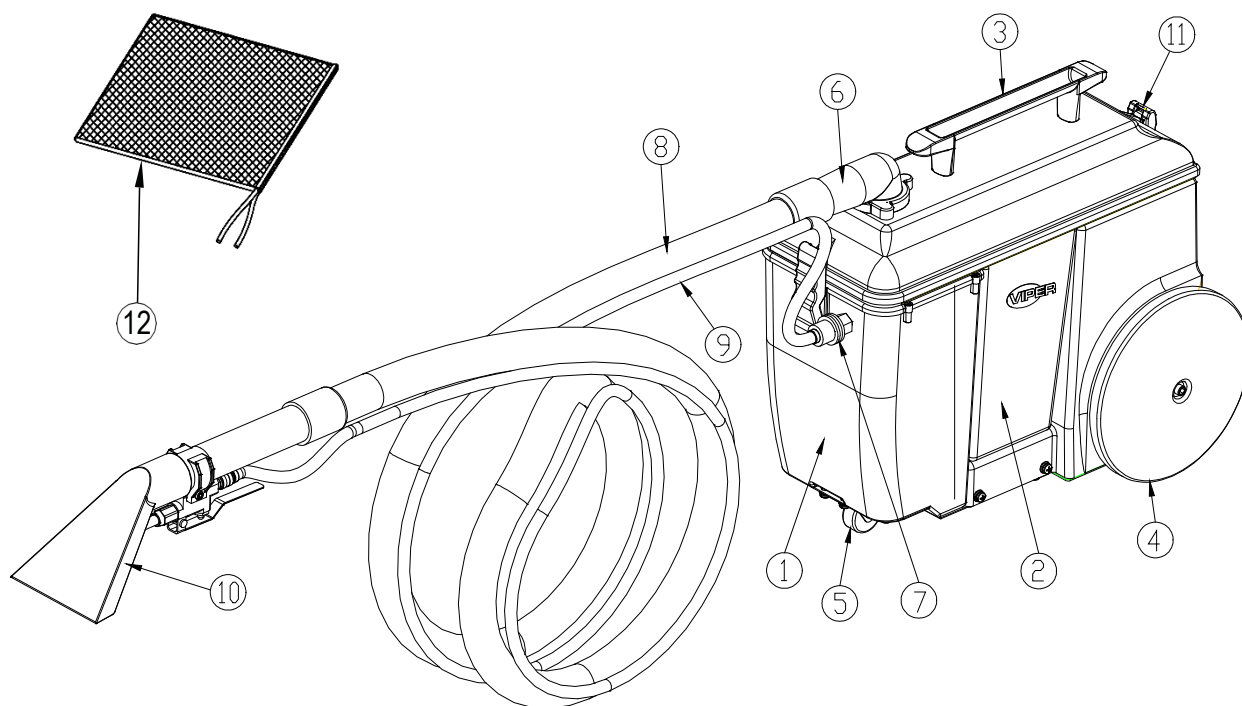
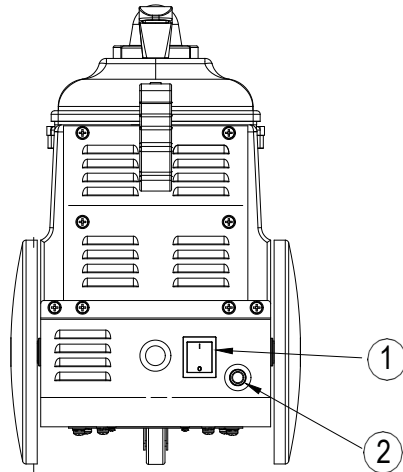
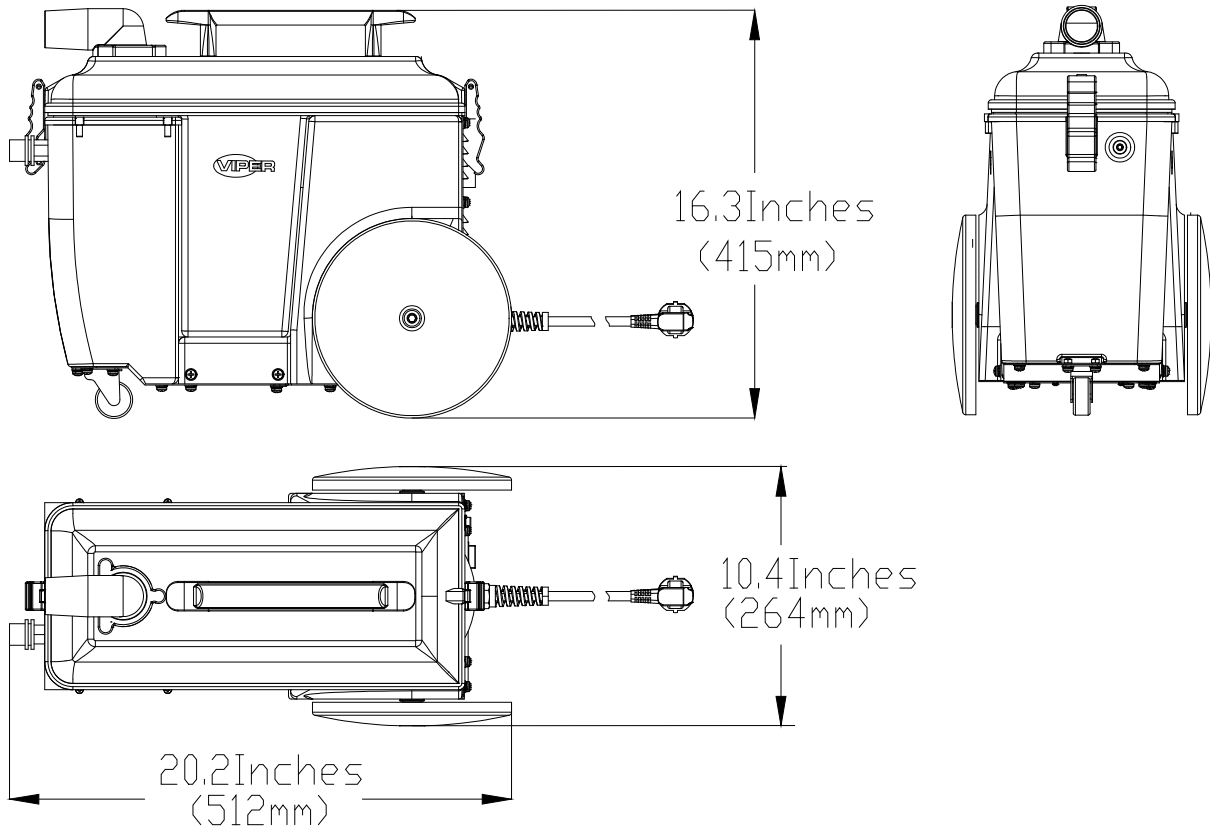


Figure 1

- | | |
|--|---------------------------------------|
| 13. Réservoir de solution | 19. Raccordement du tuyau de solution |
| 14. Réservoir de récupération | 20. Tuyau d'aspiration |
| 15. Poignée | 21. Tuyau de solution |
| 16. Roues de transport | 22. Outil manuel |
| 17. Roulette avant | 23. Pince |
| 18. Raccordement du tuyau d'aspiration | 24. Sac accessoire bleu |

Panneau de commande

3. Interrupteur électrique
4. Protecteur de surcharge

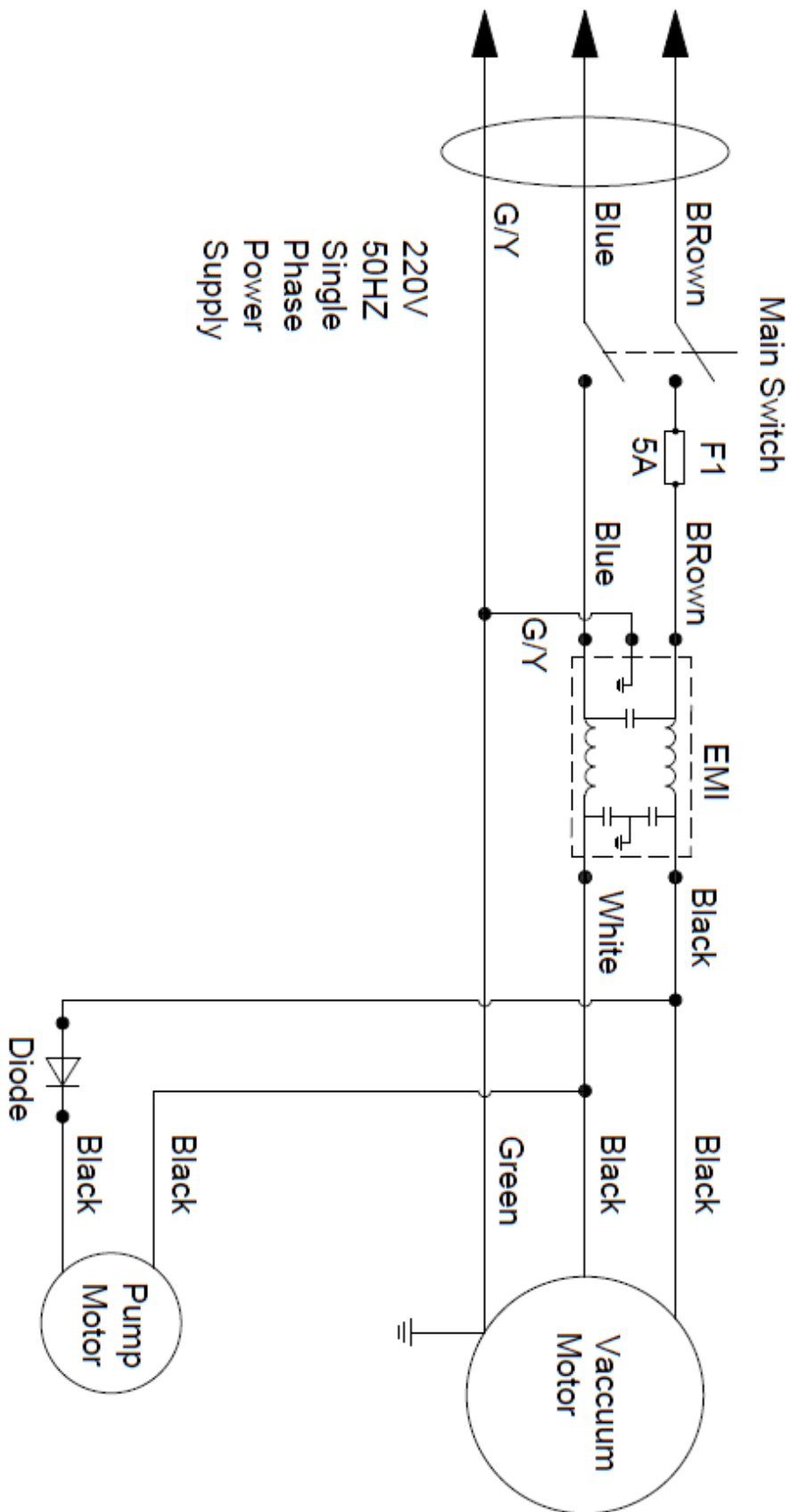
**DIMENSIONS DE LA MACHINE**

CARACTERISTIQUES TECHNIQUES

Modèles	EU	UK	TURKEY
Description de base	WOLF130		
Réf. N° Code stock	50000589	50000604	50000603
Tension	220-240V		
Moteur d'aspiration	1000W		
Ampérage	4.7A		
Poids	9.85kg		
Poids d'expédition	29.8 lbs. (13.5kg)		
Niveau de puissance acoustique	80 dB		
Niveau de pression acoustique	67 dB A		
Pression de la pompe de solution	30 PSI (2 bars)		
Élévation d'eau (vide max.)	85 pouces H2O (21.8kpa)		
Câble d'alimentation ft	10 m, Sécurité Orange		
Largeur de nettoyage Pouces	4 "(10.2 cm)		
Réservoir de solution et récupération Gallon	3.8L		
Tuyaux de solution et d'aspiration ft	3m		
Dimensions L x l x h	23.3 x 15.4 x 19.3in (59 x 39 x 49 cm)		

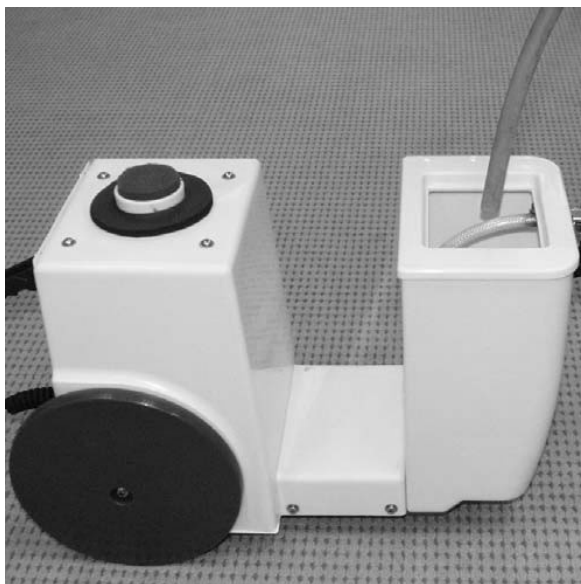
(*) : Options

SCHÉMA DE CÂBLAGE



GUIDE D'UTILISATION**Lire attentivement le manuel de l'opérateur avant d'utiliser ou d'entretenir cette machine**

- 4) À l'aide d'un tuyau ou d'un seau, remplir le réservoir avec 1 gallon maximum d'eau (la température de l'eau doit être inférieure à 50°C).



Ne pas utiliser de liquides inflammables ou de machine dans ou à proximité de liquides ou de vapeurs inflammables

- 5) Brancher le tuyau de solution et le tuyau d'aspiration à la machine.
6) Brancher le câble d'alimentation à une prise murale mise à la terre. (voir consignes de mise à la terre)

FONCTIONNEMENT DE LA MACHINE**AVANT D'ENLEVER LES TACHES**

- 3) Vérifier si le câble d'alimentation est endommagé. Remplacer le câble si des dommages sont constatés.
4) Aspirer le tapis pour enlever les débris avant d'enlever la tache.

ÉLIMINATION DES TACHES

- 5) Placer l'interrupteur en position « I ».
REMARQUE : La solution ne sera pulvérisée que lorsque l'on tirera la poignée de pulvérisation (sur l'outil manuel).
6) Pour commencer le nettoyage, tirer la poignée de pulvérisation (outil manuel) et commencer à tirer l'outil vers l'arrière à l'endroit voulu.
7) Relâcher la poignée de pulvérisation lorsque l'on a atteint la fin de la tache. Continuer à tirer l'outil manuel vers l'arrière pendant 4 pouces supplémentaires pour ramasser la solution en trop.



- 8) Continuer jusqu'à ce que la tache soit enlevée.

CONSEILS DE FONCTIONNEMENT

- 5) Utiliser uniquement de l'eau froide. L'eau chaude peut faire une tache.
- 6) Vérifier continuellement l'accumulation de mousse dans le réservoir de récupération. Utiliser une solution de contrôle de mousse recommandée par le distributeur.
REMARQUE : Une accumulation excessive de mousse endommagera le moteur d'aspiration.
- 7) Repasser sur le trajet d'extraction aux endroits fortement souillés.
- 8) Lorsque la récupération de la solution sale prend fin ou que le réservoir de solution est vide, vider le réservoir de récupération. (voir VIDANGE DE RÉSERVOIR)

VIDANGES DE RÉSERVOIR EN COURS

VIDANGE DU RÉSERVOIR DE SOLUTION

- 5) Éteindre la machine et la débrancher de la source d'alimentation.
- 6) Débrancher la solution et les tuyaux d'aspiration de l'avant de la machine.
- 7) Débrancher les étriers sur le réservoir de récupération et retirer le réservoir de récupération de la machine.
- 8) Transporter le réservoir de solution à un égout approuvé et vidanger le contenu.

VIDANGE DU RÉSERVOIR DE RÉCUPÉRATION

- 6) Éteindre la machine et la débrancher de la source d'alimentation.
- 7) Débrancher les étriers sur le réservoir de récupération et retirer le réservoir de récupération de la machine.
- 8) Transporter le réservoir de récupération à un égout approuvé et vidanger le contenu.



- 9) Rincer le réservoir de récupération avec de l'eau claire.
- 10) Remonter la machine.

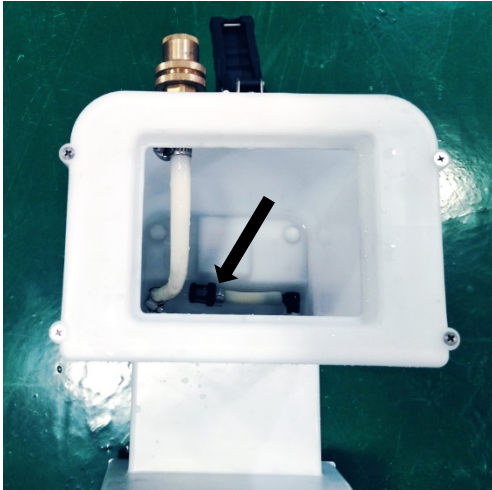
ENTRETIEN

Pour que la machine fonctionne bien pendant de nombreuses années, prière de suivre les procédures d'entretien suivantes.

!!! Vérifier toujours que la machine est débranchée avant d'effectuer un entretien ou une réparation quelconque !!!

ENTRETIEN QUOTIDIEN

- 10) Lorsque la journée de nettoyage est terminée, vidanger et rincer soigneusement le réservoir de récupération à l'eau claire.
- 11) Retirer la solution restante du réservoir de solution.
- 12) Retirer le filtre d'aspiration et le rincer à l'eau claire.
- 13) Remettre le filtre en place lorsqu'il est sec.



- 14) Enlever et inspecter le gicleur de pulvérisation. Au besoin, nettoyer le gicleur.

REMARQUE : Ne pas nettoyer le gicleur avec un objet pointu, pour ne pas l'endommager.

- 15) Vérifier le joint de brosse et retirer les débris ou les fibres de tapis.
- 16) Vérifier l'outil manuel de tête de ramassage et retirer les débris ou les fibres de tapis.
- 17) Nettoyer la machine avec un nettoyeur non abrasif.
- 18) Vérifier si le câble d'alimentation est endommagé. Le remplacer si nécessaire.

ENTRETIEN MENSUEL

- 1) Rincer la pompe et la tuyauterie avec une solution d'acide acétique pour dissoudre toute accumulation chimique.

Consignes de mélange :

- e) Prémélanger 8 oz d'une solution d'acide acétique avec 1 gallon d'eau et verser dans le réservoir de solution.

Allumer l'interrupteur d'aspiration / pompe.

- f) Placer la tête de l'outil de sol sur le siphon de sol et tirer sur la gâchette de solution pendant une (1) minute.
- g) Éteindre la machine et laisser le reste de la solution reposer dans la machine pendant la nuit.
- h) Le lendemain, vaporiser le reste de la solution et rincer à nouveau le système avec 1 gallon d'eau claire.

- 4) Vérifier si la machine présente des fuites d'eau.
- 5) Vérifier si les écrous, les vis et les boulons de la machine sont desserrés ou manquants et les remplacer.

ENTREPOSAGE DE LA MACHINE

- 3) Avant d'entreposer la machine, s'assurer que les réservoirs de solution et de récupération sont propres et vides de toute solution.
- 4) Ranger la machine en position verticale dans un endroit sec, après avoir retiré le tuyau d'aspiration pour la circulation d'air.

REMARQUE : Si l'on entrepose la machine dans un endroit susceptible de geler, vérifier que les deux réservoirs et la tuyauterie de solution sont vides de toute eau et sont secs !

DÉPANNAGE DE BASE

Problème	Causes probables	Solution
La machine ne fonctionne pas	Elle n'est pas branchée à la source d'alimentation	Brancher à une prise mise à la terre
	Câble d'alimentation défectueux	Contactez le distributeur.
	Rallonge de câble d'alimentation défectueuse	Remplacer par une nouvelle rallonge
	Le disjoncteur du bâtiment s'est déclenché	Réarmer le disjoncteur
La pompe de solution ne fonctionne pas	Interrupteur d'aspiration / de pompe pas allumé	Allumer l'interrupteur
	Interrupteur d'aspiration / de pompe défectueux	Contactez le distributeur.
	Solénoïde défectueux	Contactez le distributeur.
	Pompe de solution défectueuse	Contactez le distributeur.
	Pompe en surchauffe	Déterminer la cause et laisser refroidir la pompe pendant 30 minutes
	Câblage desserré ou cassé	Contactez le distributeur.
Le moteur d'aspiration ne fonctionne pas	Interrupteur d'aspiration / de pompe pas allumé	Allumer l'interrupteur
	Interrupteur d'aspiration / de pompe défectueux	Contactez le distributeur.
	Déclenchement par surcharge thermique du moteur d'aspiration	Vérifier l'obstruction et laisser refroidir pendant 30 minutes
	Moteur d'aspiration défectueux	Contactez le distributeur.
	Balais de carbone usés	Contactez le distributeur.
	Câblage desserré ou cassé	Contactez le distributeur.
Piètre ramassage	Fuite d'air autour du joint de récupération	S'assurer que le couvercle de récupération est fermement serré
	Joint d'aspiration endommagé ou usé	Remplacer le joint
	Raccords du tuyau d'aspiration lâches	Vérifier que les raccords des tuyaux d'aspiration sont bien serrés
	Tuyau d'aspiration défectueux	Remplacer le tuyau d'aspiration
	Remplacer les manchons du tuyau d'aspiration	Vérifier que les manchons sont fixés au boîtier
	Tuyau d'aspiration bouché	Éliminer le bouchon du tuyau d'aspiration
Vaporisation de solution inégale ou inexistante	Le réservoir de solution est vide ou le niveau est bas.	Remplir le réservoir de solution
	Interrupteur d'aspiration / de pompe pas allumé	Allumer l'interrupteur
	Embouts de pulvérisation sales ou bouchés	Nettoyer ou remplacer les embouts de pulvérisation
	Taille de l'embout de pulvérisation ou angle de pulvérisation incorrect	Contactez le distributeur.
	Embouts de pulvérisation usés	Contactez le distributeur.
	Pompe de solution défectueuse	Contactez le distributeur.
	Filtre du réservoir de solution bouché	Nettoyer ou remplacer le filtre
	Tuyau de solution pincé ou tordu	Vérifier les obstructions et les plis, rediriger ou remplacer si nécessaire

DÉPANNAGE**MISE AU REBUT**

Mettre la machine au rebut selon le centre de traitement des déchets agréé.

Avant que la machine ne soit mise au rebut, veuillez à respecter la réglementation en vigueur pour les différents éléments qui la constituent.

- Brosse/support disque
- Tuyau et pièces en plastique
- Composants électriques et électroniques (*)

(*) Veuillez contacter notre centre d'entretien en cas de destruction de tout composant électrique et électronique.

Composition matérielle de la machine et possibilité de recyclage

Type	% recyclable	WOLF130 % de poids
Moteurs électriques-divers	20%	22%
Matériaux en fer	80%	20%
Faisceau de câbles	80%	1%
Liquides	100%	0%
Plastique - matière non recyclable	0%	1%
Plastique - matière recyclable	100%	45%
Caoutchouc	20%	1%

UVOD**NAPOMENA**

Brojevi u zagradama odnose se na komponente, prikazane u poglavlju Opis stroja.

SVRHA I SADRŽAJ PRIRUČNIKA

Svrha ovih uputa za uporabu je pružiti rukovatelju sve osnovne informacije o tehničkim karakteristikama, načinu rada, nekorisćenju stroja, rezervnim dijelovima i sigurnosnim uvjetima, itd.

Prije izvođenja bilo kakvih postupaka strojem rukovatelji i kvalificirani tehničari moraju pročitati priručnik s Uputama za uporabu.

Obratite se našem poduzeću u slučaju dvojbi koje se tiču tumačenja uputa ili za bilo kakve dodatne informacije.

KAKO ČUVATI OVE UPUTE ZA UPORABU

Upute za uporabu moraju se čuvati u blizini stroja, unutar odgovarajuće kutije, daleko od tekućina i drugih tvari koje bi ih mogle oštetiti.

IZJAVA O SUKLADNOSTI

Izjava o sukladnosti isporučuje se sa strojem i potvrđuje sukladnost stroja sa zakonima koji su na snazi.

**NAPOMENA**

Kopije originalne Izjave o sukladnosti isporučuju se zajedno s dokumentacijom o stroju.

PRIBOR I ODRŽAVANJE

Sve potrebne postupke, održavanje i popravak mora obaviti kvalificirano osoblje, servisni centar kojeg imenuje naše poduzeće. Smiju se koristiti SAMO originalni ili odobreni rezervni dijelovi i pribor.

Obratite se korisničkoj službi našeg poduzeća za sve servisne usluge ili kupnju pribora ili rezervnih dijelova, po potrebi.

IZMJENE I POBOLJŠANJA

Predani smo stalnom poboljšanju naših proizvoda. Poduzeće pridržava pravo na izmjene i poboljšanja stroja bez dodatnih informacija.

SVRHA UPORABE

Ovaj je stroj namijenjen za komercijalnu uporabu. Izrađen je za uporabu u zatvorenom okruženju i nije namijenjen za bilo koju drugu uporabu. Koristite samo preporučeni pribor.

IDENTIFIKACIJSKI PODACI O STROJU

Serijski broj stroja i naziv modela navedeni su na naljepnici serije.

Ova informacija je korisna. Koristite sljedeću tablicu da zapišete identifikacijske podatke o stroju kada tražite rezervne dijelove za stroj.

MODEL STROJA.....
SERIJSKI BROJ STROJA

TRANSPORT I SKIDANJE AMBALAŽE

Pažljivo provjerite ima li znakova oštećenja na kutiji. Bilo kakvu štetu na kartonu odmah prijavite nosaču.

Provjerite sadržaj kartona kako biste bili sigurni da je karton kompletan. Ako nešto nedostaje, obratite se distributeru.

Sadržaj:

- Stroj za mrlje na tepisima
- Crijeva za vakuum i otopinu
- Ručni alat

SIGURNOST

Sljedeći simboli ukazuju na potencijalno opasne situacije. Uvijek pažljivo pročitajte ove informacije i poduzmite sve mjere predostrožnosti radi zaštite ljudi i imovine.

VIDLJIVI SIMBOLI NA STROJU**UPOZORENJE!**

Pažljivo pročitajte sve upute prije izvođenja bilo kakvih postupaka strojem.

**UPOZORENJE!**

Ne perite stroj direktnim mlazom vode ili mlazom vode pod tlakom.

SIMBOLI KOJI SE POJAVLJUJU NA UPUTAMA ZA UPORABU**OPASNOST!**

Ukazuje na opasnu situaciju s rizikom od smrti po rukovatelja.

**UPOZORENJE!**

Ukazuje na potencijalni rizik od ozljeda za ljude.

**OPREZ!**

Ukazuje na potreban oprez ili napomenu u vezi važnih ili korisnih funkcija. Obratite pozornost na odlomke, označene ovim simbolom.

**NAPOMENA**

Ukazuje na napomenu u vezi važnih ili korisnih funkcija.

**KONZULTIRANJE**

Ukazuje na nužnost konzultiranja priručnika s Uputama za uporabu prije obavljanja bilo kakvog postupka.

OPĆE SIGURNOSNE UPUTE

Općenito - ovaj stroj za mrlje na tepisima mora biti uzemljen dok se koristi kako bi zaštitio rukovatelja od strujnog udara. Stroj je opremljen trokontaktnim uzemljenim utikačem koji odgovara utičnici s odgovarajućim tipom uzemljenja. Zeleni (ili zeleno-žuti) vodič u kabelu je žica za uzemljenje. Ovu žicu nikad ne spajajte na drugu žicu osim zakačke za uzemljenje utikača za pričvršćivanje.

Ovaj je stroj namijenjen za uporabu u nazivnom strujnom krugu od 220-240 volti i ima utikač za uzemljenje koji slični utikaču prikazanom na donjoj slici. Provjerite je li stroj spojen na utičnicu iste konfiguracije kao i utikač. S ovim strojem ne smije se koristiti adapter.

Specifična upozorenja i mjere opreza kojima se informira o potencijalnim rizicima za ljude i stroj prikazani su u nastavku.

**OPASNOST!**

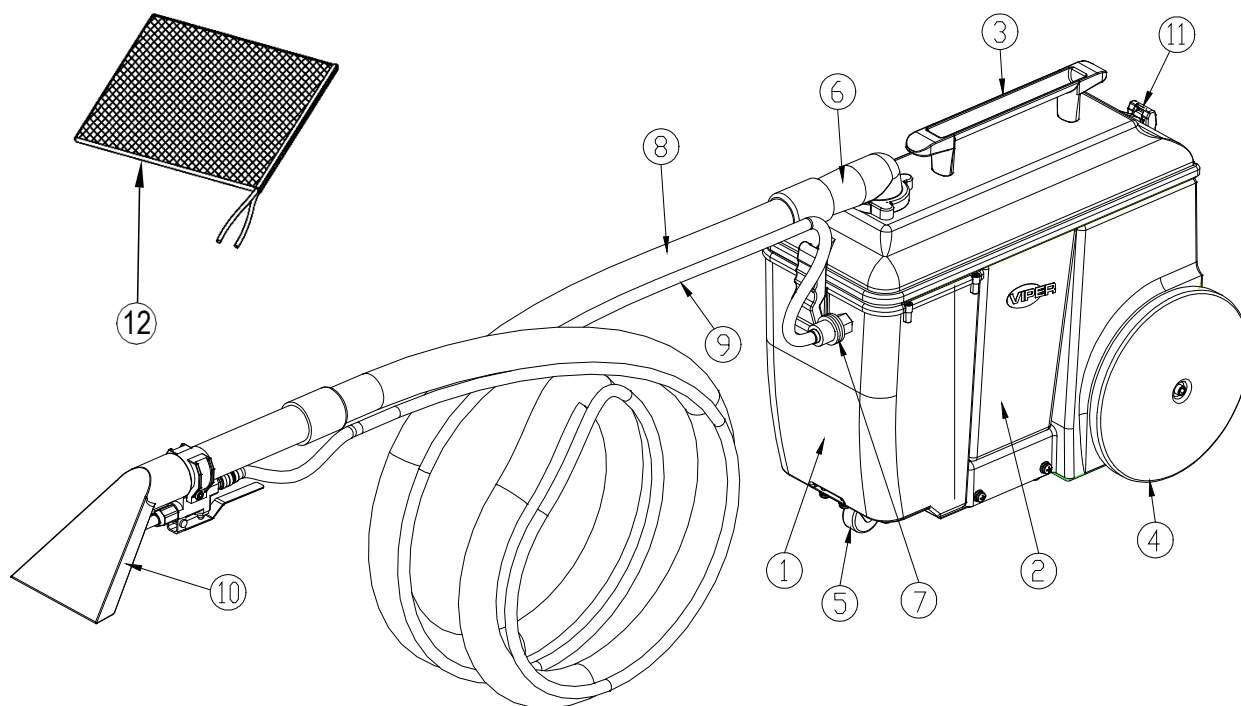
- Ovim strojem mora rukovati obučeno i ovlašteno osoblje u skladu sa smjernicama iz priručnika.
- Prije bilo kakvog postupka čišćenja, održavanja, popravka ili zamjene, pažljivo pročitajte sve upute, pobrinite se da ISKLJUČITE stroj.
- Nemojte rukovati mašinom u blizini otrovne, opasne, zapaljive i/ili eksplozivne prašine, tekućina ili pare. Ovaj stroj nije prikladan za prikupljanje opasnih prahova.
- Ne nosite nakit dok radite u blizini električnih komponenti.
- Ne radite ispod podignutog stroja ako ga ne pridržavaju sigurnosni držači.

**UPOZORENJE!**

- Ovaj je stroj predviđen za KOMERCIJALNU UPORABU, npr. u hotelima, školama, bolnicama, tvornicama, trgovinama, uredima i na području poslova iznajmljivanja.
- Strojevi bez nadzora moraju se osigurati od nehotičnog pokretanja.
- Kako bi se spriječila neovlaštena uporaba stroja, izvor napajanja mora biti isključen ili zaključan.
- Pažljivo pregledajte stroj prije svake uporabe. Provjerite jesu li sve komponente dobro montirane prije uporabe. Labave komponente mogu prouzročiti ozljede i materijalnu štetu.
- Nikada ne pomičite stroj povlačeći ga za kabel. Ne provlačite kabel kroz zatvorena vrata niti ga omotavajte oko oštih bridova ili uglova. Ne prelazite strojem preko kabela. Kabel držite podalje od zagrijanih površina.
- Kako biste smanjili rizik od požara, strujnog udara ili ozljede, uvjerite se da je stroj isključen prije nego se udaljite.
- Koristite ili skladištite stroj unutra, na suhom mjestu, nije dopušteno koristiti ga na otvorenom.
- Temperatura skladištenja i radna temperatura stroja mora biti između 0 °C i +40 °C, vlažnost zraka mora biti između 30 % - 95 %.
- Ne koristite stroj na kosinama čiji je nagib veći od nagiba, prikazanog u specifikacijama stroja.
- Kada koristite i rukujete deterdžentima za čišćenje podova, slijedite upute s naljepnica na bočicama s deterdžentom i nosite odgovarajuće rukavice te ostalu zaštitnu opremu.
- U slučaju smetnji u radu stroja, provjerite nije li njihov uzrok nedostatan održavanje. Ako je potrebno, obratite se za pomoć ovlaštenom osoblju ili ovlaštenom servisnom centru.

- Poduzmite sve potrebne mjere predostrožnosti kako pokretni dijelovi stroja ne bi zahvatili kosu, nakit i labavu odjeću.
- Ne koristite stroj u jako prašnjavao okolini.
- Ne perite stroj direktnim mlazom vode ili mlazom vode pod tlakom ili korozivnim tvarima.
- Ne sudarajte se s policama ili skelama, naročito tamo gdje postoji opasnost od pada predmeta.
- Ne naslanjajte spremnike s tekućinom na stroj, koristite odgovarajući držače bočica.
- U slučaju požara koristite vatrogasni aparat sa suhim prahom. Ne koristite vatrogasne aparate s tekućinom.
- Nemojte skidati ili mijenjati naljepnice na stroju.
- Budite pažljivi tijekom transporta stroja kada je temperatura ispod točke smrzavanja. Voda u spremniku prljave vode i u crijevima mogla bi se smrznuti i prouzročiti ozbiljno oštećenje stroja.
- Ako je potrebno zamijeniti rezervne dijelove, naručite ORIGINALNE rezervne dijelove od ovlaštenih distributera ili trgovaca na malo.
- Vratite stroj u servisni centar ako ne radi kao i obično ili ako je oštećen.
- Kako bi se zajamčio pravilan i siguran rad stroja, ovlašteno osoblje ili ovlašteni distributeri ili trgovci na malo moraju obaviti planirano održavanje, navedeno u odgovarajućem poglavlju ovog priručnika.
- Ovaj stroj je namijenjen za čišćenje i ne može se koristiti niti u bilo koju drugu svrhu.
- Otvori uvijek moraju biti čisti odn. bez prašine, kose ili drugih stranih materijala koji bi mogli smanjiti protok zraka. Ne koristite stroj ako su otvori začepljeni.
- Koristite stroj samo na mjestima s dobrom rasvjetom.
- Nije predviđeno da ovaj stroj koriste osobe (uključujući djecu) sa smanjenim tjelesnim, senzornim ili mentalnim sposobnostima, ili s nedostatnim iskustvom i znanjem.
- Budite naročito pažljivi ako se stroj koristi u blizini djece.
- Djeca moraju biti pod nadzorom kako bi se zajamčilo da se neće igrati strojem.
- Dok koristite ovaj stroj, pazite da ne ozlijedite ljude i ne oštetite predmete.
- Djeca bez nadzora ne smiju čistiti stroj niti vršiti korisničko održavanje.
- Rukovatelji moraju biti prikladno upućeni u korištenje ovih strojeva.
- Ovaj uređaj uključuje uzemljenje samo za funkcionalne svrhe
- Ako je kabel za napajanje oštećen, mora ga zamijeniti proizvođač, njegov servisni zastupnik ili osobe sličnih kvalifikacija kako bi se izbjegla opasnost.
- Uklanjanje utikača iz utičnice tijekom čišćenja ili održavanja te prilikom zamjene dijelova ili prebacivanja stroja na drugu funkciju

OPIS STROJA
STRUKTURA STROJA

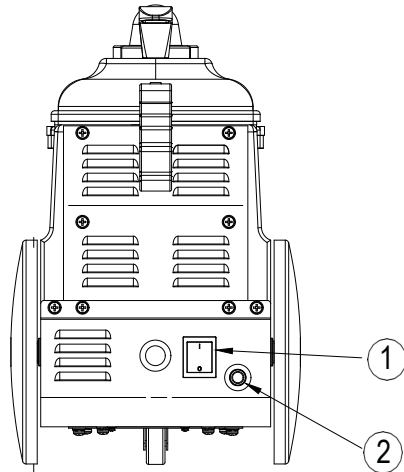


Slika 1

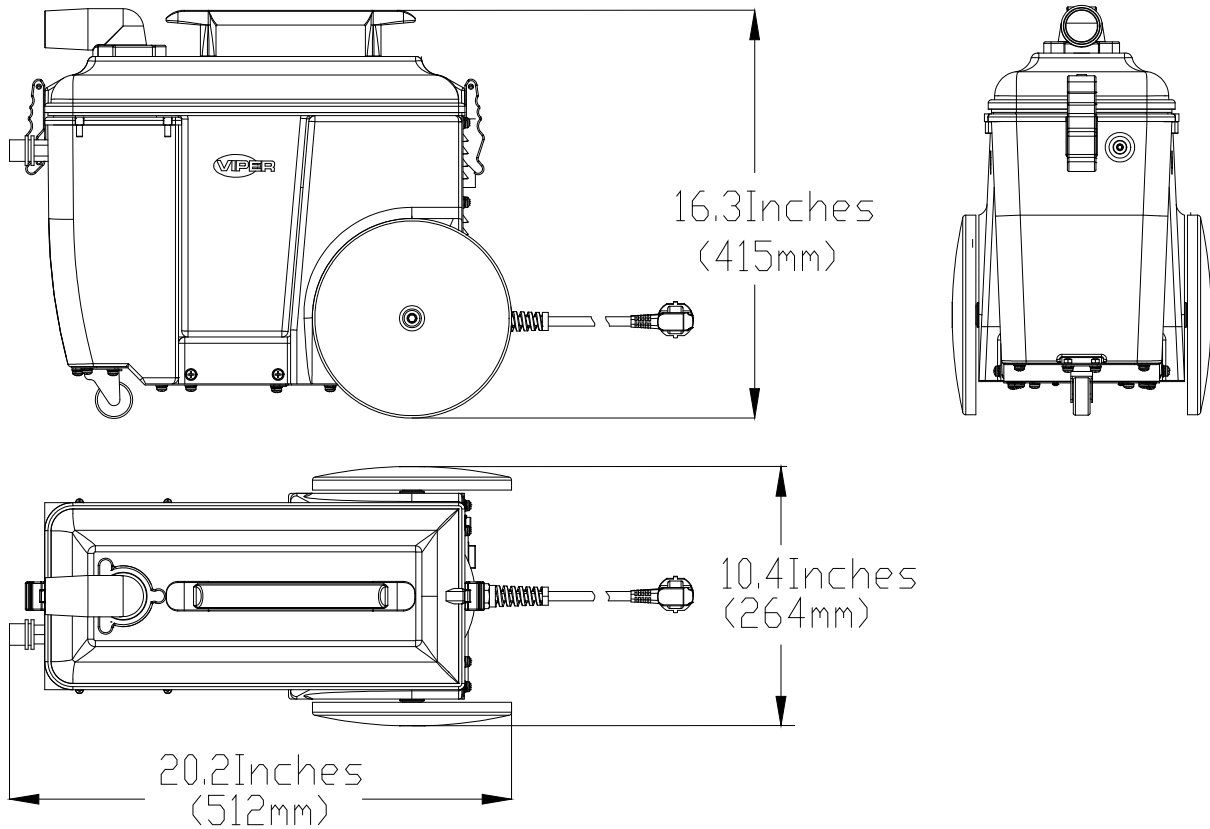
- | | |
|---------------------------------|----------------------------------|
| 1. Spremnik za otopinu | 7. Priključak crijeva za otopinu |
| 2. Spremnik za sakupljanje | 8. Vakuumsko crijevo |
| 3. Ručka | 9. Crijevo za otopinu |
| 4. Transportni kotači | 10. Ručni alat |
| 5. Prednji kotačić | 11. Stezaljka |
| 6. Priključak vakuumnog crijeva | 12. Plava torba za pribor |

UPRAVLJAČKA PLOČA

1. Sklopka za napajanje energijom
2. Zaštita od preopterećenja



DIMENZIJE STROJA

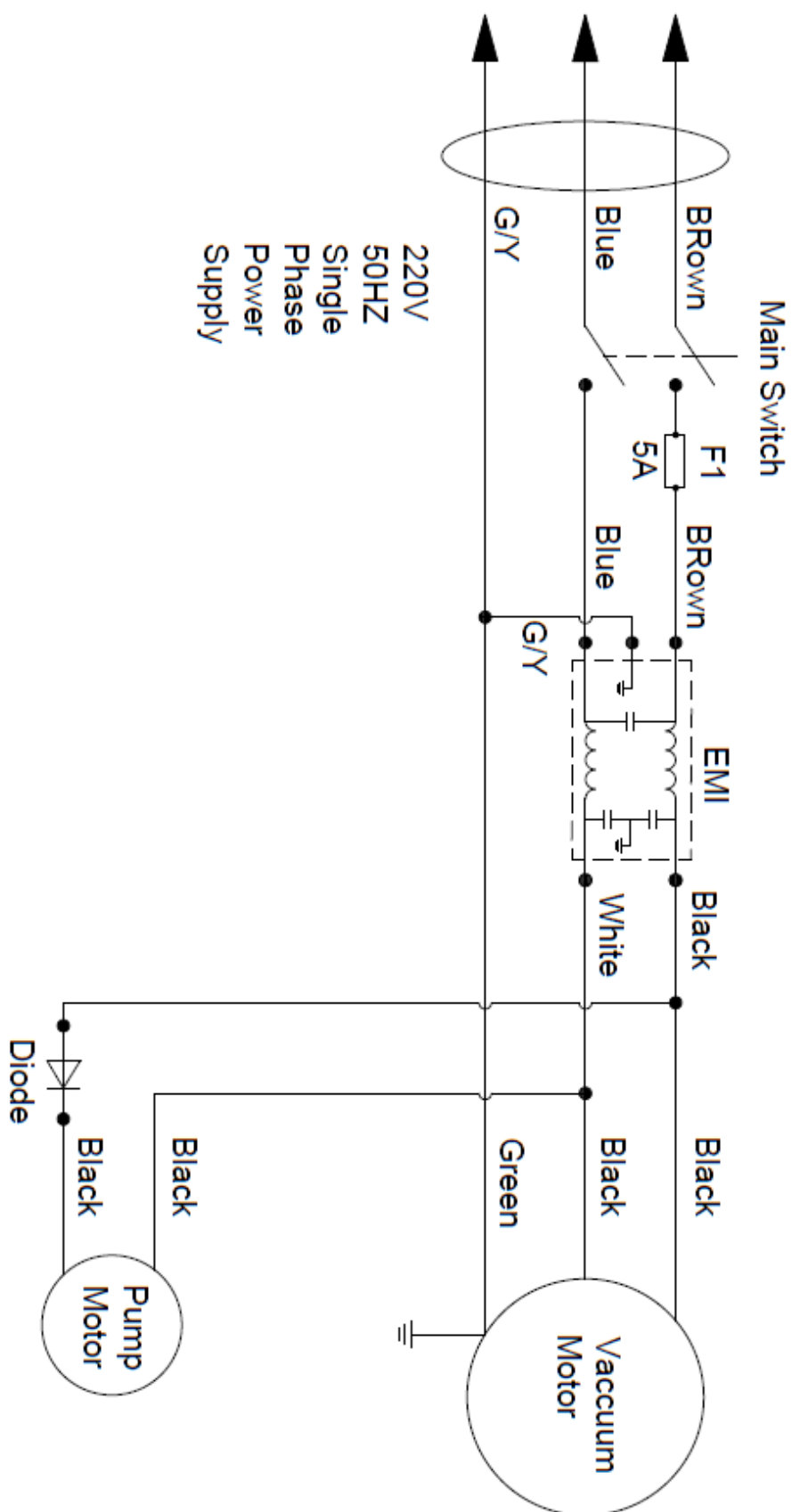


TEHNIČKI PARAMETRI

Modeli	EU	UK	TURKEY
Glavni opis	WOLF130		
Ref. br. Šifra na skladištu	50000589	50000604	50000603
Napon	220-240V		
Vakuumski motor	1000W		
Mjera potrošnje motora	4.7ampera		
Težina	9.85kg		
Težina za dostavu	29.8 lbs. (13.5 kg)		
Razina zvučne snage	80 dB		
Razina zvučnog pritiska	67 dB A		
Tlak pumpe za otopinu	30 PSI (2 bara)		
Podizanje vode (maks. vakuum)	85 inča H ₂ O (21.8kpa)		
Kabel za napajanje ft	10 m, sigurnosno narančasta		
Putanja čišćenja, inč	4 "(10.2 cm)		
Galon sa spremnikom za otopinu i sakupljanje	3.8L		
Otopina i vakuumska crijeva ft	3m		
Dimenzija D x Š x V	23.3 x 15.4 x 19.3inča(59 x 39 x 49 cm)		

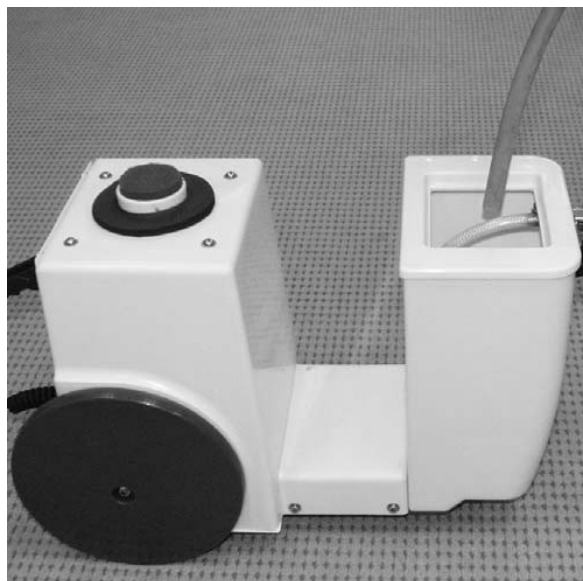
(*) : opcija

DIJAGRAM OŽIČENJA



PRIRUČNIK ZA RAD**Prije rukovanja ili servisiranja ovog stroja temeljito pročitajte priručnik za rukovatelje**

- 1) Pomoću crijeva ili kante napunite spremnik s najviše 1 galon vode (temperatura vode je manja od 50 °C).



Nemojte koristiti zapaljive tekućine niti puštati stroj u rad u zapaljivim tekućinama ili parama ili u njihovoj blizini

- 2) Spojite crijevo za otopinu i vakuumsko crijevo na stroj.
- 3) Spojite kabel za napajanje u uzemljenu zidnu utičnicu. (vidi upute za uzemljenje)

RAD STROJA**PRIJE UKLANJANJA MRLJA**

- 1) Pregledajte kabel za napajanja radi oštećenja. Zamijenite kabel ako pronađete oštećenje.
- 2) Prije odstranjivanja mrlje usišite tepih kako biste uklonili krhotine.

UKLANJANJE MRLJA

- 1) Prekidač za uključivanje postavite u položaj "I".
NAPOMENA: Otopina će se raspršiti samo kada se povuče ručka za prskanje (na ručnom alatu).
- 2) Da biste započeli čišćenje, povucite ručku za prskanje (ručni alat) i počnite povlačiti alat unazad preko mrlje.
- 3) Otpustite ručku za prskanje kada dođete do kraja mjesta. Nastavite povlačiti ručni alat natrag još 4 inča kako biste pokupili višak otopine.



- 4) Nastavite dok se mrlja ne odstrani.

SAVJETI PRI RADU

- 1) Koristite samo hladnu vodu. Vruća voda može stvoriti mrlju.
- 2) Stalno provjeravajte ima li nakupina pjene u spremniku za sakupljanje. Koristite otopinu za kontrolu pjene koju preporučuje distributer.
NAPOMENA: Prekomjerno nakupljanje pjene uzrokovat će oštećenje na vakuumskom motoru.
- 3) Ponovite putanju ekstrakcije na jako zaprljanim područjima.
- 4) Kada završi sakupljanje prljave otopine ili je spremnik za otopinu prazan, morate isprazniti spremnik za sakupljanje. (vidi PRAŽNENJE SPREMNIKA)

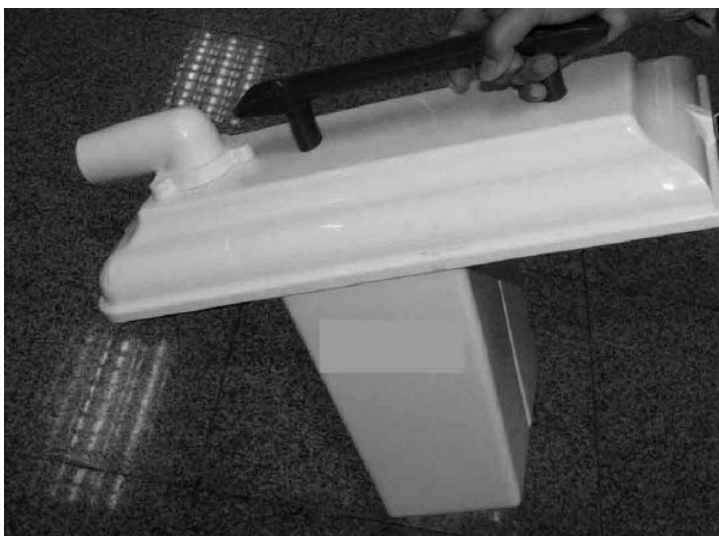
SPREMNICI ZA PRAŽNENJE

SPREMNIK ZA OTOPINU ZA PRAŽNENJE

- 1) Isključite stroj i iskopčajte ga s izvora napajanja.
- 2) Odvojite crijeva za otopinu i vakuumsko crijeva s prednje strane stroja.
- 3) Otkočite stezaljke na spremniku za sakupljanje i odvojite spremnik za sakupljanje od stroja.
- 4) Odnosite spremnik za otopinu u odobreni odvod i izbacite sadržaj.

SPREMNIK ZA SAKUPLJANJE PRAŽNENJA

- 1) Isključite stroj i iskopčajte ga s izvora napajanja.
- 2) Otkočite stezaljke na spremniku za sakupljanje i odvojite spremnik za sakupljanje od stroja.
- 3) Odnosite spremnik za sakupljanje u odobreni odvod i izbacite sadržaj.



- 4) Isperite spremnik za sakupljanje čistom vodom.
- 5) Opet sastavite stroj.

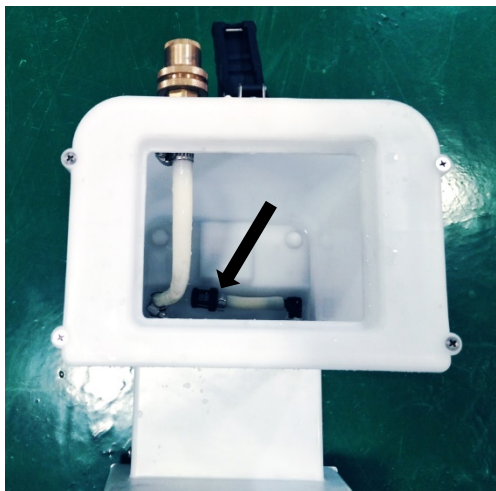
ODRŽAVANJE

Kako bi stroj dugo godina radio dobro, pridržavajte se sljedećih postupaka održavanja.

!!! Uvijek se pobrinite da stroj bude isključen iz struje prije bilo kakvog održavanja ili popravka!!!

SVAKODNEVNO ODRŽAVANJE

- 1) Kada je čišćenje za određeni dan završeno, ispraznite i temeljito isperite spremnik za sakupljanje čistom vodom.
- 2) Uklonite preostalu otopinu iz spremnika za otopinu.
- 3) Uklonite vakuumski filtar i isperite čistom vodom.
- 4) Vratite filtar kad je suh.



- 5) Uklonite i pregledajte mlaz raspršivača. Ako je potrebno, očistite mlaznicu.

NAPOMENA: Nemojte čistiti mlaznicu šiljastim predmetom jer će oštetiti mlaznice.

- 6) Provjerite traku četke i odstranite sve krhotine ili vlakna tepiha.
- 7) Provjerite ručni alat za podizanje i uklonite sve krhotine ili vlakna tepiha.
- 8) Očistite stroj neabrazivnim sredstvom za čišćenje.
- 9) Pregledajte kabel za napajanje radi bilo kakvih oštećenja. Zamijenite ako je potrebno.

MJESEČNO ODRŽAVANJE

- 1) Isperite pumpu i cijevi otopinom octene kiseline da biste rastvorili nakupljene kemikalije.
Upute za miješanje:
 - a. Prethodno umiješajte 8 oz. otopine octene kiseline s 1 galonom vode i ulijte u spremnik za otopinu. Okrenite prekidač vakuuma/pumpe u položaj za uključeno.
 - b. Postavite glavu podnog alata preko odvoda poda i povucite okidač otopine na jednu (1) minutu.
 - c. Isključite stroj i pustite da preostala otopina ostane u stroju tijekom noći.
 - d. Sljedeći dan raspršite preostalu otopinu i sustav ponovno isprati s 1 galonom čiste vode.
- 2) Pregledajte stroj radi curenja vode.
- 3) Provjerite jesu li u stroju labave ili da li nedostaju navrtke, vijci i zavrtnji i zamijenite ih po potrebi.

SKLADIŠTENJE STROJA

- 1) Prije skladištenja stroja, osigurajte da su spremnici za otopinu i sakupljanje čisti i prazni od bilo kakve otopine.
- 2) Skladištite stroj u uspravnom položaju na suhom mjestu, s uklonjenim vakuumskim crijevom za cirkulaciju zraka.

NAPOMENA: Ako stroj čuvate na mjestu na kojem se može zamrznuti, budite sigurni da su i spremnici i cijevi s otopinom potpuno prazni i suhi!

OSNOVNO RJEŠAVANJE PROBLEMA

Smetnja	Mogući uzroci	Pomoć
Stroj ne radi	Nije priključen na izvor napajanja	Uključite u uzemljenu utičnicu
	Neispravan kabel za napajanje	Kontaktirajte distributera
	Neispravan produžni kabel za napajanje	Zamijenite novim produžnim kabelom za napajanje
	Automatska sklopka u zgradi se aktivirala	Resetirajte automatsku sklopku
Pumpa za otopinu ne radi	Prekidač vakuuma/pumpe nije uključen	Uključite prekidač
	Neispravan prekidač vakuuma/pumpe	Kontaktirajte distributera
	Neispravan solenoid	Kontaktirajte distributera
	Neispravna pumpa za otopinu	Kontaktirajte distributera
	Pumpa pregrijana	Utvrđite uzrok i ostavite 30 minuta da se pumpa ohladi
	Olabavljena ili prekinuta ožičenja	Kontaktirajte distributera
Vakuumski motor ne radi	Prekidač vakuuma/pumpe nije uključen	Uključite prekidač
	Neispravan prekidač vakuuma/pumpe	Kontaktirajte distributera
	Aktivirano termičko preopterećenje vakuumskog motora	Provjerite postoji li prepreka i ostavite 30 minuta da se ohladi
	Neispravan vakuumski motor	Kontaktirajte distributera
	Istrošene karbonske četke	Kontaktirajte distributera
	Olabavljena ili prekinuta ožičenja	Kontaktirajte distributera
Loše prikupljanje	Zrak curi oko brtve za sakupljanje	Osigurajte da je poklopac čvrsto stegnut
	Vakuumska brtva oštećena ili istrošena	Zamijenite brtvu
	Labavi spojevi vakuumskog crijeva	Osigurajte da su spojevi vakuumskog crijeva dobro zategnuti
	Neispravno vakuumsko crijevo	Zamijenite vakuumsko crijevo
	Labave manžete vakuumskog crijeva	Osigurajte da su manžete čvrsto pričvršćene na kućište
	Začepljeno vakuumsko crijevo	Uklonite prepreku s vakuumskog crijeva
Neujednačeno raspršivanje ili uopće nema raspršivanja otopine	Spremnik za otopinu je prazan ili je nizak nivo napunjenosti	Napunite spremnik otopine
	Prekidač vakuuma/pumpe nije uključen	Uključite prekidač
	Prljavi ili začepljeni vrhovi za raspršivanje	Očistite ili zamijenite vrhove za raspršivanje
	Neppravilna veličina vrha raspršivača ili kut raspršivanja	Kontaktirajte distributera
	Istrošeni vrhovi za raspršivanje	Kontaktirajte distributera
	Neispravna pumpa za otopinu	Kontaktirajte distributera
	Začepljen filter spremnika za otopinu	Očistite ili zamijenite filter
	Stisnuto ili presavijeno crijevo za otopinu	Provjerite postoje li prepreke ili pregibi te prema potrebi preusmjerite ili zamijenite

UKLANJANJE SMETNJI**ZBRINJAVANJE**

Zbrinjavanje mora izvršiti ovlaštena ustanova za zbrinjavanje otpada.

Prije zbrinjavanja stroja izvadite i odvojite dolje navedene komponente za koje se prema važećim zakonima i propisima zahtijeva zbrinjavanje na prikladan način.

- Držač četke/diska
- Plastično crijevo i plastični dijelovi
- Električne i elektroničke komponente (*)

(*) Obratite se našem servisnom centru zbog uništavanja svih električnih i elektroničkih komponenti.

Sastav i mogućnost recikliranja materijala stroja

Vrsta	Postotak koji se može reciklirati	WOLF130 Postotak težine %
Razni električni motori	20%	22%
Materijali koji sadrže željezo	80%	20%
Oprema za ožičenje	80%	1%
Tekućine	100%	0%
Plastični materijali koji se ne mogu reciklirati	0%	1%
Plastični materijali koji se mogu reciklirati	100%	45%
Guma	20%	1%

BEVEZETÉS**MEGJEGYZÉS**

A zárójelben lévő számok a Gépleírás fejezetben feltüntetett komponenseket jelölik.

AZ ÚTMUTATÓ CÉLJA ÉS TARTALMA

Ennek a használati utasításnak az a célja, hogy biztosítsa a kezelő számára az összes alapvető információt és a műszaki jellemzőket, valamint hogy tájékoztatást nyújtson a működtetésre, a használaton kívüli gépre, az alkatrészekre, a biztonsági feltételekre stb. vonatkozóan. Bármilyen tevékenység elvégzése előtt a berendezésen a az üzemeltetőknél és minden szakképzett szakembernek el kell olvasnia a Használati útmutatót. Az utasítások értelmezését illetően vagy bármilyen további információ esetén lépjen kapcsolatba a vállalatunkkal.

A HASZNÁLATI ÚTMUTATÓ TÁROLÁSÁNAK MÓDJA

A használati útmutatót a berendezéshez közel, megfelelő tokban, folyadékoktól és más olyan anyagoktól távol kell tartani, melyek megrongálhatnak.

MEGFELELŐSÉGI NYILATKOZAT

A megfelelőségi nyilatkozat a gép tartozéka és igazolja a gép jog általi megfelelőségét.

**MEGJEGYZÉS**

Az eredeti megfelelőségi nyilatkozat másolatai a gép dokumentációval együtt található.

KIEGÉSZÍTŐK ÉS KARBANTARTÁS

Minden szükséges műveletet, karbantartási és javítási eljárást szakképzett szakembernek, a vállalatunk által kiválasztott javítóközpontnak kell elvégeznie. CSAK eredeti és jóváhagyott alkatrészek és tartozékok használhatók.

Keresse fel cégünk vevőszolgálatát bármilyen kiegészítő és pótalkatrész vásárlása, szervizelése kapcsán, amennyiben szükséges.

VÁLTOZTATÁS ÉS FEJLESZTÉS

Elköteleztük magunkat termékeink folyamatos fejlesztése mellett, és vállalatunk fenntartja a jogot arra, hogy a gépet további tájékoztatás nélkül módosítsa, illetve fejlessze.

ALKALMAZÁS HATÁLYA

Ez a gép kereskedelmi használatra készült. Beltéri használatra gyártották, és semmilyen más használatra nem alkalmas. Csak ajánlott tartozékokat használjon.

GÉP AZONOSÍTÁSI ADATOK

A gép sorozatszámát és modell nevét a sorozatcímkén vannak feltüntetve.

Ez hasznos információ. Használja az alábbi táblázatot és töltsse ki a gép azonosítási adatait amikor pótalkatrészeket rendel a géphez.

GÉPMODELL.....

GÉP SOROZATSZÁMA.....

SZÁLLÍTÁS ÉS KICSOMAGOLÁS

Gondosan ellenőrizze a szállítódobozt, hogy nincs-e sérülésre utaló jel. A doboz károsodását azonnal jelezze a futárnak.

Ellenőrizze, hogy a doboz tartalma hiánytalan-e. Ha valami hiányzik, forduljon a forgalmazóhoz.

Tartalom:

- Szőnyegfolt-eltávolító
- Vákuum- és oldattömlők
- Kézi eszköz

BIZTONSÁG

A következő szimbólumok jelölik a potenciálisan veszélyes helyzeteket. Mindig figyelmesen olvassa el ezt az információt és elővigyázatosan járjon el a személyi és tulajdon védelem érdekében.

LÁTHATÓ SZIMBÓLUMOK A GÉPEN



FIGYELMEZTETÉS!

Olvassa el a teljes útmutatót a gép bármiféle használata előtt.



FIGYELMEZTETÉS!

Ne mossa a gépet direct vagy nyomás alatti vízszugárral.

A HASZNÁLATI ÚTMUTATÓBAN SZEREPLŐ SZIMBÓLUMOK



VESZÉLY!

Halálosan veszélyes helyzetet jelöl a gépkezelő számára.



FIGYELMEZTETÉS!

Potenciális sérülés veszélyét jelöli a gépkezelő számára.



VIGYÁZAT!

Fontos vagy hasznos információkra hívja fel a figyelmet. Figyeljen az ezzel az ikonnal jelölt bekezdésekre.



MEGJEGYZÉS

Fontos vagy hasznos információkra hívja fel a figyelmet.



KONZULTÁCIÓ

Az útmutatóban leírt instrukciók pontos követésére hívja fel a figyelmet, mielőtt bármiféle eljárást végeznének a gépen.

ÁLTALÁNOS BIZTONSÁGI INSTRUKCIÓK

Általános – Ezt a szőnyegre használatos folteltávolító gépet használat közben földelni kell, hogy megvédje a kezelőt az áramütéstől. A gép egy háromérintkezős földelő csatlakozódugóval van ellátva, hogy illeszkedjen a megfelelő földeléstípushoz. A zöld (vagy zöld és sárga) vezeték a kábelben a földelő vezeték. Ezt a vezetéket soha ne csatlakoztassa máshoz, csak a rögzítődugó földelő csapjához.

Ez a gép egy névleges 220-240 volt teljesítményű áramkörön használható, és földelési dugóval rendelkezik, amely hasonlít az alábbi ábrán látható dugóra. Győződjön meg arról, hogy a készülék olyan aljzathoz van csatlakoztatva, amelynek konfigurációja megegyezik a dugóval. Ehhez a készülékhez nem szabad adaptert használni.

Előírások és figyelmeztetések potenciális emberi és gépi sérülésekről alább találhatóak.

**VESZÉLY!**

- A gépet kizárólag képzett és felhatalmazott személy kezelheti, a kézikönyv szabályai szerint.
- A tisztítási, karbantartási, javítási vagy csereeljárások elvégzése előtt figyelmesen olvassa el az összes utasítást, és győződjön meg arról, hogy a készülék KI legyen kapcsolva.
- Ne használja a gépet mérgező, veszélyes, gyúlékony és/vagy robbanékony porfélék, folyadékok vagy gőzök közelében. A készülék nem alkalmas veszélyes porfélék összegyűjtésére.
- Ne viseljen ékszereket, mikor elektromos alkatrészek közelében végez munkát.
- Ne dolgozzon a felemelt gép alatt, amennyiben az nincs biztonsági állványokkal megtámasztva.

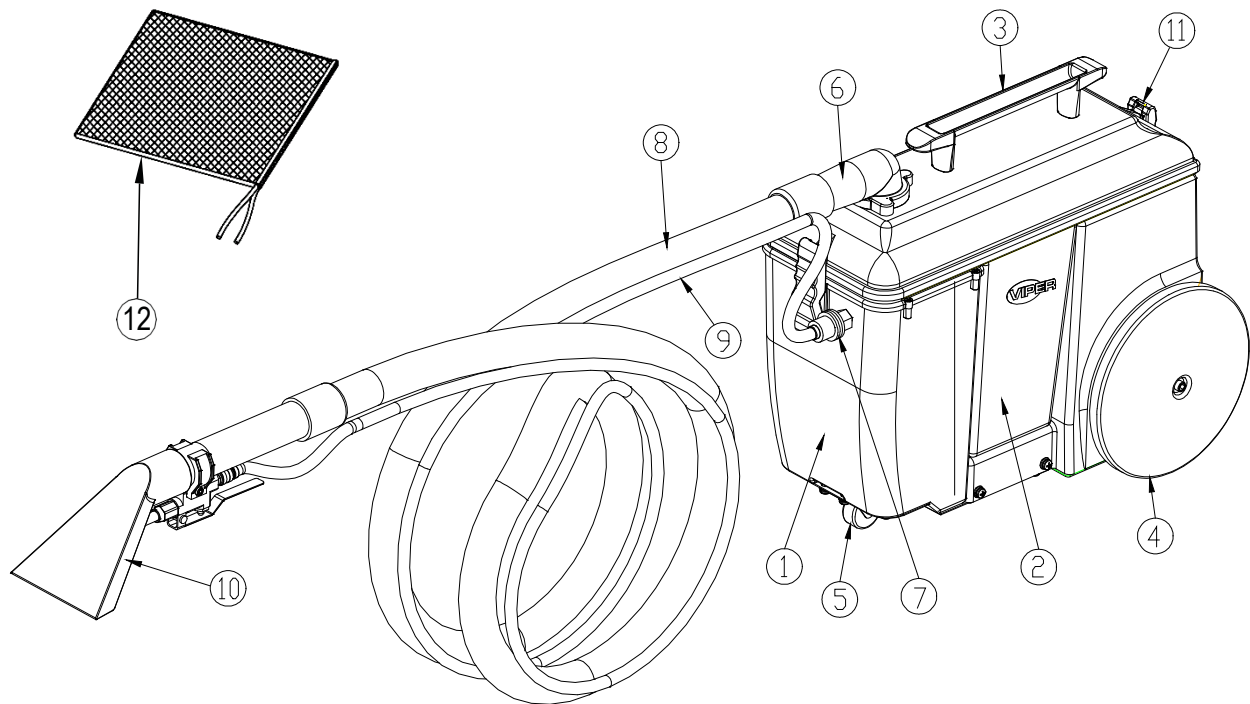
**FIGYELMEZTETÉS!**

- A gép például szállodákban, iskolákban, kórházakban, gyárakban, üzletekben, irodákban vagy lízingvállalkozásokban történő KERESKEDELMI HASZNÁLATRA nem alkalmas.
- Biztosítani kell, hogy a felügyelet nélkül hagyott gép ne végezhesen véletlen mozgásokat.
- A gép jogosulatlan használatának megakadályozása érdekében az áramforrást ki kell kapcsolni vagy le kell zárni.
- Minden használat előtt ellenőrizze a gépet figyelmesen. Biztosítsa, hogy az összes alkatrész megfelelően lett összeszerelve használat előtt. A kilazult komponensek személyi sérüléshez és anyagi kárhoz vezethetnek.
- Soha ne mozgassa a gépet a kábelnél fogva. Ne vezesse a kábelt zárt ajtón keresztül vagy éles szélek és sarkok mentén. Ne tolja át a gépet a kábelben. Tartsa az kábelt fűtött felületektől távol.
- Hogy csökkentse a tűz, áramütés vagy baleset esélyét, győződjön meg róla, hogy a gép ki van kapcsolva, mielőtt otthagyná.
- Használja és tárolja a gépet fedett helyen, nem engedett a kültéri használata.
- A gép tárolási és üzemi hőmérsékletének 0 °C és +40 °C között kell lennie, a levegő páratartalma 30% – 95% lehet.
- A gépet ne használja olyan lejtőn, amelynek dőlésszöge meghaladja a specifikációban megadott értéket.
- Padlótisztító mosószer használatakor, kövesse a mosószer csomagolásának címkéjén található utasításokat, valamint viseljen megfelelő kesztyűt és védőfelszerelést.
- A készülék meghibásodása esetén, győződjön meg róla, hogy az nem a karbantartás hiánya miatt következett be. Szükség esetén, kérjen segítséget a felhatalmazott személytől vagy felhatalmazott szerviz központtól.

- Tegyen meg mindent annak érdekében, hogy ne kerüljön haj, ékszerek vagy laza ruházat a gép mozgó alkatrészeihez.
- Ne használja a gépet rendkívül poros környezetben.
- Ne mossa a gépet direct vagy nyomás alatti vízszugárral, vagy maró anyagokkal.
- Ne ütközzön polcokkal vagy állványzatokkal, különösen, ahol leeső tárgyak veszélye áll fenn.
- Ne támasszon folyadék konténereket a gépnek, használja a megfelelő kannatartót.
- Tűz esetén, használjon száraz porral oltó készüléket. Ne használjon folyékony tűzoltó készüléket.
- Ne távolítsa el vagy módosítsa a gépen lévő címkéket.
- A gép szállításakor figyeljen rá, ha a hőmérséklet fagypontra esik. A víz a gyűjtőtartályban és csövekben megfagyhat és súlyos kárt okozhat a gépben.
- Alkatrészcsere esetén, rendeljen EREDETI alkatrészeket egy Hivatalos forgalmazói és Kiskereskedőtől.
- Vigye vissza a gépet a szervizközpontba, ha nem működik a szokásosnak megfelelően vagy ha sérült.
- A gép megfelelő és biztonságos működésének érdekében a kézikönyvben található menetrendszerű karbantartást egy arra felhatalmazott személy vagy hivatalos forgalmazó vagy kiskereskedő végezheti el.
- Ez a gép kizárólag takarítóeszköz, semmilyen más célra nem használható.
- A nyílásokat mindig tartsa portól, hajszállaktól és egyéb olyan idegen anyagoktól mentesen, amelyek csökkenthetik a légáramlást. Ne használja a gépet, ha a nyílások elzáródtak.
- A gépet kizárólag megfelelő világítás mellett használja.
- A gépet nem használhatják csökkent fizikai, érzékszervi vagy mentális képességekkel rendelkező, illetve olyan személyek, akik nem rendelkeznek a megfelelő tapasztalattal és ismeretekkel (beleértve a gyermekeket).
- Ha gyermekek közelében használják, akkor különös körültekintésre van szükség.
- A gyerekeket felügyelet alatt kell tartani, hogy biztosan ne játszanak a géppel.
- A gép használata közben vigyázzon, hogy ne tegyen kárt személyekben vagy tulajdonban.
- A gép tisztítását és karbantartását gyermekek nem végezhetik felügyelet nélkül.
- A gépek használatáról megfelelő oktatást kell kapniuk a kezelőknek.
- Ez a készülék tartalmaz egy földelő csatlakozót, csak funkcionális célra.
- Ha a tápkábel sérült, azt a gyártónak, a szerviznek vagy más képzett személyeknek kell kicserélnie a veszély elkerülése érdekében.
- Húzza ki a dugót a konnektorból a tisztítás vagy karbantartás előtt, valamint alkatrészek cseréjekor, illetve amikor a gépet más funkcióhoz alakítja át

GÉPLEÍRÁS

A GÉP FELÉPÍTÉSE

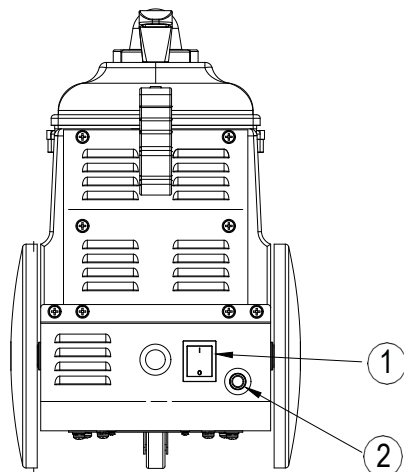


Ábra 1

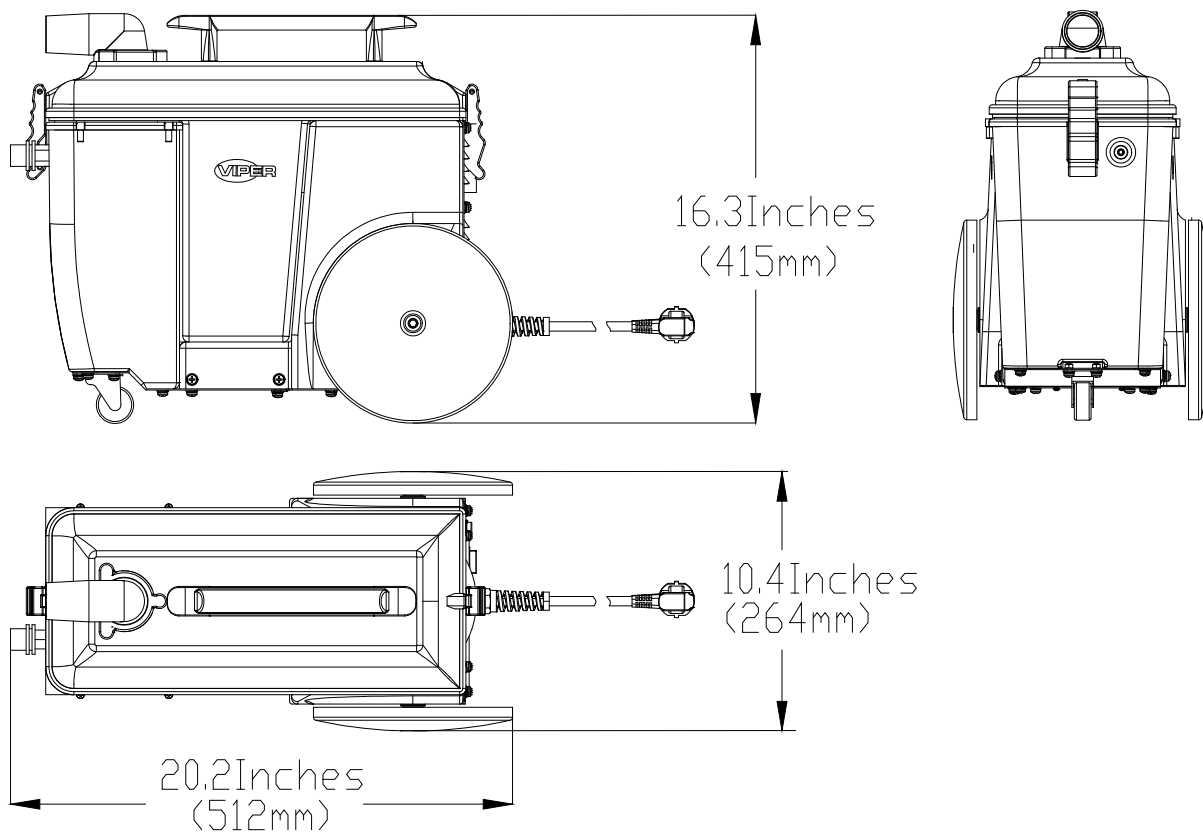
- | | |
|---------------------------|--------------------------------|
| 1. Oldattartály | 7. Oldattömlő csatlakozó |
| 2. Gyűjtőtartály | 8. Vákuumtömlő |
| 3. Markolat | 9. Oldattömlő |
| 4. Szállítókerekek | 10. Kézi eszköz |
| 5. Elülső görgő | 11. Bilincs |
| 6. Vákuumtömlő csatlakozó | 12. Kék táska a kiegészítőknek |

VEZÉRLŐPANEL

1. Tápkapcsoló
2. Túlterhelés-védő



A GÉP MÉRETE

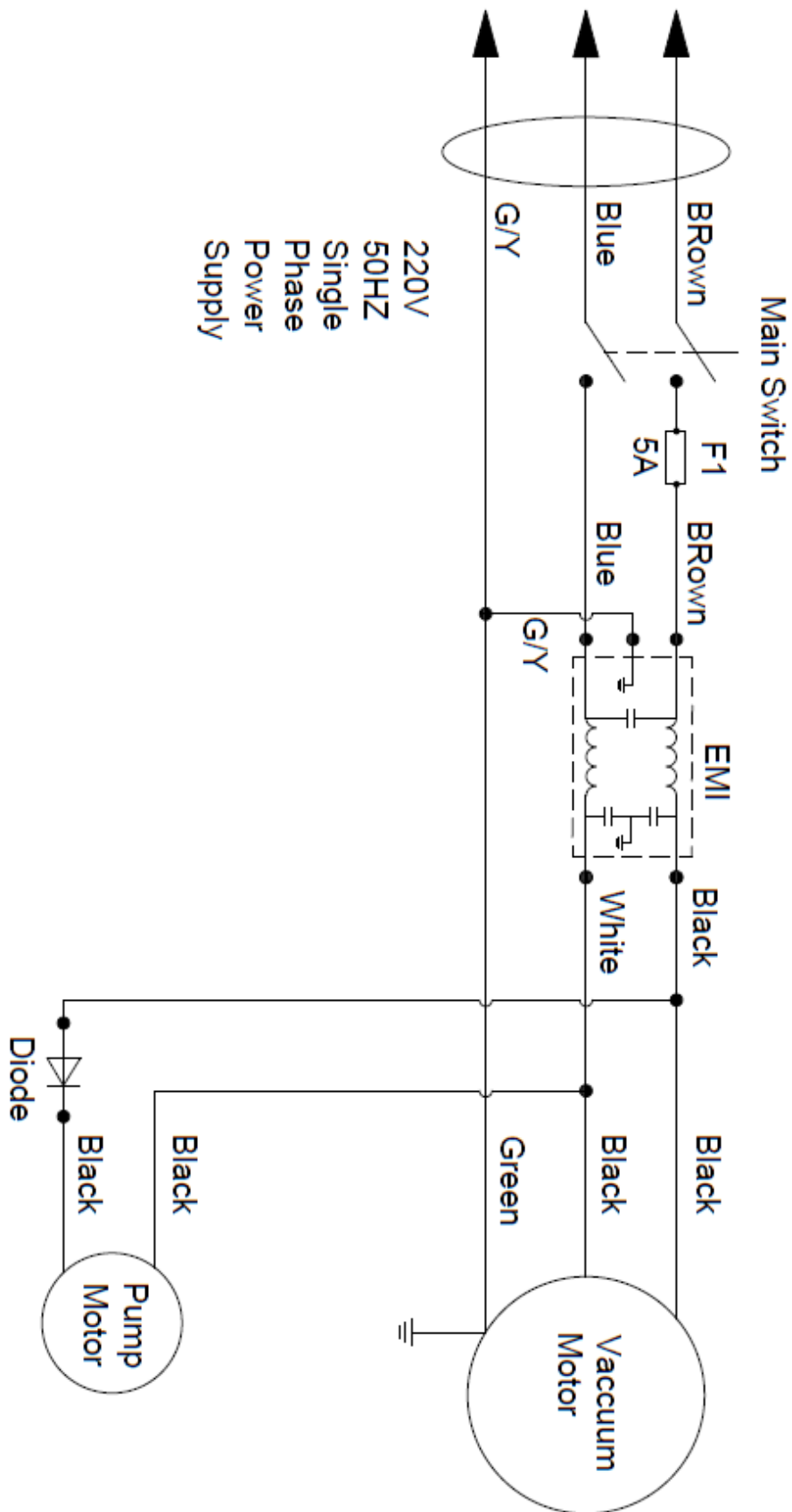


MŰSZAKI ADATOK

Modellek	EU	UK	TURKEY
Elsődleges leírás	WOLF130		
Hivatkozási szám, Készletkód	50000589	50000604	50000603
Feszültség	220-240V		
Szívómotor	1000W		
Amper	4.7amper		
Súly	9.85kg		
Szállítási súly	29.8 lb (13.5kg)		
Hangteljesítményszint	80 dB		
Hangnyomásszint	67 dB A		
Oldatszivattyú-nyomás	30 PSI (2bar)		
Vízemelés (Maximális szívás)	85 hüvelyk H ₂ O (21.8kpa)		
Tápkábel	10 m, Biztonsági narancs		
Tisztítási sáv	4 "(10.2 cm)		
Oldat- és gyűjtőtartály	3.8L		
Oldat- és vákuumtömlők	3m		
Méret H x Sz x M	23.3 x 15.4 x 19.3 hüvelyk(59 x 39 x 49 cm)		

(*): Választható

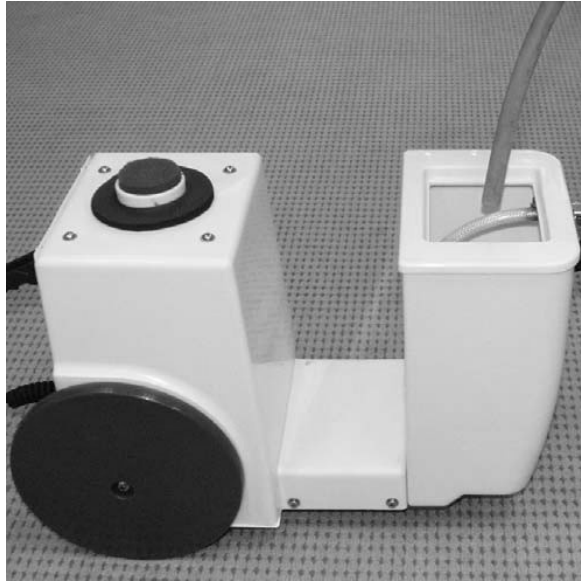
KAPCSOLÁSI RAJZ



KEZELÉSI ÚTMUTATÓ

A készülék üzemeltetése vagy szervizelése előtt olvassa el alaposan a kezelői kézikönyvet

- 1) Egy tömlő vagy vödör segítségével töltsse fel a tartályt legfeljebb 1 gal vízzel (a víz hőmérséklete 50 °C alatt legyen).



Ne használjon gyúlékony folyadékokat, és ne működtesse a gépet gyúlékony folyadékok vagy gőzök közelében

- 2) Csatlakoztassa az oldattömlőt és a vákuumtömlőt a géphez.
- 3) Csatlakoztassa a hálózati kábelt egy földelt fali aljzathoz. (lásd földelési utasítások)

A GÉP MŰKÖDTETÉSE**A FOLTOK ELTÁVOLÍTÁSA ELŐTT**

- 1) Ellenőrizze, hogy a hálózati kábel nem sérült-e meg. Cserélje ki a kábelt, ha sérülést talál.
- 2) A folt eltávolítása előtt porszívóval távolítsa el a szennyeződést a szőnyegből.

A FOLT ELTÁVOLÍTÁSA

- 1) Helyezze a kapcsolót "I" állásba.
MEGJEGYZÉS: A gép csak akkor permetezi az oldatot, amikor meghúzza a permetezőfogantyút (a kézi eszközön).
- 2) A tisztítás megkezdéséhez húzza meg a permetezőfogantyút (a kézi eszközön), és húzza az eszközt hátrafelé a folton.
- 3) Engedje el a fogantyút, ha elérte a folt végét. Húzza tovább a folton a kézi eszközt még 4 hüvelyk, hogy felszívja a fölösleges oldatot.



- 4) Folytassa, amíg a foltot el nem távolítja.

ÜZEMELTETÉSI TANÁCSOK

- 1) Csak hideg vizet használjon. A forró víz a folt beégését okozhatja.
- 2) Folyamatosan ellenőrizze a felgyülemelő habot a gyűjtőtartályban. Használja a forgalmazó által ajánlott csökkentett habzású oldatot.
MEGJEGYZÉS: A túlzott habképződés a szivómotor károsodását okozhatja.
- 3) Az erősen szennyezett területeken többször végig kell húzni az eszközt.
- 4) Ha befejezte a szennyezett oldat felszívását, vagy ha kiürül az oldattartály, ki kell üríteni a gyűjtőtartályt. (lásd A TARTÁLY KIÜRÍTÉSE)

A TARTÁLYOK KIÜRÍTÉSE

AZ OLDATTARTÁLY KIÜRÍTÉSE

- 1) Kapcsolja ki a gépet, és húzza ki a konnektorból.
- 2) Húzza ki az oldat- és a vákuumtömlőket a gép elejéről.
- 3) Oldja ki a gyűjtőtartályt rögzítő bilincseket, és vegye ki a gépből a gyűjtőtartályt.
- 4) Vigye az oldattartályt egy megfelelő lefolyóhoz, és öntse ki a tartalmát.

A GYŰJTŐTARTÁLY KIÜRÍTÉSE

- 1) Kapcsolja ki a gépet, és húzza ki a konnektorból.
- 2) Oldja ki a gyűjtőtartályt rögzítő bilincseket, és vegye ki a gépből a gyűjtőtartályt.
- 3) Vigye a gyűjtőtartályt egy megfelelő lefolyóhoz, és öntse ki a tartalmát.



- 4) Öblítse ki a gyűjtőtartályt tiszta vízzel.
- 5) Szerelje össze a gépet.

KARBANTARTÁS

Annak érdekében, hogy a gép sok éven át jól teljesítsen, kövesse az alábbi karbantartási eljárásokat.

!!! A karbantartás vagy javítás előtt mindig ellenőrizze, hogy a készülék ne legyen áramhoz csatlakoztatva!!!

NAPI KARBANTARTÁS

- 1) Ha aznapra befejezte a takarítást, ürítse ki és öblítse le alaposan a gyűjtőtartályt tiszta vízzel.
- 2) Távolítsa el a maradék oldatot az oldattartályból.
- 3) Távolítsa el a vákuumszűrőt, és öblítse le tiszta vízzel.
- 4) Cserélje ki a szűrőt, ha száraz.



- 5) Vegye ki és vizsgálja meg a permetező-fúvókát. Ha szükséges, tisztítsa meg a fúvókát.

MEGJEGYZÉS: Ne tisztítsa a fúvókát hegyes tárggyal, mert az károsíthatja a fúvókákat.

- 6) Ellenőrizze a kefét és távolítsa el belőle a szennyeződést vagy a szőnyegszálakat.
- 7) Ellenőrizze a kézi eszközön lévő felszedőfejet, és távolítsa el a szennyeződést vagy a szőnyegszálakat.
- 8) Tisztítsa meg a gépet nem dörzshatású tisztítóeszkővel.
- 9) Ellenőrizze, hogy a hálózati kábel nem sérült-e meg. Szükség esetén cserélje ki.

HAVI KARBANTARTÁS

- 1) Mossa át a szivattyút és a csöveket ecetsav-oldattal, hogy feloldja a vegyi anyag-lerakódásokat.

Keverési utasítások:

- a. Keverjen el 8 oz. ecetsavat 1 gal vízben, és öntse az oldattartályba.

Kapcsolja be a vákuum/ szivattyú kapcsolóját.

- b. Tegye a padlóeszköz fejét a padló-leengedőcsőre, és húzza meg az oldatkiengedő kart egy (1) percig.

- c. Kapcsolja ki a gépet, és hagyja a maradék oldatot a gépben másnapig.

- d. A következő napon permetezze ki a maradék oldatot, és öblítse át a rendszert újra 1 gal tiszta vízzel.

- 2) Ellenőrizze a gépet, hogy nem szivárogo-e a víz.
- 3) Ellenőrizze, hogy a gépen nem lazultak ki, illetve nem hiányoznak-e csavarok vagy anyák, és szükség esetén cserélje ki ezeket.

A GÉP TÁROLÁSA

- 1) A gép tárolása előtt győződjön meg arról, hogy az oldat- és a gyűjtőtartályok tiszták és üresek legyenek.
- 2) A gépet száraz helyen, állítva, eltávolított vákuumtömlővel kell tárolni, hogy a levegő átjárhassa.

MEGJEGYZÉS: Ha a gépet olyan helyen tárolja, ahol a hőmérséklet elérheti a fagypontot, győződjön meg róla, hogy mind a tartályok, mind az oldatvezetékek üresek és szárazak legyenek!

ALAPVETŐ HIBAELHÁRÍTÁS

Hiba	Lehetséges okok	Orvoslás
A gép nem működik	Nincs csatlakoztatva az áramforráshoz	Csatlakoztassa egy földelt aljzatba
	Hibás tápkábel	Forduljon a forgalmazóhoz
	Hibás hosszabbító-kábel	Cserélje ki új hosszabbító-kábelre
	Az épület megszakítója lekapcsolt	Állítsa vissza a megszakítót
Az oldatszivattyú nem működik	A vákuum/ szivattyúkapcsoló nincs bekapcsolva	Kapcsolja be
	A vákuum- / szivattyúkapcsoló meghibásodott	Forduljon a forgalmazóhoz
	Hibás szolenoid	Forduljon a forgalmazóhoz
	Hibás oldatszivattyú	Forduljon a forgalmazóhoz
	A szivattyú túlmelegedett	Határozza meg az okot, és várjon 30 percet, hogy a szivattyú lehűljön
	Laza vagy törött vezetékek	Forduljon a forgalmazóhoz
A vákuummotor nem működik	A vákuum/ szivattyúkapcsoló nincs bekapcsolva	Kapcsolja be
	A vákuum- / szivattyúkapcsoló meghibásodott	Forduljon a forgalmazóhoz
	A vákuummotor hőtülerhelés-védője lekapcsolt	Ellenőrizze, hogy mi lehet az akadály, és hagyja 30 percig lehűlni
	Hibás vákuummotor	Forduljon a forgalmazóhoz
	Kopott szénkefék	Forduljon a forgalmazóhoz
	Laza vagy törött vezetékek	Forduljon a forgalmazóhoz
Gyenge szívás	A levegő szivárog a gyűjtőtartály tömitése körül	Győződjön meg róla, hogy a gyűjtőtartály fedele jól illeszkedjen
	A vákuumtömítés sérült vagy kopott	Cserélje ki a tömitést
	A vákuumtömlő gyengén illeszkedik	Figyeljen arra, hogy a vákuumtömlő szorosan illeszkedjen
	Hibás vákuumtömlő	Cserélje ki a vákuumtömlőt
	A vákuumtömlő csatlakozója laza	Ügyeljen arra, hogy a csatlakozók jól illeszkedjenek
	A vákuumtömlő eltömődött	Távolítsa el az akadályt a vákuumtömlőből
A folyadék perme- tezése egyenetlen, vagy a gép nem permetez	Az oldattartály üres vagy majdnem üres	Töltse fel az oldattartályt
	A vákuum/ szivattyúkapcsoló nincs bekapcsolva	Kapcsolja be
	A permeező fűvókák koszosak vagy eltömődtek	Tisztítsa meg vagy cserélje ki a permeező fűvókákat
	Nem megfelelő szórási méret vagy permetszög	Forduljon a forgalmazóhoz
	Kopott permetszóró fejek	Forduljon a forgalmazóhoz
	Hibás oldatszivattyú	Forduljon a forgalmazóhoz
	Eltömődött oldattartály-szűrő	Tisztítsa meg vagy cserélje ki a szűrőt
	Az oldattömlő becsípődött vagy megtört	Ellenőrizze az akadályokat és a töréseket, szükség esetén vezesse máshol, vagy cserélje ki

HIBAEELHÁRÍTÁS**LESELEJTEZÉS**

Selejtezze le a gépet egy minősített hulladékkezelési intézmény által.

A gép leselejtezése előtt kérjük, különítse el az alábbi részegységeket, melyeket a vonatkozó törvények és rendeletek szerint kell rendelkezni.

- Kefe/párnatartó
- Műanyag cső és műanyag alkatrészek
- Elektromos és elektronikus alkatrészek (*)

(*) Az elektromos és elektronikus alkatrészek megsemmisítésével kapcsolatban kérjük, vegye fel a kapcsolatot cégünk szervizközpontjával.

A gép anyagi összetétele és újrahasznosíthatósága

Típus	Újrahasznosíthatósági százalék	WOLF130 súlyszázalék%
Elektromos motorok – változó	20%	22%
Vastartalmú anyagok	80%	20%
Kábelköteg	80%	1%
Folyadékok	100%	0%
Nem újrahasznosítható műanyag	0%	1%
Újrahasznosítható műanyag	100%	45%
Gumi	20%	1%

INTRODUZIONE**NOTA**

I numeri tra parentesi si riferiscono alle parti elencate nel capitolo **Descrizione della Macchina**.

SCOPO E CONTENUTI DELLA GUIDA

Il presente Manuale d'uso intende fornire l'operatore di tutte le informazioni basilari, le caratteristiche tecniche, il funzionamento, l'inattività della macchina, le parti di ricambio e le condizioni di sicurezza ecc.

Prima di effettuare un qualsiasi intervento sulla macchina, gli operatori e i tecnici qualificati devono leggere il Manuale d'uso. Contattare la nostra azienda in caso di dubbi sull'interpretazione delle istruzioni e per qualsiasi ulteriore informazione.

COME CONSERVARE IL PRESENTE MANUALE D'USO

Il Manuale d'uso deve essere riposto vicino alla macchina, in un adeguato contenitore, lontano da liquidi e da altre sostanze che potrebbero danneggiarlo.

DICHIARAZIONE DI CONFORMITÀ

La dichiarazione di Conformità viene fornita con la macchina e certifica la sua conformità alle vigenti leggi.

**NOTA**

Copie della dichiarazione originale sono fornite insieme con la documentazione relative alla macchina.

ACCESSORI E MANUTENZIONE

Tutte le necessarie operazioni, procedure di manutenzione e riparazione devono essere eseguite da personale qualificato di un nostro Centro di assistenza e di riparazione designato. È possibile utilizzare SOLO ricambi e accessori originali od omologati.

Se necessario, contattare il servizio clienti della nostra azienda per qualsiasi riparazione o acquisto di accessori e pezzi di ricambio.

MODIFICHE E MIGLIORAMENTI

Dal momento che ci proponiamo un costante miglioramento dei nostri prodotti, la società si riserva il diritto di modificare e di apportare miglioramenti alla macchina senza fornire ulteriori informazioni.

GAMMA DI APPLICAZIONI

La presente macchina è destinata a un uso commerciale. È stata costruita per l'utilizzo in ambienti interni e non è destinata a impieghi diversi. Utilizzare solo accessori consigliati.

DATI IDENTIFICATIVI DELLA MACCHINA

Il numero di matricola della macchina e il nome del modello sono segnati sull'etichetta di serie.

Queste informazioni sono necessarie. Usare la seguente tabella per trascrivere i dati identificativi della macchina al momento della richiesta di parti di ricambio.

MODELLO DELLA MACCHINA.....

NUMERO DI MATRICOLA DELLA MACCHINA
--

TRASPORTO E DISIMBALLO

Controllare attentamente lo scatolone di spedizione alla ricerca di segni di danneggiamento. Segnalare immediatamente al trasportatore eventuali danni al cartone.

Controllare il contenuto dello scatolone per accertarne la completezza. Contattare il distributore se manca qualcosa.

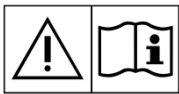
Contenuto:

- Lavatappeti
- Tubi flessibili aspirazione e soluzione
- Utensile manuale

SICUREZZA

Per segnalare potenziali condizioni di pericolo viene utilizzata la seguente simbologia. Leggere sempre queste informazioni con attenzione e prendere tutte le necessarie precauzioni per salvaguardare cose e persone.

SIMBOLI VISIBILI SULLA MACCHINA



AVVERTENZA!

Leggere tutte le istruzioni attentamente prima di utilizzare la macchina.



AVVERTENZA!

Non lavare la macchina con getti d'acqua diretti o pressurizzati.

SIMBOLI PRESENTI NEL MANUALE D'USO



PERICOLO!

Indica una situazione pericolosa con rischio di morte per l'operatore.



AVVERTENZA!

Indica un potenziale rischio di lesioni a persone.



ATTENZIONE!

Indica una precauzione o una nota relative a funzioni importanti o utili. Fare attenzione ai paragrafi contrassegnati da questo simbolo.



NOTA

Indica una nota riferita a funzioni utili o importanti.



CONSULTAZIONE

Indica la necessità di consultare le istruzioni contenute nel Manuale d'Uso prima di eseguire una qualsiasi procedura.

ISTRUZIONI GENERALI DI SICUREZZA

Generale: la presente macchina lavatappeti deve essere collegata a massa durante l'uso per proteggere l'operatore da scosse elettriche. La macchina è dotata di una spina di collegamento a massa a tre contatti per adattarsi alla presa di messa a terra appropriata. Il conduttore verde (o verde e giallo) nel cavo è il filo di messa a terra. Non collegare mai questo filo a un piedino di messa a terra diverso della spina di collegamento.

La presente macchina deve essere utilizzata su un circuito nominale da 220-240 volt e dispone di una spina di messa a terra simile alla spina illustrata nella figura seguente. Verificare che la macchina sia collegata a una presa avente la stessa configurazione della spina. Nessun adattatore deve essere utilizzato con questa macchina.

Specifiche avvertenze e precauzioni per informarvi dei potenziali danni a persone e alla macchina sono elencate di seguito.

**PERICOLO!**

- Questa macchina deve essere utilizzata da personale autorizzato e opportunamente istruito circa le indicazioni contenute nel manuale.
- Prima di eseguire qualsiasi operazione di pulizia, manutenzione, riparazione o sostituzione, leggere attentamente le istruzioni e assicurarsi che la macchina sia spenta.
- Non operare con questa macchina in ambienti dove sono presenti polveri, liquidi o vapori nocivi, pericolosi, infiammabili e/o esplosivi: questa macchina non è adatta a raccogliere polvere pericolosa.
- Non indossare gioielli mentre si utilizza la macchina in prossimità di componenti elettrici.
- Non lavorare sotto la macchina sollevata senza adeguati sostegni fissi di sicurezza.

**AVVERTENZA!**

- La presente macchina è destinata a un USO COMMERCIALE, ad esempio in hotel, scuole, ospedali, fabbriche, negozi, uffici e attività di noleggio.
- Se lasciate incustodite, le macchine devono essere protette da movimenti accidentali.
- Per impedire l'uso non autorizzato della macchina, la fonte di alimentazione deve essere spenta o bloccata.
- Verificare con attenzione la macchina prima di ogni utilizzo. Assicurarsi che tutti i componenti siano correttamente fissati prima dell'uso. In caso contrario possono causare danni a persone e proprietà.
- Non spostare mai la macchina tirando il cavo. Non far passare il cavo attraverso una porta chiusa o non avvolgere il cavo intorno a bordi o angoli taglienti. Non far passare la macchina sopra il cavo. Tenere il cavo lontano da superfici calde.
- Per ridurre il rischio di incendio, scosse elettriche o lesioni, assicurarsi che la macchina sia spenta prima di andarsene.
- Usare o riporre la macchina al chiuso in condizioni asciutte; la macchina non è progettata per uso in esterni.
- La temperatura sia di lavoro che di conservazione della macchina deve essere compresa tra 0 °C e +40 °C, l'umidità dell'aria deve essere compresa tra 30% e 95%.
- Non usare la macchina su superfici con gradiente superiore a quello indicato.
- Nell'utilizzare detergenti per pavimenti, attenersi alle istruzioni e alle avvertenze indicate sulle etichette dei flaconi e indossare appositi guanti e altri dispositivi di protezione.
- Qualora dovessero riscontrarsi anomalie nel funzionamento della macchina, accertarsi che non dipendano dalla mancata manutenzione. Se necessario, richiedere assistenza a personale autorizzato oppure al Centro di assistenza autorizzato.

- Prendere le opportune precauzioni affinché i capelli, i gioielli, le parti non aderenti degli abiti, non vengano catturati dalle parti in movimento della macchina.
- Non usare la macchina in ambienti particolarmente polverosi.
- Non lavare la macchina con getti d'acqua diretti o pressurizzati o con sostanze corrosive.
- Non urtare scaffalature o impalcature, soprattutto se esiste il pericolo di caduta oggetti.
- Non appoggiare contenitori di liquidi sulla macchina, utilizzare l'apposita sede portaoggetti.
- In caso di incendio usare l'estintore a polvere e non uno a liquidi.
- Non rimuovere o modificare le etichette sulla macchina.
- Durante i trasferimenti della macchina con temperature inferiori al punto di congelamento, prestare attenzione in quanto l'acqua, presente nel serbatoio acqua di recupero o nei tubi, potrebbe congelare e danneggiare seriamente la macchina.
- Se alcuni componenti necessitano di essere sostituiti, ordinare ricambi ORIGINALI presso Fornitori o Rivenditori Autorizzati.
- Se la macchina non funziona correttamente o è danneggiata, portarla presso un Centro di assistenza.
- Per garantire un funzionamento appropriato e sicuro della macchina, la manutenzione programmata indicata nell'apposito capitolo di questo Manuale deve essere puntualmente eseguita da personale autorizzato o presso fornitori o rivenditori autorizzati.
- La presente macchina è esclusivamente uno strumento per la pulizia e non è destinata a utilizzi diversi.
- Mantenere le aperture della macchina libere da polvere, filaccia, peli e qualsiasi altro corpo estraneo che possa ridurre la ventilazione. Non usare la macchina se le aperture sono ostruite.
- Usare la macchina solo dove sia disponibile un'opportuna illuminazione.
- questa macchina non è destinata all'uso da parte di persone (compresi i bambini) con ridotte capacità fisiche, sensoriali o mentali o prive di esperienza e formazione.
- Porre estrema attenzione quando la si usa vicino ai bambini.
- I bambini dovrebbero essere supervisionati per assicurarsi che non giochino con la macchina.
- Mentre si usa la macchina, assicurarsi di non causare danni a persone o oggetti.
- La pulizia e la manutenzione della macchina non possono essere eseguite da bambini senza adeguata supervisione.
- Gli operatori devono ricevere adeguate istruzioni per l'utilizzo di queste macchine.
- Il presente apparecchio incorpora un collegamento a terra solo per scopi funzionali
- Se il cavo di alimentazione è danneggiato, deve essere sostituito dal produttore, dal suo agente di assistenza o da personale di pari qualifica al fine di evitare pericoli.
- Rimuovere la spina dalla presa di corrente durante la pulizia o la manutenzione e quando si sostituiscono parti o si converte la macchina in una funzione differente

DESCRIZIONE DELLA MACCHINA
STRUTTURA DELLA MACCHINA

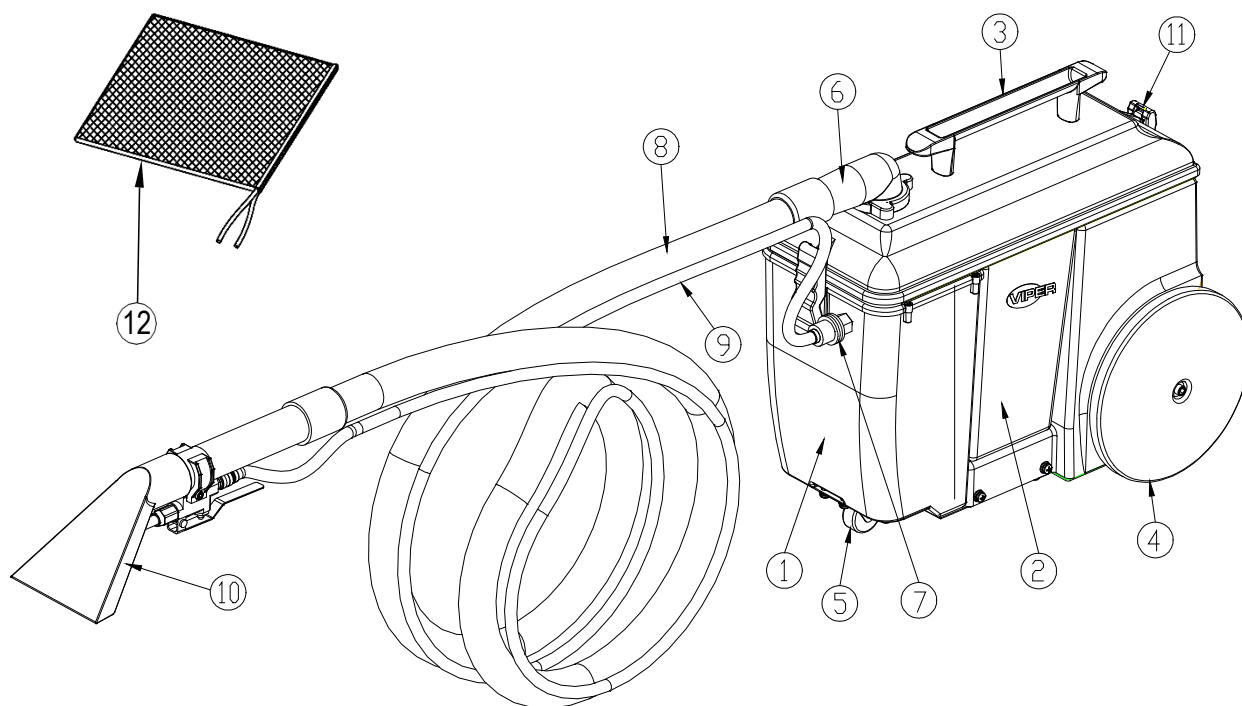
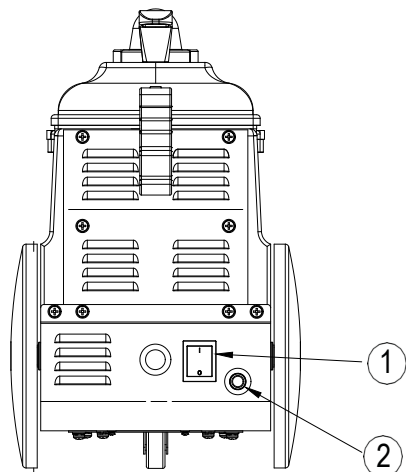


Figura 1

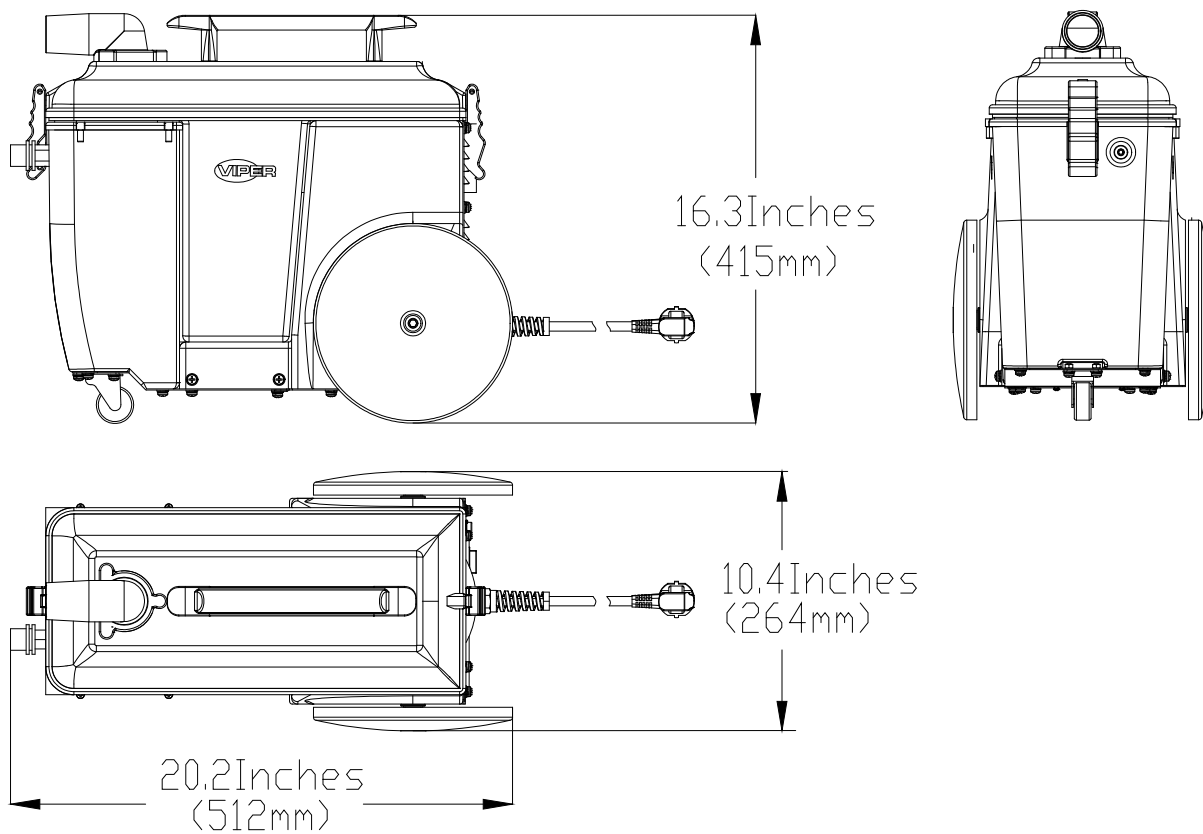
- | | |
|-------------------------------------|--------------------------------------|
| 1. Serbatoio soluzione | 7. Collegamento tubo della soluzione |
| 2. Serbatoio recupero | 8. Tubo di aspirazione |
| 3. Maniglia | 9. Tubo della soluzione |
| 4. Ruote di trasporto | 10. Utensile manuale |
| 5. Rotella anteriore | 11. Dispositivo di chiusura |
| 6. Collegamento tubo di aspirazione | 12. Borsa accessori blu |

PANNELLO DI CONTROLLO

1. Interruttore alimentazione
2. Protezione da sovraccarichi



DIMENSIONI MACCHINA

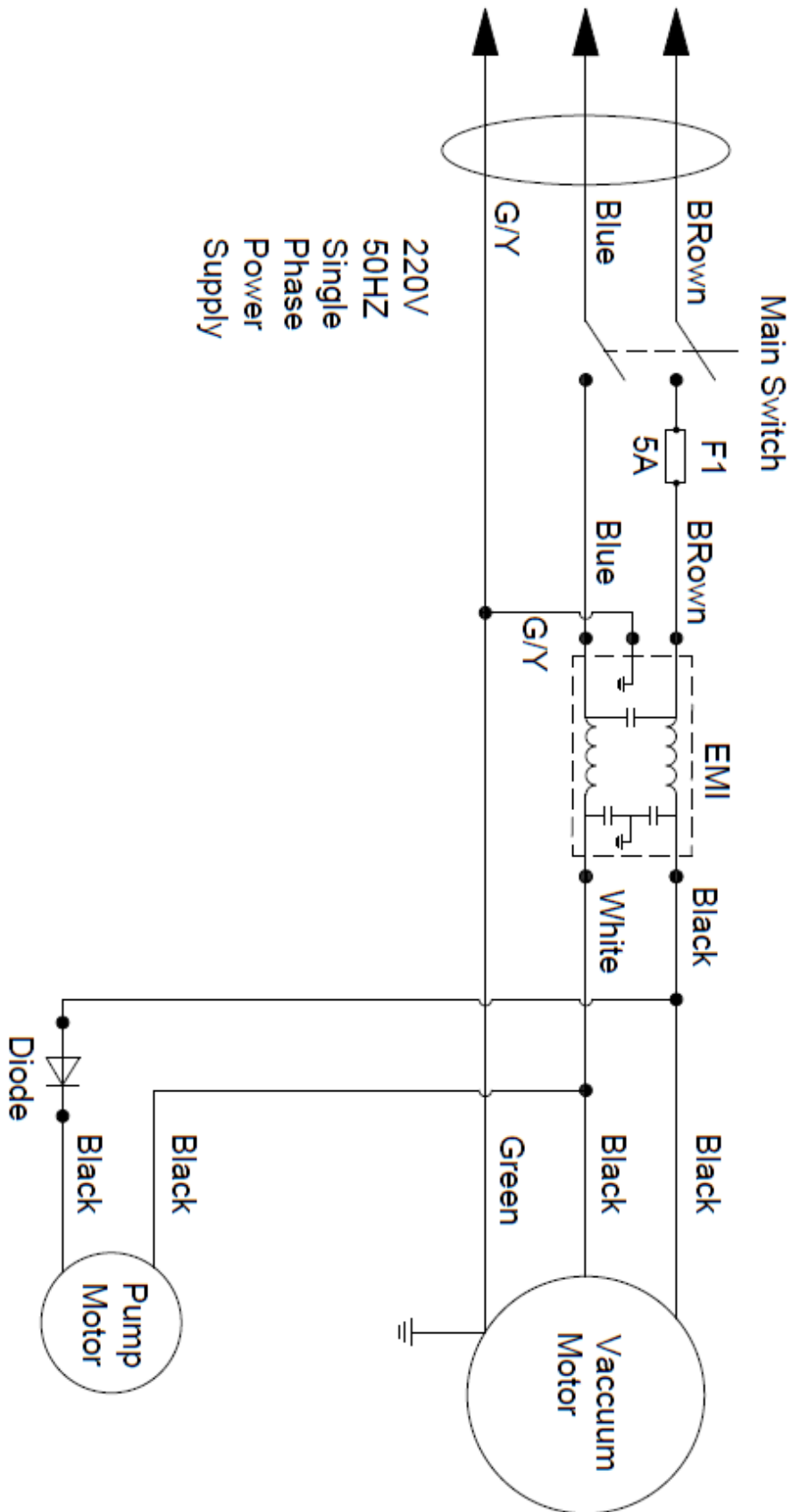


PARAMETRI TECNICI

Modelli	EU	UK	TURKEY
Descrizione principale	WOLF130		
Codice magazzino n. rif.	50000589	50000604	50000603
Voltaggio	220-240V		
Motore di aspirazione	1000W		
Corrente assorbita	4.7A		
Peso	9.85kg		
Peso di spedizione	29.8 libbre (13.5 kg)		
Potenza acustica	80 dB		
Pressione acustica	67 dB A		
Pressione pompa soluzione	30 Psi (2bar)		
Sollevamento acqua (aspirazione massima)	85pollici H2O (21.8kpa)		
Cavo di alimentazione piedi	10 m, arancione fiamma		
Percorso di pulizia pollici	4 pollici (10.2 cm)		
Serbatoio soluzione e recupero galloni	3.8L		
Tubi flessibili soluzione e aspirazione	3m		
Dimensioni L x P x A	23.3 x 15.4 x 19.3pollici (59 x 39 x 49 cm)		

(*): Opzionale

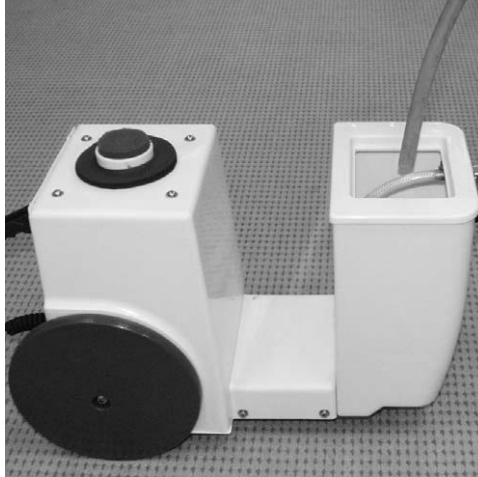
SCHEMA ELETTRICO



GUIDA OPERATIVA

Leggere attentamente il manuale dell'operatore prima di utilizzare o sottoporre a manutenzione la macchina

- 1) Con un tubo o un secchio, riempire il serbatoio con un massimo di 1 gallone di acqua (la temperatura dell'acqua è inferiore a 50°C).



Non utilizzare liquidi infiammabili o utilizzare la macchina entro o in prossimità di liquidi o vapori infiammabili

- 1) Collegare il tubo della soluzione e il tubo di aspirazione alla macchina.
- 2) Collegare il cavo di alimentazione a una presa a muro con messa a terra (vedere le istruzioni di messa a terra).

FUNZIONAMENTO DELLA MACCHINA

PRIMA DI RIMUOVERE LE MACCHIE

- 1) Ispezionare il cavo di alimentazione per verificare che non sia danneggiato. Sostituire il cavo in presenza di danni.
- 2) Aspirare il tappeto per rimuovere i detriti prima di togliere la macchia.

RIMOZIONE DELLE MACCHIE

- 1) Portare l'interruttore di alimentazione in posizione "I".
NOTA: la soluzione viene nebulizzata solo quando viene tirata la maniglia di nebulizzazione (sull'utensile manuale).
- 2) Per iniziare la pulizia, tirare la maniglia di nebulizzazione (utensile manuale) e iniziare tirando l'utensile all'indietro sopra la macchia.
- 3) Rilasciare la maniglia di nebulizzazione una volta raggiunta la fine della macchia. Continuare a tirare indietro l'utensile a mano per altri 4 pollici per raccogliere la soluzione in eccesso.



- 4) Continuare fino alla rimozione della macchia.

SUGGERIMENTI OPERATIVI

- 1) Utilizzare solo acqua fredda. L'acqua calda potrebbe fissare la macchia.
- 2) Controllare continuamente l'accumulo di schiuma nel serbatoio di recupero. Utilizzare una soluzione di controllo della schiuma raccomandata dal distributore.
NOTA: un eccessivo accumulo di schiuma causerà danni al motore di aspirazione.
- 3) Ripetere il percorso di rimozione su aree fortemente sporche.
- 4) Al termine del recupero della soluzione sporca, o quando il serbatoio della soluzione è vuoto, è necessario scaricare il serbatoio di recupero (vedere SCARICO DEL SERBATOIO).

SCARICO DEI SERBATOI**SCARICO DEL SERBATOIO DELLA SOLUZIONE**

- 1) Spegnerla macchina e scollegarla dall'alimentazione.
- 2) Scollegare i tubi flessibili della soluzione e dell'aspirazione dalla parte anteriore della macchina.
- 3) Sganciare i dispositivi di chiusura presenti sul serbatoio di recupero e rimuovere il serbatoio di recupero dalla macchina.
- 4) Portare il serbatoio della soluzione in uno scarico approvato e scaricare il contenuto.

SCARICO DEL SERBATOIO DI RECUPERO

- 1) Spegnerla macchina e scollegarla dall'alimentazione.
- 2) Sganciare i dispositivi di chiusura presenti sul serbatoio di recupero e rimuovere il serbatoio di recupero dalla macchina.
- 3) Portare il serbatoio di recupero in uno scarico approvato e scaricare il contenuto.



- 4) Sciacquare il serbatoio di recupero con acqua pulita.
- 5) Rimontare la macchina.

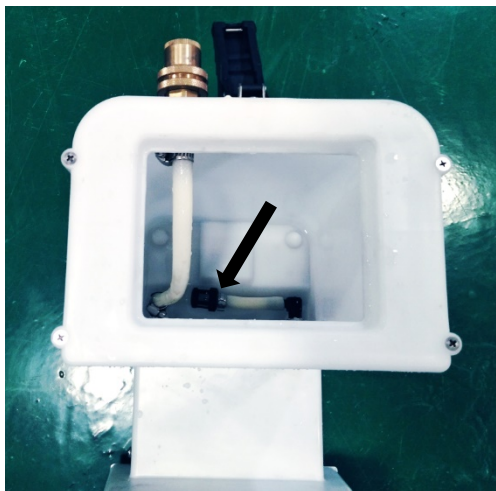
MANUTENZIONE

Per mantenere la macchina in buone prestazioni per molti anni, seguire le seguenti procedure di manutenzione.

!!! Verificare sempre che la macchina sia scollegata prima di eseguire qualsiasi intervento di manutenzione o riparazione!!!

MANUTENZIONE GIORNALIERA

- 1) Al termine dell'operazione di pulizia giornaliera, scaricare e sciacquare accuratamente il serbatoio di recupero con acqua pulita.
- 2) Rimuovere la soluzione rimanente dal serbatoio della soluzione.
- 3) Rimuovere il filtro dell'aspirazione e pulire con acqua pulita.
- 4) Riposizionare il filtro quando è asciutto.



- 5) Rimuovere e ispezionare il getto di vaporizzazione. Se necessario, pulire il getto.

NOTA: non pulire il getto con un oggetto appuntito, in quanto potrebbe danneggiare i getti.

- 6) Controllare la striscia di spazzola e rimuovere eventuali detriti o fibre di tappeto.
- 7) Controllare l'utensile manuale di prelievo frontale e rimuovere eventuali detriti o fibre del tappeto.
- 8) Pulire la macchina con un detergente non abrasivo.
- 9) Ispezionare il cavo di alimentazione per verificare che non sia danneggiato. Se necessario sostituire.

MANUTENZIONE MENSILE

- 1) Lavare la pompa e l'impianto idraulico con una soluzione di acido acetico per sciogliere qualsiasi accumulo chimico.

Istruzioni di miscelazione:

- a. Miscelare preventivamente 8 once di soluzione di acido acetico con 1 gallone di acqua e versare nel serbatoio della soluzione.

Accendere l'aspirazione/pompa.

- b. Posizionare la testa per il pavimento sullo scarico del pavimento e tirare l'attivazione della soluzione per un (1) minuto.
- c. Spegnerla la macchina e lasciare che la soluzione residua resti nella macchina per tutta la notte.
- d. Il giorno successivo nebulizzare la soluzione rimanente e lavare nuovamente il sistema con 1 gallone di acqua pulita.

- 2) Ispezionare la macchina per verificare che non vi siano perdite d'acqua.
- 3) Controllare la presenza di dadi, viti e bulloni allentati o mancanti nella macchina e sostituirli se necessario.

CONSERVAZIONE DELLA MACCHINA

- 1) Prima di riporre la macchina, assicurarsi che i serbatoi della soluzione e di recupero siano puliti e privi di qualsiasi soluzione.
- 2) Conservare la macchina in posizione verticale in una zona asciutta, con il tubo di aspirazione rimosso per la circolazione dell'aria.

NOTA: se si ripone la macchina in un'area in cui potrebbe congelare, assicurarsi che entrambi i serbatoi e l'impianto idraulico della soluzione siano stati vuotati di tutta l'acqua e siano asciutti!

RICERCA GUASTI BASE

Problema	Probabili cause	Rimedio
La macchina non funziona	Non collegata all'alimentazione	Collegare a una presa con messa a terra
	Cavo di alimentazione guasto	Contattare il distributore.
	Cavo di prolunga alimentazione guasto	Sostituire con un nuovo cavo di prolunga
	Interruttore automatico dell'edificio attivato	Ripristinare l'interruttore automatico
Pompa soluzione non funzionante	Aspirazione/pompa non accesa	Attivare l'interruttore
	Interruttore aspirazione/pompa guasto	Contattare il distributore.
	Elettrovalvola guasta	Contattare il distributore.
	Pompa soluzione guasta	Contattare il distributore.
	Pompa surriscaldata	Determinare la causa e lasciare raffreddare la pompa per 30 minuti
	Cablaggio allentato o rotto	Contattare il distributore.
Motore aspirazione non funzionante	Aspirazione/pompa non accesa	Attivare l'interruttore
	Interruttore aspirazione/pompa guasto	Contattare il distributore.
	Sovraccarico termico motore aspirazione intervenuto	Controllare l'ostruzione e lasciare raffreddare per 30 minuti
	Motore aspirazione guasto	Contattare il distributore.
	Spazzole di carbone usurate	Contattare il distributore.
	Cablaggio allentato o rotto	Contattare il distributore.
Prelievo insufficiente	Perdita d'aria intorno alla guarnizione del recupero	Assicurarsi che il coperchio di recupero sia ben serrato
	Guarnizione dell'aspirazione danneggiata o usurata	Sostituire la guarnizione
	Collegamenti tubo di aspirazione allentati	Assicurarsi che i collegamenti dei tubi di aspirazione siano stati serrati
	Tubo di aspirazione difettoso	Sostituire il tubo di aspirazione
	Manicotti del tubo di aspirazione allentati	Assicurarsi che i manicotti siano fissati all'alloggiamento
	Tubo di aspirazione intasato	Rimuovere l'ostruzione dal tubo di aspirazione
Nebulizzazione della soluzione assente o irregolare	Il serbatoio della soluzione è vuoto o insufficiente	Riempire il serbatoio della soluzione
	Aspirazione/pompa non accesa	Attivare l'interruttore
	Punte del getto sporche od otturate	Pulire o sostituire le punte del getto
	Dimensioni o angolo di nebulizzazione non corretti	Contattare il distributore.
	Punte del getto usurate	Contattare il distributore.
	Pompa soluzione guasta	Contattare il distributore.
	Filtro del serbatoio della soluzione intasato	Pulire o sostituire il filtro
	Tubo della soluzione schiacciato o piegato	Controllare la presenza di ostruzioni e pieghe e reindirizzare o sostituire se necessario

RICERCA GUASTI**SMALTIMENTO**

Fate rottamare la macchina da un centro di Smaltimento Rifiuti Autorizzato.

Prima di rottamare la macchina, togliere e smaltire separatamente le parti che necessitano di smaltimento particolare, secondo la normativa vigente.

- Spazzola/portafeltro
- Tubi e parti in plastica
- Parti elettriche ed elettroniche (*)

(*) Si prega di contattare il nostro Centro di assistenza aziendale per lo smaltimento di componenti elettriche ed elettroniche.

Composizione di materiale della macchina e riciclabilità

Tipo	% riciclabile	WOLF130 Percentuale di peso %
Motori elettrici - misc.	20%	22%
Materiali ferrosi	80%	20%
Cablaggio	80%	1%
Liquidi	100%	0%
Plastica - non riciclabile	0%	1%
Plastica - riciclabile	100%	45%
Gomma	20%	1%

IŽANGA**PASTABA**

Skliausteliuose nurodyti skaičiai atitinka mašinos aprašyme nurodytus elementus.

INSTRUKCIJOS PASKIRTIS IR TURINYS

Šioje instrukcijoje operatoriui pateikiama visa pagrindinė informacija apie mašiną, nurodomos jos techninės charakteristikos, aprašomas valdymas, saugojimas, atsarginės dalys, sauga ir pateikiama kita susijusi informacija.

Prieš vykdydami bet kokius darbus su mašina, būtinai perskaitykite šią mašinos naudojimo instrukciją. Iškilus klausimams ar neaiškumams dėl instrukcijoje pateiktos informacijos, susisiekite su mūsų atstovais.

KAIP SAUGOTI ŠIĄ NAUDOJIMO INSTRUKCIJĄ

Naudojimo instrukciją laikykite netoli mašinos, apsauginiame įdėkle, apsaugotą nuo skysčių ir kitų ją pažeisti galinčių medžiagų.

ATITIKTIES DEKLARACIJA

Atitikties deklaracija patvirtina mašinos atitikimą galiojantiems ir jai taikomiems reikalavimams, ir yra tiekama kartu su mašina.

**PASTABA**

Atitikties deklaracijos kopijos tiekiamos kartu su kita mašinos dokumentacija.

PRIEDAI IR PRIEŽIŪRA

Visas būtinausias naudojimo, priežiūros ir remonto procedūras turi vykdyti kvalifikuoti specialistai arba mūsų įmonės įgaliotasis remonto centras. Naudoti galima TIK originalias arba gamintojo patvirtintas atsargines dalis.

Jei jums reikia įsigyti kokių nors mašinos priedų arba atsarginių dalių, kreipkitės į mūsų klientų aptarnavimo skyrių.

PAKEITIMAI IR PATOBULINIMAI

Mes nepaliaujamai tobuliname savo gaminius, todėl pasilieiname teisę keisti ir gerinti mašiną be išankstinio įspėjimo.

TAIKYMO SRITIS

Ši mašina skirta komerciniam naudojimui. Ji skirta naudoti vidaus patalpose ir nėra skirta jokiame kitame naudojimui. Naudokite tik rekomenduojamus priedus.

MAŠINOS IDENTIFIKAVIMAS

Mašinos serijos numeris ir modelio pavadinimas nurodyti mašinos vardinėje etiketėje.

Ši informacija naudinga. Kreipdamiesi dėl atsarginių dalių pasinaudokite toliau pateikta lentele, kurioje nurodykite mašinos identifikavimo duomenis.

MAŠINOS MODELIS

MAŠINOS SERIJOS NUMERIS.....

TRANSPORTAVIMAS IR IŠPAKAVIMAS

Atidžiai patikrinkite, ar pakuotė nėra pažeista. Apie bet kokią pakuotės pažeidimą nedelsdami praneškite vežėjui.

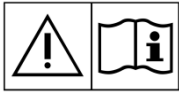
Patikrinkite pakuotės turinį, kad įsitikintumėte, jog pakuotė yra pilna. Jei ko nors trūksta, susisiekite su platintoju.

Pakuotės turinys:

- Kilimo dėmių valymo antgalis
- Siurbimo ir tirpalo žarnos
- Rankinis įrankis

SAUGA

Toliau nurodyti simboliai įspėja apie potencialiai pavojingas situacijas. Įdėmiai perskaitykite šią informaciją ir imkitės visų būtinų žmonių ir turto apsaugos priemonių.

MATOMI MAŠINOS SIMBOLIAI**ĮSPĖJIMAS!**

Prieš imdamiesi bet kokių veiksmų, įdėmiai perskaitykite visą šios mašinos naudojimo instrukciją.

**ĮSPĖJIMAS!**

Neplaukite mašinos tiesiogine ir (arba) didelio spaudimo vandens srove.

NAUDOJIMO INSTRUKCIJOJE NURODYTI SIMBOLIAI**PAVOJUS!**

Šis simbolis įspėja dėl atitinkamoje situacijoje operatoriui grėšiančio mirtino pavojaus.

**ĮSPĖJIMAS!**

Šis simbolis įspėja dėl atitinkamoje situacijoje žmonėms grėšiančio pavojaus.

**ATSARGIAI!**

Šis simbolis įspėja apie galimą pavojų ir apie susijusias svarbias arba naudingas funkcijas. Atkreipkite dėmesį į šiuo simboliu pažymėtus skyrius.

**PASTABA**

Šis simbolis nurodo susijusią svarbią arba naudingą informaciją.

**KONSULTACIJA**

Šis simbolis nurodo būtinybę, prieš imantis tolesnių veiksmų, perskaityti naudojimo instrukcijoje pateiktus atitinkamus nurodymus.

BENDRIEJI SAUGOS NURODYMAI

Bendrosios nuostatos - ši kilimų dėmių aptikimo mašina turi būti naudojimo metu turi būti įžeminta, taip siekiant apsaugoti naudotoją nuo elektros smūgio. Įrenginyje yra trijų kontaktų įžeminimo tipo kištukas, kuris tinka atitinkamam įžeminimo tipo lizdui. Žalias (arba žalias ir geltonas) laidas kabelyje yra įžeminimo laidas. Niekada nejunkite šio laido prie kito nei įžeminimo kištuko.

Šį įrenginį junkite prie nominaliosios 220–240 voltų grandinės, kuri turi įžeminimo kištuką, panašų į žemiau pavaizduotą paveikslėlyje. Įsitikinkite, kad įrenginys prijungtas prie lizdo, kurio konfigūracija yra tokia pati kaip kištuko. Su šiuo aparatu nenaudokite jokio adapterio.

Toliau nurodyti specialieji įspėjimai informuojantys apie potencialius pavojus žmonėms ir mašinai.

**PAVOJUS!**

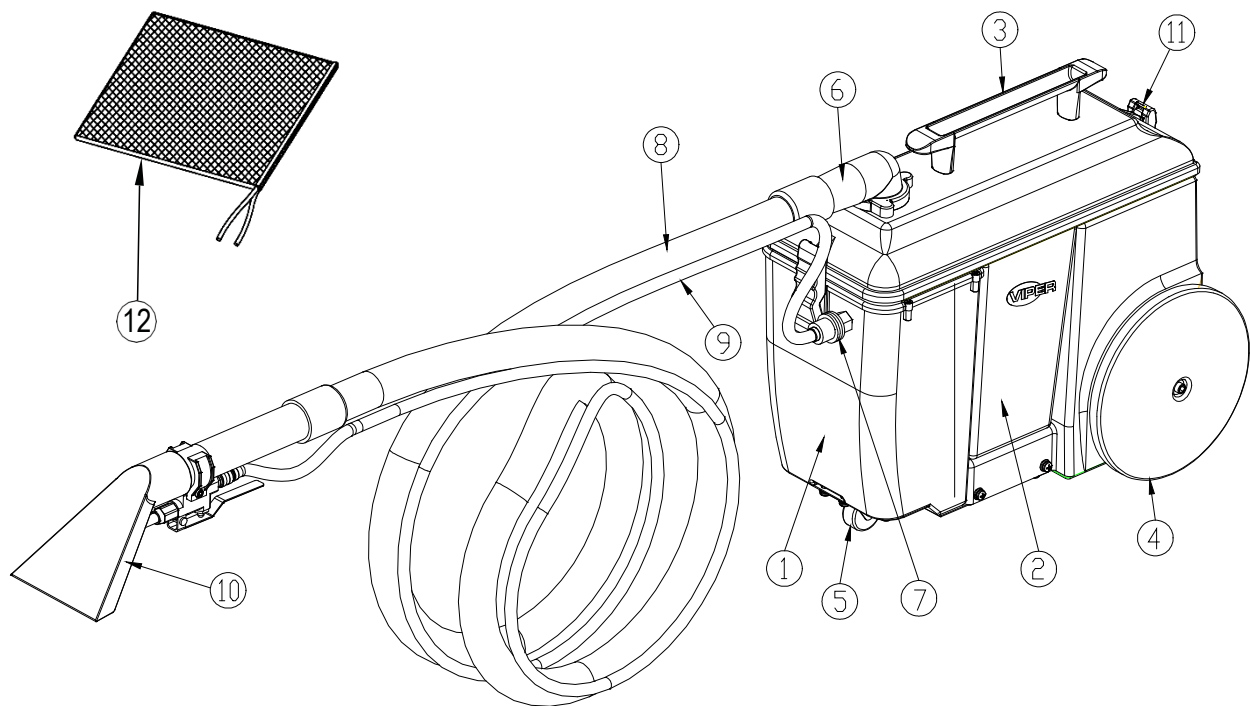
- Šią mašiną, vadovaudamiesi naudojimo instrukcija, gali naudoti tik išmokyti ir įgalioti darbuotojai.
- Prieš atlikdami bet kokius valymo, priežiūros, taisymo arba keitimo darbus, atidžiai perskaitykite visas instrukcijas, įsitikinkite, kad įrenginys yra išjungtas.
- Nenaudokite mašinos šalia toksinių, pavojingų, degių ir (arba) sprogių medžiagų (miltelių, skysčių ar garų). Ši mašina nėra tinkama pavojingoms medžiagoms (milteliams) surinkti.
- Prieš dirbdami šalia elektrinių sistemų elementų, nusiimkite bet kokius metalinius papuošalus.
- Nedirbkite po pakelta ir saugiai stovais neparemta mašina.

**ĮSPĖJIMAS!**

- Ši mašina yra KOMERCINĖS PASKIRTIES ir gali būti naudojama viešbučiuose, mokyklose, ligoninėse, gamybose, parduotuvėse, biuruose ir kitose patalpose.
- Be priežiūros palikta mašina turi būti apsaugota nuo atsitiktinio judėjimo.
- Siekdami išvengti netinkamo įrenginio naudojimo, maitinimo šaltinis turi būti išjungtas arba užblokuotas.
- Kiekvieną kartą prieš naudodami mašiną kruopščiai ją patikrinkite. Prieš naudodamiesi mašina patikrinkite, ar visi mašinos elementai tinkamai sumontuoti. Atsilaisvinę mašinos elementai gali kelti pavojų žmonėms ir aplinkiniam turtui.
- Niekada netraukite mašinos paėmę už laido. Pasirūpinkite, kad mašinos laidas neeitu per uždaromą durų ar lango angą ir nesiliestų prie aštrių briaunų ar kampų. Nevažiuokite įrenginiu per laidą. Saugokite laidą nuo šilumos šaltinių.
- Prieš palikdami mašiną be priežiūros, būtinai ją išjunkite, taip sumažinsite gaisro, elektros smūgio ir sužeidimų pavojų.
- Mašiną naudokite ir laikykite tik sausose patalpose. Mašiną naudoti lauko sąlygomis draudžiama.
- Mašinos sandėliavimo ir darbinės temperatūros diapazonas – nuo 0 °C iki +40 °C, oro drėgmė turi būti nuo 30 % iki 95 %.
- Nenaudokite mašinos nuolydžiuose, statesniuose nei specifikacijoje parodytas didžiausias leistinas nuolydis.
- Naudodami ir tvarkydami grindų valymo priemones laikykitės priemonių etiketėse pateiktų nurodymų ir naudokite atitinkamas apsaugines pirštines ir kitas priemones.
- Mašinos gedimo atveju patikrinkite, ar tinkamai atlikti mašinos priežiūros darbai. Jei reikia, pagalbos kreipkitės į įgaliotąjį atstovą arba remonto centrą.

- Imkitės visų būtinų prevencinių priemonių, kad judančios mašinos dalys neįtrauktų jūsų ar kito asmens plaukų, papuošalų ir laisvų drabužių dalių.
- Labai dulkingoje aplinkoje mašinos nenaudokite.
- Neplaukite mašinos tiesiogine ir (arba) didelio spaudimo vandens srove ir (arba) koroziją sukeliančiomis priemonėmis.
- Būkite atsargūs ir su mašina neatsitrenkite į lentynas, pastolius ar kitus objektus, nuo kurių gali nukristi kokie nors objektai.
- Nestatykite ant mašinos jokių indų su skysčiais, naudokite specialiai tam skirtą laikiklį.
- Gaisro atveju gesinimui naudokite sausų miltelių gesintuvą. Nenaudokite skysčiais užpildytų gesintuvų.
- Nebandykite nuimti ar pakeisti prie mašinos pritvirtintų etikečių.
- Jei mašiną planuojate transportuoti žemos temperatūros aplinkoje, atkreipkite dėmesį į toliau pateiktas pastabas. Vanduo grąžinimo rezervuare ir žarnose gali užšalti ir rimtai pažeisti mašiną.
- Jei reikėtų pakeisti kokias nors mašinos dalis, atsargines ORIGINALIAS dalis užsisakykite iš įgaliotojo atstovo arba prekybininko.
- Jei mašina neveikia taip kaip reikia arba yra sugedusi, grąžinkite ją į techninės priežiūros centrą.
- Jei norite užtikrinti tinkamą ir saugų mašinos naudojimą, pasirūpinkite, kad įgaliotas darbuotojas arba tarpininkas, arba prekybininkas laiku vykdytų šioje instrukcijoje numatytus techninės priežiūros darbus.
- Ši mašina yra tik valymo įrenginys ir ji nėra skirta kitai paskirčiai.
- Pasirūpinkite, kad mašinos angos visuomet būtų švarios nuo dulkių, plaukų ar kitų objektų, galinčių trikdyti oro srautą. Jei nors viena mašinos anga yra užsikimšusi, mašinos nenaudokite.
- Mašiną naudokite tik gerai apšviestoje vietoje.
- Šią mašiną draudžiama naudoti vaikams ir asmenims neturintiems pakankamai darbo su tokia įranga patirties, ar turintiems fizinių, jutiminių ar protinių sutrikimų.
- Jei mašina naudojama šalia vaikų, būtina elgtis ypač atsargiai.
- Netoli mašinos esančius vaikus privalo prižiūrėti suaugusieji, kurie turi pasirūpinti, kad vaikai niekada nežaistų su mašina.
- Naudodami šią mašiną būkite atsargūs, nesužeiskite žmonių ir nepadarykite žalos aplinkiniams objektams.
- Valymo ir priežiūros darbus vaikams, be suaugusiųjų priežiūros, vykdyti draudžiama.
- Operatoriai turi būti tinkamai apmokyti naudotis šiomis mašinomis.
- Šiame prietaise yra įžeminimo jungtis tik funkciniais tikslais.
- Jei pažeistas maitinimo laidas, jį turi pakeisti gamintojas, jo techninės priežiūros atstovas arba tinkamai kvalifikuoti asmenys.
- Valydami arba prižiūrėdami, keisdami dalis arba keisdami įrenginio funkciją, atjunkite įrenginį nuo maitinimo lizdo

MAŠINOS APRAŠYMAS
MAŠINOS KONSTRUKCIJA

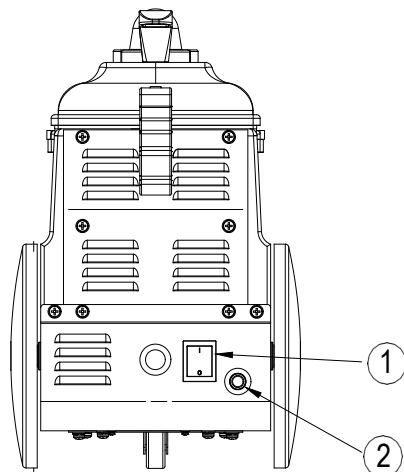


1 pav.

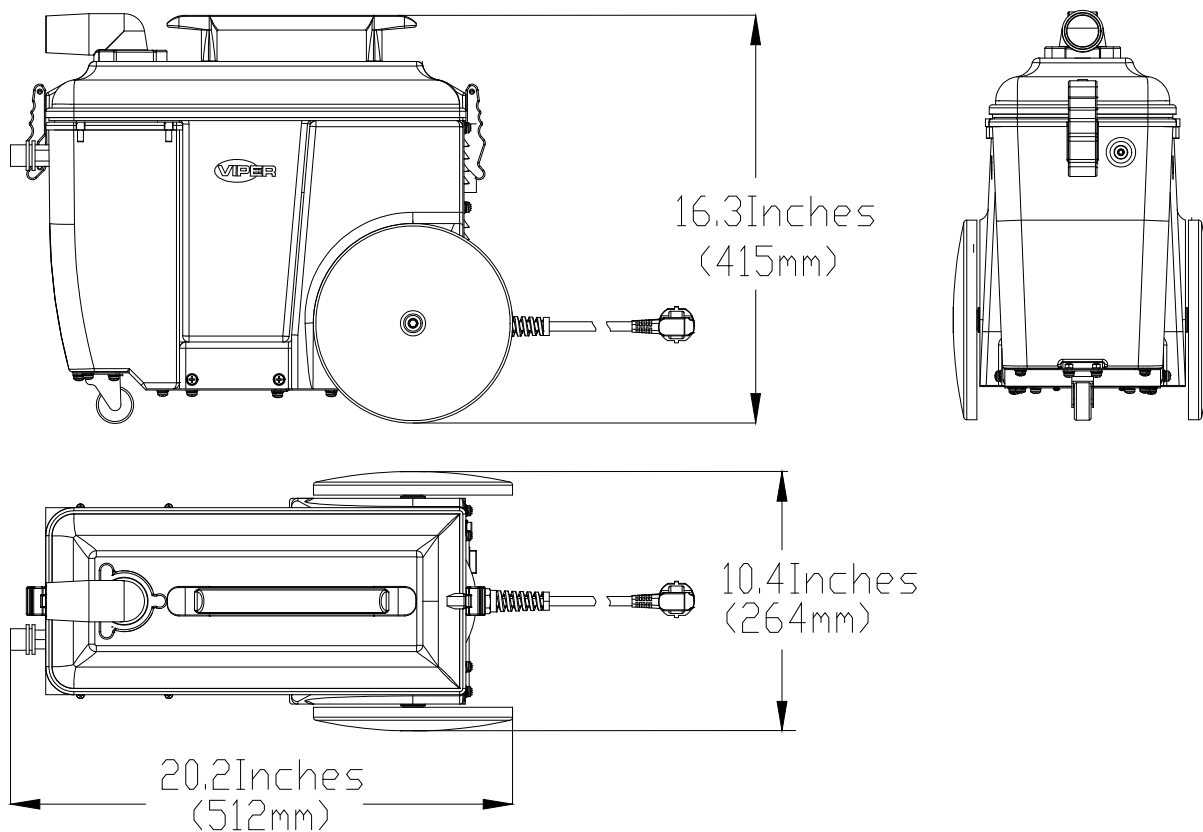
- | | |
|----------------------------|-----------------------------|
| 1. Tirpalo talpykla | 7. Tirpalo žarnos jungtis |
| 2. Surinkimo tapykla | 8. Siurbimo žarna |
| 3. Rankena | 9. Tirpalo žarna |
| 4. Transportavimo ratukai | 10. Rankinis įrankis |
| 5. Priekinis ratukas | 11. Spaustukas |
| 6. Siurbimo žarnos jungtis | 12. Mėlynasis priedų dėklas |

VALDYMO SKYDELIS

1. Maitinimo jungiklis
2. Apsauga nuo perkrovos



MAŠINOS DYDIS

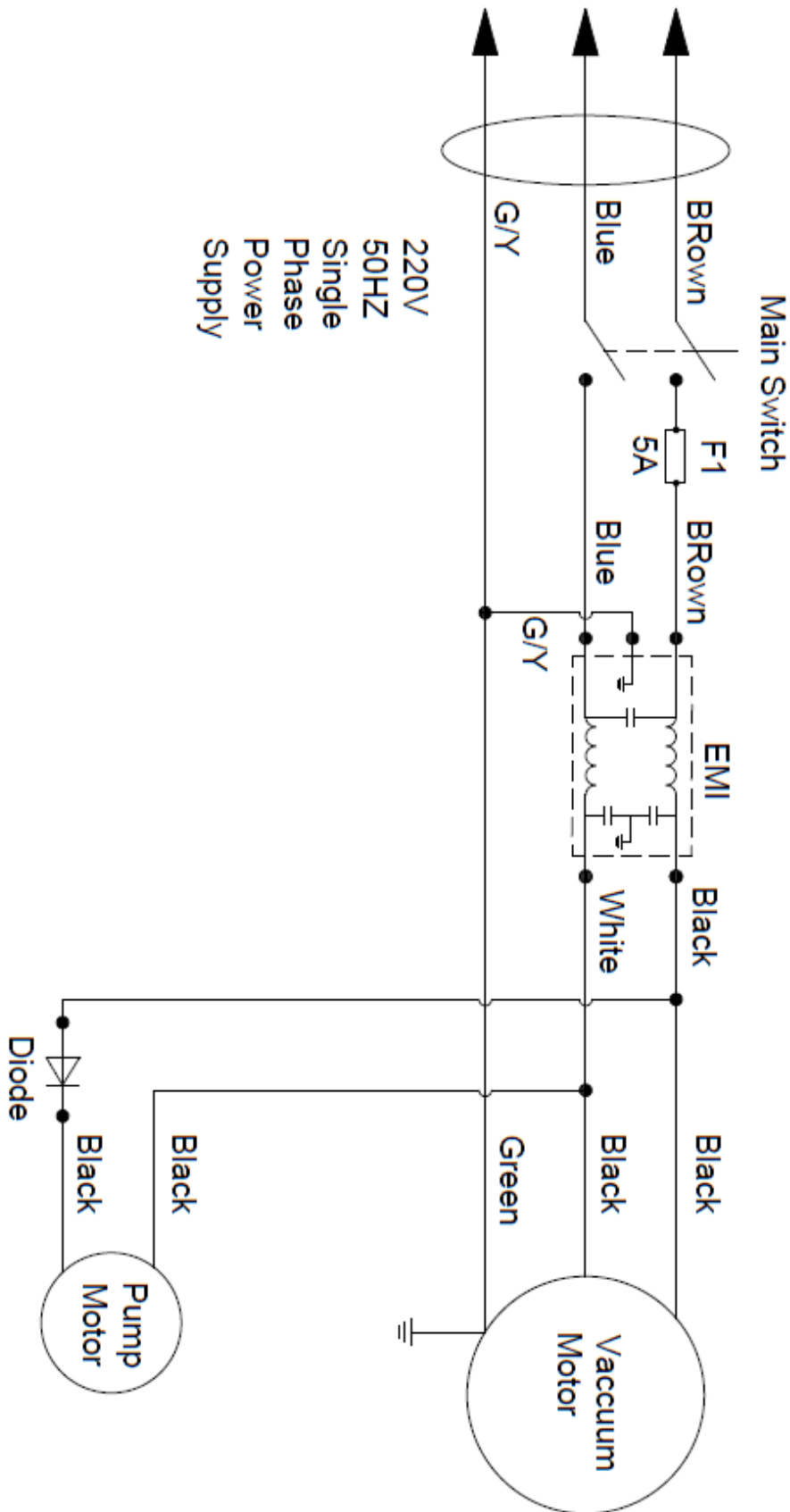


TECHNINIAI PARAMETRAI

Modeliai	EU	UK	TURKEY
Pagrindinis aprašymas	WOLF130		
Nuorodos Nr. Detalės kodas	50000589	50000604	50000603
Įtampa	220-240V		
Siurblio variklis	1000W		
Amperai	4.7 amp		
Svoris	9.85kg		
Pakuotės svoris	29.8svarai. (13.5 kg)		
Garso galios lygis	80 dB		
Triukšmo lygis	67 dB A		
Tirpalo siurbimo slėgis	30 Psi (2barai)		
Vandens talpa (maks. siurbimo)	85colių H2O (21.8kpa)		
Maitinimo kabelio ilgis (ft)	10 m, apsauginis oranžinis		
Valymo kelias (coliais)	4colių (10.2 cm)		
Tirpalo ir surinkimo talpykla (galonas)	3.8L		
Tirpalo ir siurbimo žarnų ilgis (ft)	3m		
Matmenys I x P x A	23.3 x 15.4 x 19.3colių (59 x 39 x 49 cm)		

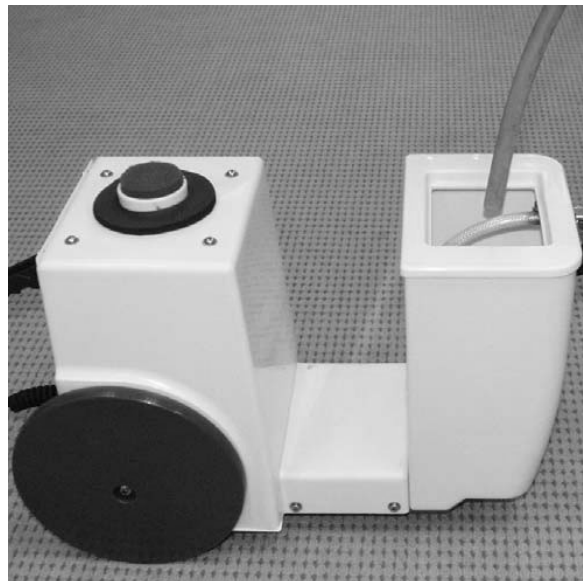
(*): Atskirai užsakomas priedas

SUJUNGIMŲ SCHEMA



NAUDOJIMO VADOVAS**Prieš pradėdami naudoti ar prižiūrėti mašiną, atidžiai perskaitykite naudotojo vadovą**

- 1) Žarną arba kibirą pripildykite ne daugiau kaip 1 galonu vandens (vandens temperatūra turi būti žemesnė nei 50 °C).

**Nenaudokite degių skysčių ir nenaudokite įrenginio šalia degių skysčių ar garų**

- 2) Prijunkite tirpalo žarną ir siurbimo žarną prie įrenginio.
- 3) Prijunkite maitinimo laidą prie įžeminto sieninio lizdo. (žr. įžeminimo instrukciją)

MAŠINOS NAUDOJIMAS**PRIEŠ DĖMIŲ ŠALINIMĄ**

- 1) Patikrinkite, ar nepažeistas maitinimo laidas. Jei radote pažeidimų, pakeiskite kabelį.
- 2) Išsiurbkite kilimą, kad pašalintumėte šiukšles prieš pradėdami valyti dėmę.

DĖMIŲ ŠALINIMAS

- 1) Nustatykite maitinimo jungiklį į padėtį „I“.
PASTABA: tirpalas bus purškiamas tik tada, kai patrauksite purškimo rankeną (ant rankinio įrankio).
- 2) Norėdami pradėti valyti, patraukite purškimo rankeną (rankinį įrankį) ir pradėkite traukti įrankį atgal per dėmę.
- 3) Atleiskite purškimo rankeną, kai pasieksite dėmės galą. Toliau traukite rankinį įrankį dar 4 colius, kad surinktumėte tirpalo perteklių.



- 4) Tęskite, kol pašalinsite dėmę.

NAUDOJIMO PATARIMAI

- 1) Naudokite tik vėsų vandenį. Karštas vanduo gali užtvirtinti dėmę.
- 2) Surinkimo talpykloje nuolat tikrinkite putų susidarymą. Naudokite platintojo rekomenduojamą kontroliuojamą putų tirpalą.
PASTABA: Per didelis putų kaupimasis sugadins siurblio variklį.
- 3) Pakartokite ištraukimo kelią labai išteptose vietose.
- 4) Kai nešvaraus tirpalo surinkimas baigiasi arba tirpalo bakas yra tuščias, turite ištuštinti surinkimo baką. (žr. TALPYKLOS IŠLEIDIMAS)

TALPYKLŲ IŠLEIDIMAS

TIRPALO BAKO IŠLEIDIMAS

- 1) Išjunkite įrenginį ir atjunkite nuo maitinimo šaltinio.
- 2) Atjunkite tirpalo ir vakuumines žarnas nuo mašinos priekio.
- 3) Atjunkite surinkimo bako spaustukus ir išimkite surinkimo baką iš mašinos.
- 4) Nuneškite tirpalo baką iki atitinkamos kanalizacijos ir išpilkite jo turinį.

SURINKIMO BAKO IŠLEIDIMAS

- 1) Išjunkite mašiną ir atjunkite nuo maitinimo šaltinio.
- 2) Atjunkite surinkimo bako spaustukus ir išimkite surinkimo baką iš mašinos.
- 3) Nuneškite surinkimo baką iki atitinkamos kanalizacijos ir išpilkite jo turinį.



- 4) Praplaukite surinkimo baką švariu vandeniu.
- 5) Įrenginio surinkimas iš naujo.

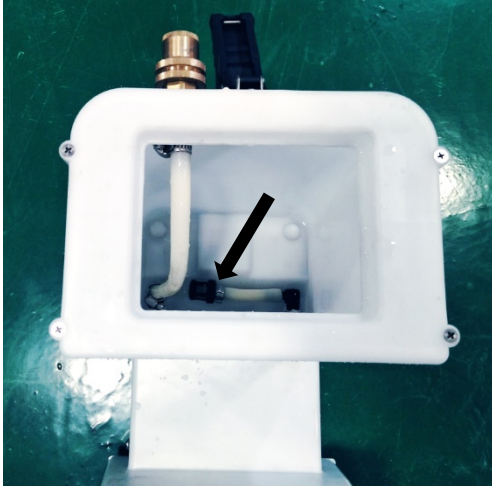
PRIEŽIŪRA

Norėdami, kad mašina gerai veiktų daugelį metų, atlikite šias techninės priežiūros procedūras.

!!! Prieš atlikdami bet kokią techninę priežiūrą arba remontą, visada įsitikinkite, kad mašina atjungta nuo maitinimo šaltinio !!!

KASDIENĖ PRIEŽIŪRA

- 1) Kai valymas yra baigtas, ištuštinkite ir kruopščiai išplaukite surinkimo baką švariu vandeniu.
- 2) Išpilkite likusį tirpalą iš tirpalo bako.
- 3) Nuimkite siurblio filtrą ir nuplaukite švariu vandeniu.
- 4) Filtrą įstatykite atgal, kai šis išdžius.



- 5) Nuimkite ir patikrinkite purkštuką. Jei reikia, išvalykite.

PASTABA: Nevalykite purkštuko smailiu daiktu, nes taip galite jį pažeisti.

- 6) Patikrinkite šepečio juostelę ir pašalinkite visas šiukšles arba kilimų pluoštus.
- 7) Patikrinkite nuimamą rankinį įrankį ir pašalinkite visas šiukšles arba kilimų pluoštus.
- 8) Mašiną valykite nebraižančiu valikliu.
- 9) Patikrinkite, ar maitinimo laidas nepažeistas. Jei reikia, pakeiskite.

MĖNESINĖ PRIEŽIŪRA

- 1) Nuplaukite siurbli ir vandens detales acto rūgšties tirpalu, kad pašalintumėte bet kokius cheminius likučius.
Maišymo instrukcija:
 - a. Sumaišykite 8 oz. acto rūgšties tirpalo su 1 galonu vandens ir supilkite į tirpalo baką.
 - Įjunkite siurblio / siurbimo mygtuką.
 - b. Uždėkite grindų įrankio galvutę ant grindų išleidimo antgalio ir traukite tirpalo gaiduką vieną (1) minutę.
 - c. Išjunkite mašiną ir palikite likusį tirpalą per naktį.
 - d. Kitą dieną išpurškite likusį tirpalą ir dar kartą perplaukite sistemą 1 galonu švaraus vandens.
- 2) Patikrinkite, ar mašinoje nėra vandens nuotėkio.
- 3) Patikrinkite, ar mašinoje nėra atsilaisvusių veržlių, varžtų ir poveržlių, ir, jei reikia, pakeiskite.

MAŠINOS LAIKYMAS

- 1) Prieš sandėliuodami mašiną, įsitinkinkite, kad tirpalo ir surinkimo bakai yra švarūs ir tušti.
- 2) Mašiną laikykite vertikaloje padėtyje, sausoje vietoje, nuimdami siurbimo oro cirkuliacijai.

PASTABA: Jei laikote mašiną tokioje vietoje, kur gali susidaryti ledas, įsitinkinkite, kad bakuose nėra vandens ir jie yra sausi!

PAGRINDINIS GEDIMŲ ŠALINIMAS

Gedimas	Galima priežastis	Veiksmai
Mašina neveikia	Neprijungta prie maitinimo šaltinio	Prijunkite prie įžeminto lizdo
	Sugedęs maitinimo laidas	Susisieki su platintoju
	Sugedęs ilgiklio laidas	Pakeiskite nauju ilgiklio laidu
	Suveikė pastato grandinės nutraukiklis	Atstatykite grandinės nutraukiklį
Neveikia tirpalo siurblys	Neįjungtas siurblio / siurbimo jungiklis	Įjunkite jungiklį
	Sugedęs siurblio / siurbimo jungiklis	Susisieki su platintoju
	Sugedęs solenoidas	Susisieki su platintoju
	Sugedęs tirpalo siurblys	Susisieki su platintoju
	Siurblys perkaito	Nustatykite priežastį ir palaukite 30 minučių, kol siurblys atvės
	Atsilaisvinusi arba nutrūkusi instaliacija	Susisieki su platintoju
Neveikia siurblio variklis	Neįjungtas siurblio / siurbimo jungiklis	Įjunkite jungiklį
	Sugedęs siurblio / siurbimo jungiklis	Susisieki su platintoju
	Suveikė siurblio variklio šiluminė perkrova	Patikrinkite, ar nėra kliūčių ir leiskite 30 minučių atvėsti
	Sugedęs vakuuminis variklis	Susisieki su platintoju
	Susidėvėjo angliniai šepetėliai	Susisieki su platintoju
	Atsilaisvinusi arba nutrūkusi instaliacija	Susisieki su platintoju
Prastas paėmimas	Aplink surinkimo tarpiklį nuteka oras	Įsitikinkite, kad surinkimo dangtis yra tvirtai uždėtas
	Pažeista arba susidėvėjusi siurblio tarpinė	Pakeiskite tarpiklį
	Atsilaisvinusios siurblio žarnos jungtys	Įsitikinkite, kad siurblio žarnos jungtys yra sandarios
	Sugedusi siurbiamoji žarna	Pakeiskite siurbimo žarną
	Atsilaisvino siurbimo žarnos antgaliai	Įsitikinkite, kad antgaliai pritvirtinti prie korpuso
	Siurblio žarna užsikimšusi	Pašalinkite kliūtis iš siurbimo žarnos
Netolygus purškimas arba jo nėra	Tirpalo bakas tuščias arba beveik tuščias	Užpildykite tirpalo baką
	Neįjungtas siurblio / siurbimo jungiklis	Įjunkite jungiklį
	Nešvarūs arba užsikimšę purškimo antgaliai	Išvalykite arba pakeiskite purškimo antgalius
	Netinkamas purškimo antgalio dydis arba purškimo kampas	Susisieki su platintoju
	Dėvėti purškimo antgaliai	Susisieki su platintoju
	Sugedęs tirpalo siurblys	Susisieki su platintoju
	Užsikimšęs tirpalo bako filtras	Išvalykite arba pakeiskite filtrą
	Užspausta arba sulenkta tirpalo žarna	Patikrinkite, ar nėra kliūčių ir vingių, ir prireikus pakeiskite kelią

GEDIMŲ ŠALINIMAS**UTILIZAVIMAS**

Pasirūpinkite, kad nenaudojamą mašiną utilizuotų kvalifikuota ir įgaliota atliekų šalinimo įmonė.

Prieš perduodami mašiną utilizavimui, išmontuokite ir atskirkite toliau nurodytus elementus, kuriems taikomi specialūs utilizavimo reikalavimai.

- Šepečio / šveitimo pado laikiklis
- Plastikinė žarna ir plastikinės dalys
- Elektriniai ir elektroniniai elementai (*)

(*) Dėl elektrinių ir elektroninių elementų utilizavimo susisiekite su mūsų remonto centru.

Mašinos medžiagos ir jų perdirbimas

Tipas	Perdirbamų medžiagų procentas	WOLF130 % nuo svorio
Įvairūs elektriniai varikliai	20%	22%
Metalai	80%	20%
Laidai	80%	1%
Skysčiai	100%	0%
Neperdirbamas plastikas	0%	1%
Perdirbamas plastikas	100%	45%
Guma	20%	1%

IEVADS**PIEZĪME**

Skaitļi iekavās attiecas uz komponentiem, kas redzami sadaļā **Mašīnas apraksts**.

ROKASGRĀMATAS MĒRĶIS UN SATURS

Šīs lietošanas instrukcijas mērķis ir sniegt operatoram visu pamatinformāciju un tehniskos parametrus par mašīnas darbību, mašīnas neaktivitāti, rezerves detaļām un drošības nosacījumiem utt.

Operatoriem un kvalificētiem tehniķiem, pirms ekspluatācijas uzsākšanas, jāizlasa Lietošanas instrukcijas rokasgrāmata. Sazinieties ar mūsu uzņēmumu, ja rodas šaubas par instrukciju interpretāciju vai papildu informāciju.

KĀ UZGLABĀT ŠOLIETOŠANAS INSTRUKCIJU

Lietošanas instrukcija jāglabā netālu no mašīnas, piemērotā korpusa iekšpusē, prom no šķidrumiem un citām vielām, kas to var sabojāt.

ATBILSTĪBAS DEKLARĀCIJA

Atbilstības deklarācija tiek piegādāta kopā ar mašīnu, un tā apliecina mašīnas atbilstību spēkā esošajai likumdošanai.

**PIEZĪME**

Oriģinālās atbilstības deklarācijas kopijas tiek piegādātas kopā ar mašīnas dokumentāciju.

PIEDERUMI UN APKOPE

Visas nepieciešamās ekspluatācijas, apkopes un remonta procedūras jāveic kvalificētam personālam, mūsu uzņēmuma nozīmētam apkopes centram. Atļauts izmantot TIKAI oriģinālās vai apstiprinātās rezerves daļas un piederumus.

Sazinieties ar mūsu uzņēmuma klientu apkalpošanas dienestu, lai veiktu jebkādu apkopi vai piederumu vai rezerves daļu iegādi.

IZMAIŅAS UN UZLABOŠANA

Mēs esam apņēmušies nepārtraukti uzlabot savus produktus, un uzņēmums patur tiesības veikt izmaiņas mašīnā un uzlabojumus bez papildu informācijas.

IZMANTOŠANAS JOMA

Šī mašīna ir paredzēta komerciālai lietošanai. Tā ir paredzēta lietošanai iekštelpās un nav paredzēta citam pielietojumam. Izmantojiet tikai ieteiktos piederumus.

MAŠĪNAS IDENTIFIKĀCIJAS DATI

Mašīnas sērijas numurs un modeļa nosaukums ir norādīti uz sērijas etiķetes.

Šī informācija ir noderīga. Izmantojiet šo tabulu, lai pierakstītu mašīnas identifikācijas datus, kad pieprasāt mašīnai rezerves detaļas.

MAŠĪNAS MODELIS

MAŠĪNAS SĒRIJAS NUMURS

TRANSPORTS UN IEPAKOJUMS

Rūpīgi pārbaudiet, vai transportēšanas kastē nav bojājumu pazīmju. Nekavējoties ziņojiet pārvadātājam par visiem kastes bojājumiem.

Pārbaudiet kastes saturu, lai pārliecinātos, ka kastē atrodas viss paredzētais. Ja kaut kas trūkst, sazinieties ar izplatītāju.

Saturs:

- Paklāja tīrītājs
- Vakuuma un šķīduma šļūtenes
- Rokas instruments

DROŠĪBA

Šie simboli norāda uz potenciāli bīstamām situācijām. Vienmēr uzmanīgi izlasiet šo informāciju un veiciet visus nepieciešamos piesardzības pasākumus, lai aizsargātu cilvēkus un īpašumu.

UZ MAŠĪNAS REDZAMIE SIMBOLI**BRĪDINĀJUMS!**

Pirms mašīnas ekspluatācijas uzsākšanas izlasiet visas instrukcijas.

**BRĪDINĀJUMS!**

Nemazgājiet mašīnu zem spiediena vai ar tiešām ūdens strūklām.

SIMBOLI, KAS REDZAMI LIETOŠANAS INSTRUKCIJĀ**BĪSTAMI!**

Tas norāda uz bīstamu situāciju ar operatora nāves risku.

**BRĪDINĀJUMS!**

Tas norāda uz iespējamu traumu risku cilvēkiem.

**UZMANĪBU!**

Tas norāda uz piesardzību vai piezīmi, kas saistīta ar svarīgām vai noderīgām funkcijām. Pievērsiet uzmanību rindkopām, kuras apzīmētas ar šo simbolu.

**PIEZĪME**

Tas norāda uz piezīmi, kas saistīta ar svarīgām vai noderīgām funkcijām.

**KONSULTĀCIJA**

Tas norāda uz nepieciešamību pirms jebkuras procedūras veikšanas iepazīties ar Lietošanas instrukcijas rokasgrāmatu.

VISPĀRĪGĀS DROŠĪBAS INSTRUKCIJA

Vispārīgi - Šai paklāja tīrīšanas mašīnai lietošanas laikā jābūt sazemētai, lai pasargātu operatoru no strāvas triecienu. Mašīna ir aprīkota ar trīs kontaktu zemējuma tipa kontaktdakšu, kas piemērota pareiza zemējuma tipa kontaktligzdai. Vadā esošs zaļš (vai zaļš ar dzeltenu) vads ir zemējuma vads. Nekad nepievienojiet šo vadu nekam citam kā tikai kontaktdakšas zemējuma kontaktam.

Šī mašīna ir paredzēta lietošanai nominālā 220–240 voltu ķēdē, un tai ir zemējuma kontaktdakša, kas atgādina zemāk esošajā attēlā redzamo kontaktdakšu. Pārliedzieties, ka mašīna tiek pievienota tādas pašas konfigurācijas kontaktligzdai kā kontaktdakša. Ar šo mašīnu nedrīkst izmantot adapteri.

Zemāk ir parādīti īpaši brīdinājumi un piesardzības pasākumi, lai informētu par iespējamu kaitējumu cilvēkiem un mašīnām.

**BĪSTAMI!**

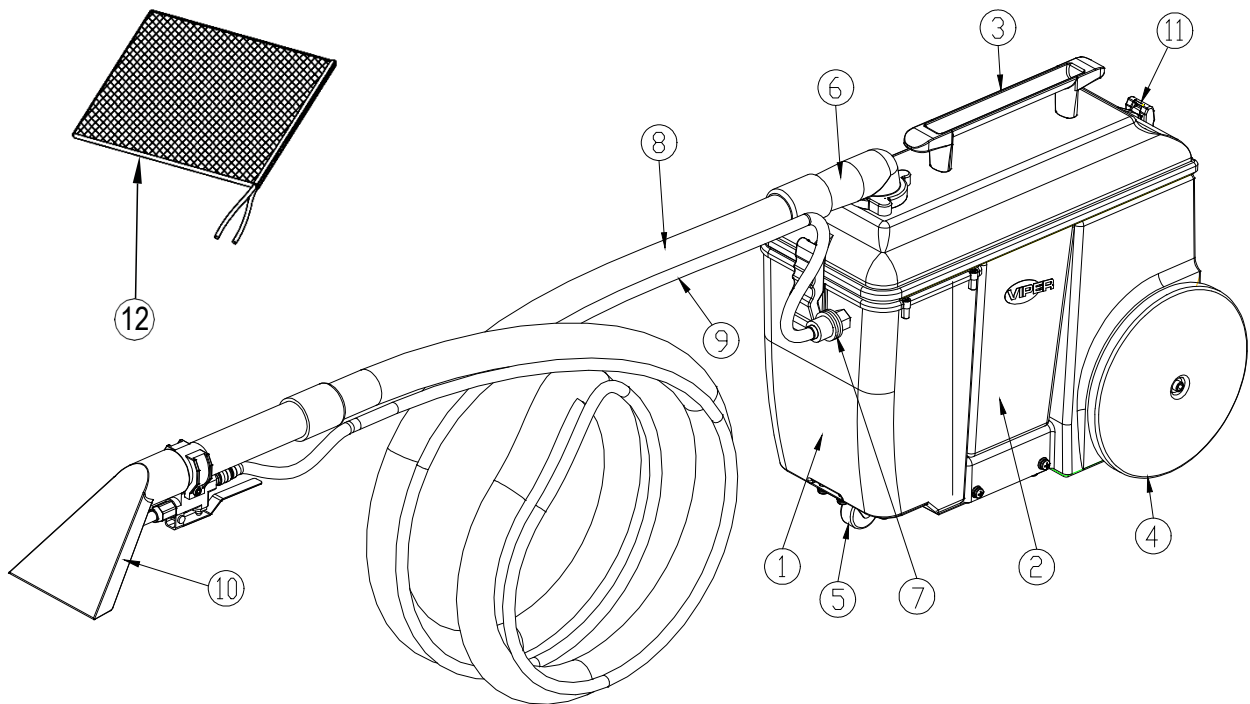
- Saskaņā ar rokasgrāmatu, ar šo mašīnu jāstrādā apmācītam un pilnvarotam personālam.
- Pirms veicat tīrīšanas, apkopes, remonta vai nomaiņas procedūras, uzmanīgi izlasiet visus norādījumus, pārliedzieties, ka mašīna ir izslēgta.
- Nedarbiniet mašīnu toksisku, bīstamu, viegli uzliesmojošu un/vai sprādzienbīstamu pulveru, šķidrumu vai tvaiku tuvumā. Šī mašīna nav piemērota bīstamu pulveru savākšanai.
- Nevalkājiet rotaslietas, strādājot tuvu elektriskajiem komponentiem.
- Nestrādājiet zem paceltās mašīnas, neatbalstot to ar drošības stendiem.

**BRĪDINĀJUMS!**

- Šī mašīna ir paredzēta KOMERCIĀLAI LIETOŠANAI, piemēram, viesnīcās, skolās, slimnīcās, rūpnīcās, veikalos, birojos un nomas uzņēmumos.
- Mašīnas, kuras atstāj bez uzraudzības, ir jānodrošina pret nejaušu pārvietošanos.
- Lai novērstu mašīnas neatļautu izmantošanu, strāvas avotu jāatslēdz vai jābloķē.
- Pirms katras lietošanas rūpīgi pārbaudiet mašīnu. Pirms lietošanas pārliedzieties, vai visas sastāvdaļas ir saliktas pareizi. Vaļīgās detaļas var radīt kaitējumu cilvēkiem un īpašumam.
- Nekad nepārvietojiet mašīnu, velkot aiz kabeļa. Neizlaidiet kabeli caur aizvērtām durvīm un nevelciet kabeli ap asām malām vai stūriem. Nebrauciet ar mašīnu pāri kabelim. Turiet kabeli prom no apsildāmām virsmām.
- Lai samazinātu ugunsgrēka, elektriskās strāvas triecienu vai ievainojumu risku, pirms darba vietas atstāšanas pārliedzieties, ka mašīna ir izslēgta.
- Izmantojiet vai uzglabājiet mašīnu telpās sausos apstākļos. To nav atļauts izmantot ārpus telpām.
- Mašīnas uzglabāšanas un darba temperatūrai jābūt no 0° C līdz +40° C, gaisa mitrumam jābūt no 30% līdz 95%.
- Nelietojiet mašīnu nogāzēs ar slīpumu, kas pārsniedz norādītās specifikācijas.
- Izmantojot un rīkojoties ar grīdas tīrīšanas līdzekļiem, ievērojiet instrukcijas uz mazgāšanas līdzekļu pudeļu etiķetēm un valkājiet piemērotus cimdus un citas aizsargierīces.
- Mašīnas darbības traucējumu gadījumā pārliedzieties, ka tie nav radušies apkopes trūkuma dēļ. Ja nepieciešams, lūdziet palīdzību pilnvarotajam personālam vai pilnvarotajam servisa centram.

- Veiciet visus nepieciešamos piesardzības pasākumus, lai matus, rotaslietas un vaļīgās drēbes neieķertos mašīnas kustīgajās detaļās.
- Nelietojiet mašīnu īpaši putekļainās vietās.
- Nemazgājiet mašīnu zem spiediena vai ar tiešām ūdens strūklām, vai ar kodīgām vielām.
- Neietriecieties plauktos vai sastatnēs, it īpaši vietās, kur pastāv risks nokrist priekšmetiem.
- Nenovietojiet šķidrums tvertnes uz mašīnas, izmantojiet atbilstošo tvertņu turētāju.
- Ugunsgrēka gadījumā izmantojiet sauso ugunsdzēsšanas pulveri. Nelietojiet šķidros ugunsdzēsamos aparātus.
- Nenoņemiet un neizmainiet mašīnas uzlīmes.
- Mašīnas transportēšanas laikā pievērsiet īpašu uzmanību, kad temperatūra ir zemāka par sasalšanas temperatūru. Ūdens rekuperācijas tvertnē, un šļūtenēs, var sasalst un nopietni sabojāt mašīnu.
- Ja rezerves daļas ir jāmaina, pasūtiet ORIGINĀLĀS rezerves daļas pie pilnvarota izplatītāja vai mazumtirgotāja.
- Nododiet mašīnu servisa centrā, ja tā nedarbojas kā parasti vai ir bojāta.
- Lai nodrošinātu mašīnas pareizu un drošu darbību, pilnvarotajam personālam vai pilnvarotajam dīlerim vai mazumtirgotājam jāveic plānoto apkopi, kas norādīta šīs rokasgrāmatas attiecīgajā nodaļā.
- Šī mašīna ir vienīgi tīrīšanas instruments, un nav paredzēta nekādiem citiem mērķiem.
- Vienmēr pārliecinieties, ka atverēs nav putekļu, matiņu un citu svešķermeņu, kas varētu apgrūtināt gaisa plūsmu. Nelietojiet mašīnu, ja atveres ir aizsērējušas.
- Izmantojiet mašīnu tikai tad, ja ir nodrošināts atbilstošs apgaismojums.
- Šī mašīna nav paredzēta lietošanai personām (ieskaitot bērnus) ar ierobežotām fiziskām, maņu vai garīgajām spējām, vai pieredzes un zināšanu trūkumu.
- Ja to lieto bērnu tuvumā, nepieciešama īpaša uzmanība.
- Bērni jāuzrauga, lai viņi nespēlētos ar mašīnu.
- Šīs mašīnas lietošanas laikā uzmanieties, lai netraumētu cilvēkus vai nesabojātu priekšmetus.
- Tīrīšanu un apkopi bērni nedrīkst veikt bez uzraudzības.
- Operatoriem saņems atbilstošas instrukcijas par šo mašīnu lietošanu.
- Zemējums šajā ierīcē ir tikai funkcionāliem mērķiem.
- Ja barošanas vads ir bojāts, lai izvairītos no apdraudējuma, to jānomaina ražotājam, tā servisa pārstāvim vai līdzīgi kvalificētām personām.
- Kontaktdakšu jāizņem no kontaktligzdas tīrīšanas vai apkopes laikā, kā arī nomainot detaļas vai pārveidojot mašīnu citai funkcijai.

MAŠĪNAS APRAKSTS
MAŠĪNAS KONSTRUKCIJA

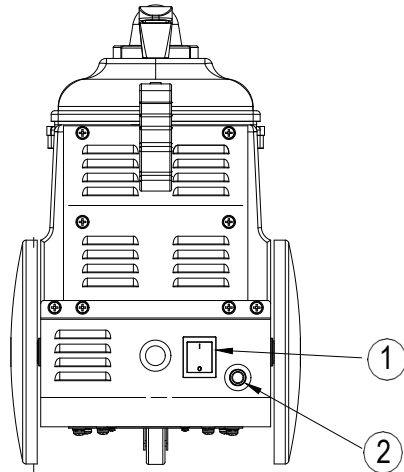


1. attēls

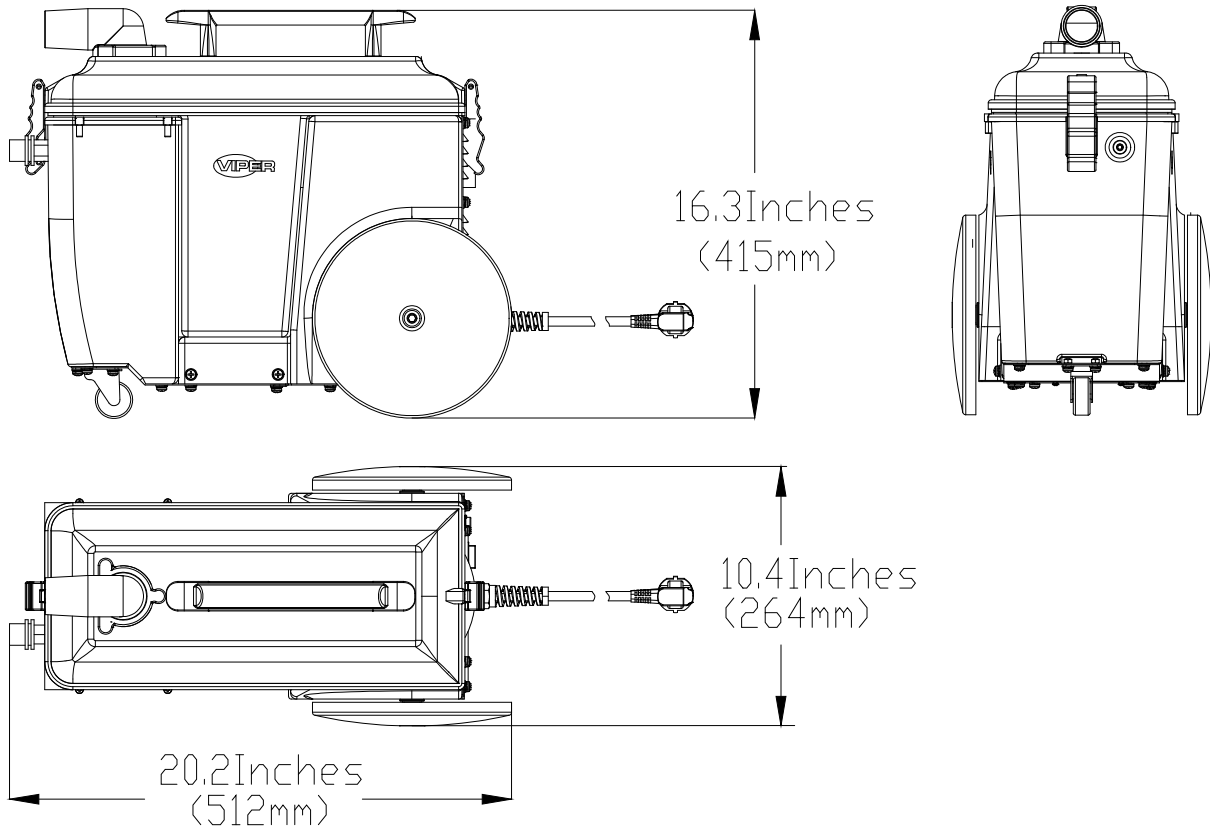
- | | |
|---------------------------------|---------------------------------|
| 1. Šķīduma tvertne | 7. Šķīduma šļūtenes savienojums |
| 2. Savākšanas tvertne | 8. Vakuuma šļūtene |
| 3. Rokturis | 9. Šķīduma šļūtene |
| 4. Pārvietošanās riteņi | 10. Rokas instruments |
| 5. Priekšējais ritentiņš | 11. Skava |
| 6. Vakuuma šļūtenes savienojums | 12. Zila piederumu soma |

VADĪBAS PANELIS

1. Strāvas slēdzis
2. Pārslodzes aizsargs



MAŠĪNAS IZMĒRS

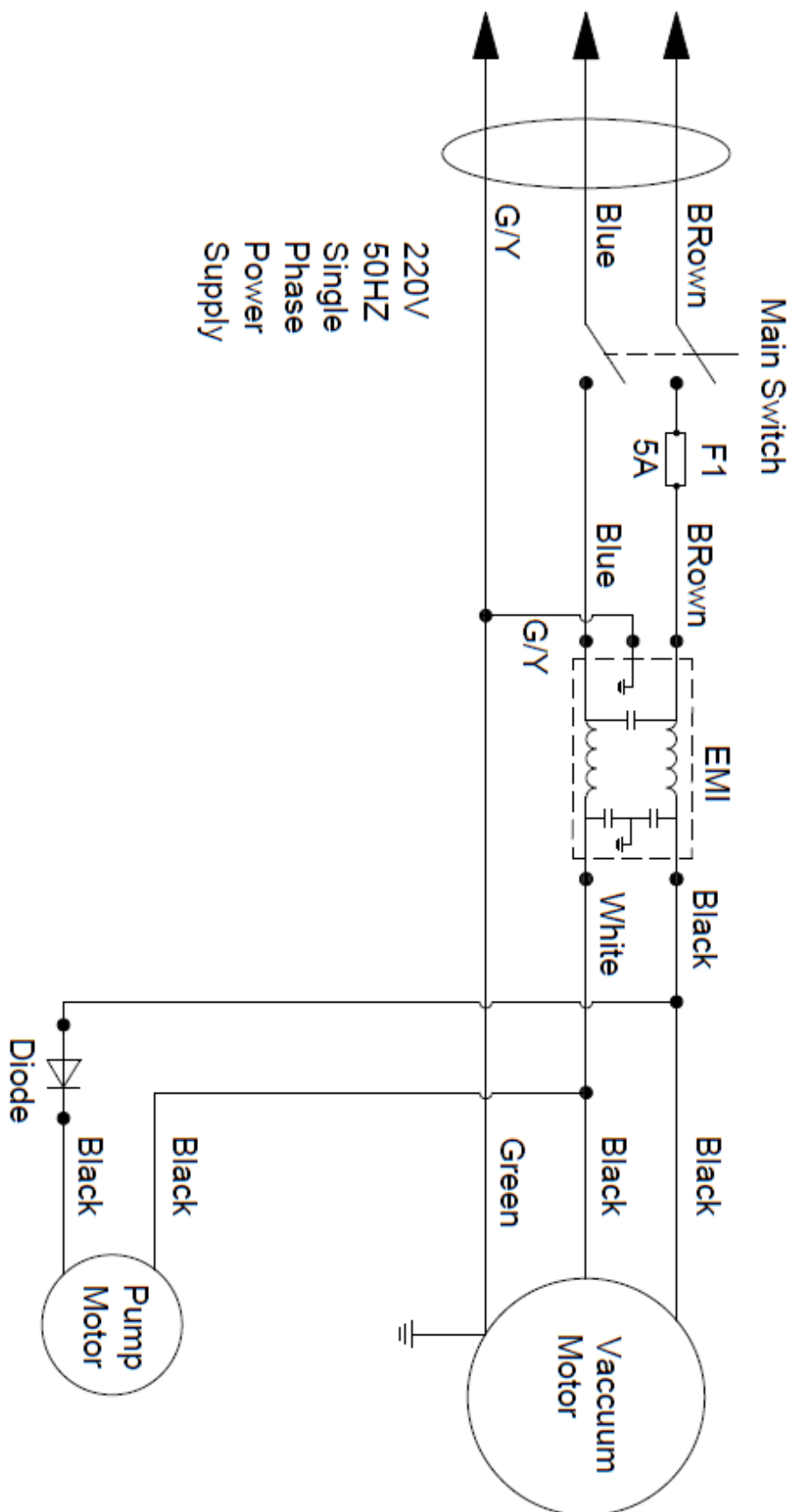


TEHNISKIE PARAMETRI

Modeļi	EU	UK	TURKEY
Pamata apraksts	WOLF130		
Atsauces Nr. Krājuma kods	50000589	50000604	50000603
Spriegums	220-240V		
Vakuuma motors	1000W		
Amp stiprums	4.7 ampēri		
Svars	9.85kg		
Sūtījuma svars	29.8mārciņas (13.5 kg)		
Skaņas stipruma līmenis	80 dB		
Skaņas spiediena līmenis	67 dB A		
Šķīduma sūkņa spiediens	30 Psi (2bāri)		
Ūdens pacelšana (maksimālais vakuums)	85collas H ₂ O (21.8kpa)		
Barošanas kabelis	10 m, drošības oranžs		
Tīrīšanas ceļš, collas	4" (10.2 cm)		
Šķīduma un savākšanas tvertnes tilpums	3.8L		
Šķīduma un vakuuma šļūtenes	3m		
Izmēri G x P x A	23.3 x 15.4 x 19.3collas (59 x 39 x 49 cm)		

(*): Papildus

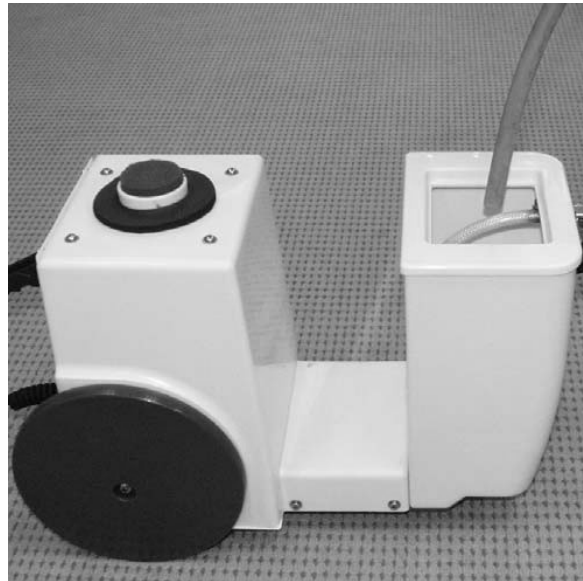
ELEKTROINSTALĀCIJAS SHĒMA



LIETOŠANAS INSTRUKCIJA

Pirms šīs mašīnas lietošanas vai apkopes rūpīgi izlasiet lietotāja rokasgrāmatu.

- 1) Izmantojot šļūteni vai spaini, iepildiet tvertnē ne vairāk kā 1 galonu ūdens (ūdens temperatūra mazāka par 50 °C).



Neizmantojiet viegli uzliesmojošus šķidrumus un nedarbiniet mašīnu viegli uzliesmojošu šķidrumu vai tvaiku tuvumā.

- 2) Pievienojiet šķīduma šļūteni un vakuuma šļūteni mašīnai.
- 3) Pievienojiet strāvas kabeli sazemētai sienas kontaktligzdai. (skatīt zemēšanas instrukcijas)

MAŠĪNAS DARBĪBA**PIRMS TRAIPU TĪRĪŠANAS**

- 1) Pārbaudiet, vai strāvas kabelis nav bojāts. Ja tiek konstatēti bojājumi, nomainiet kabeli.
- 2) Iztīriet paklāju ar putekļu sūcēju, lai notīrītu gružus pirms traipa izņemšanas.

TRAIPU IZŅEMŠANA

- 1) Novietojiet barošanas slēdzi pozīcijā "I".
PIEZĪME: Šķīdums tiks izsmidzināts tikai tad, kad nospiests smidzināšanas rokturis (uz rokas instrumenta).
- 2) Lai sāktu tīrīšanu, nospiediet izsmidzināšanas rokturi (rokas instrumentu) un sāciet vilkt instrumentu pāri traipam atpakaļ virzienā.
- 3) Kad sasniegts traipa gals, atlaidiet izsmidzināšanas rokturi. Turpiniet vilkt rokas instrumentu atpakaļ vēl 4 collas, lai savāktu lieko šķīdumu.



- 4) Turpiniet, līdz traips ir izņemts.

PADOMI DARBAM

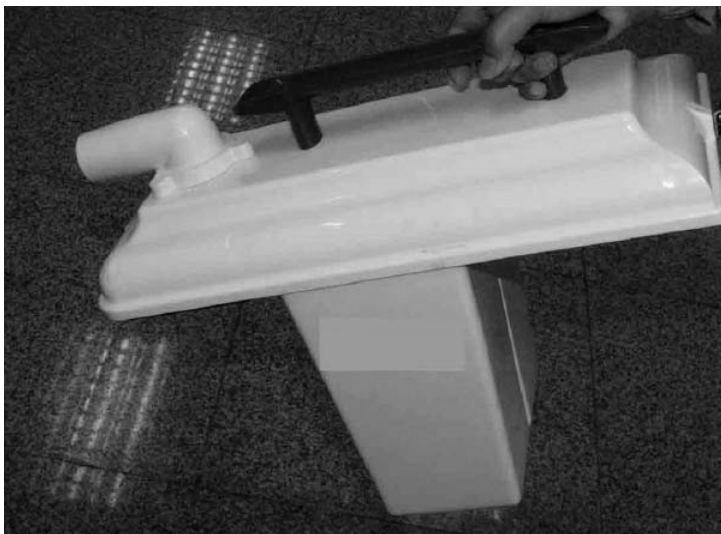
- 1) Izmantojiet tikai vēsu ūdeni. Karsts ūdens var radīt traipus.
- 2) Pastāvīgi pārbaudiet, vai savākšanas tvertnē neveidojas putas. Izmantojiet izplatītāja ieteikto putu kontroles šķīdumu.
PIEZĪME: Pārmērīga putu veidošanās var sabojāt vakuuma motoru.
- 3) Atkārtoti apstrādājiet izņemšanas ceļu stipri piesārņotās vietās.
- 4) Kad netīrā šķīduma savākšana pabeigta vai šķīduma tvertne ir tukša, jums jāiztukšo savākšanas tvertni. (skatīt TVERTNES IZTUKŠOŠANA)

TVERTŅU IZTUKŠOŠANA**ŠĶĪDUMA TVERTNES IZTUKŠOŠANA**

- 1) Izslēdziet mašīnu un atvienojiet to no strāvas avota.
- 2) Atvienojiet šķīduma un vakuuma šļūtenes no mašīnas priekšpusēs.
- 3) Atvienojiet savākšanas tvertnes skavas un noņemiet savākšanas tvertni no mašīnas.
- 4) Aiznesiet šķīduma tvertni līdz notekcaurulei un izlejiet saturu.

SAVĀKŠANAS TVERTNES IZTUKŠOŠANA

- 1) Izslēdziet mašīnu un atvienojiet to no strāvas avota.
- 2) Atvienojiet savākšanas tvertnes skavas un noņemiet savākšanas tvertni no mašīnas.
- 3) Aiznesiet savākšanas tvertni līdz notekcaurulei un izlejiet saturu.



- 4) Izskalojiet savākšanas tvertni ar tīru ūdeni.
- 5) Atkal salieciet mašīnu.

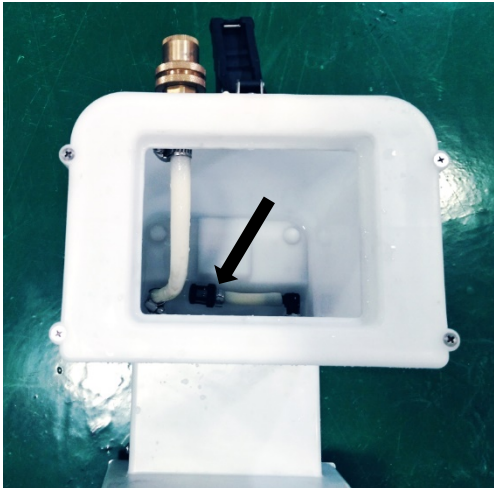
APKOPE

Lai mašīna labi darbotos daudzus gadus, lūdzu, ievērojiet šādas apkopes procedūras.

!!! Pirms apkopes vai remonta vienmēr pārlicinieties, ka mašīna ir atvienota no strāvas!

IKDIENAS APKOPE

- 1) Kad tīrīšanas darbs dienā ir pabeigts, iztukšojiet un rūpīgi izskalojiet savākšanas tvertni ar tīru ūdeni.
- 2) Izlejiet atlikušo šķīdumu no šķīduma tvertnes.
- 3) Noņemiet vakuuma filtru un noskalojiet ar tīru ūdeni.
- 4) Nomainiet filtru, kad tas izžuvis.



- 5) Noņemiet un pārbaudiet izsmidzināšanas sprauslu. Ja nepieciešams, iztīriet sprauslu.

PIEZĪME: Netīriet sprauslu ar smailu priekšmetu, jo tas sabojās sprauslas.

- 6) Pārbaudiet sukas sloksni un noņemiet visus gružus vai paklāja šķiedras.
- 7) Pārbaudiet rokas instrumenta savākšanas galvu un noņemiet visus gružus vai paklāja šķiedras.
- 8) Tīriet mašīnu ar neabrazīvu tīrīšanas līdzekli.
- 9) Pārbaudiet, vai strāvas kabelim nav bojājumu. Ja nepieciešams, nomainiet.

IKMĒNEŠA APKOPE

- 1) Noskalojiet sūkni un piederumus ar etiķskābes šķīdumu, lai izšķīdinātu ķīmikāliju uzkrājumu.
Maisīšanas instrukcijas:
 - a. Iepriekš sajauciet 8 unces etiķskābes šķīduma ar 1 galonu ūdens un ielejiet šķīduma tvertnē.
 - Ieslēdziet vakuuma / sūkņa slēdzi.
 - b. Novietojiet grīdas instrumenta galvu virs grīdas notekas un nospiediet šķīduma sprūdu uz vienu (1) minūti.
 - c. Izslēdziet mašīnu un ļaujiet atlikušajam šķīdumam palikt mašīnā pa nakti.
 - d. Nākamajā dienā izsmidziniet atlikušo šķīdumu un vēlreiz izskalojiet sistēmu ar 1 galonu tīra ūdens.
- 2) Pārbaudiet, vai mašīnā nav ūdens noplūdes.
- 3) Pārbaudiet, vai mašīnā nav vaļīgu vai trūkstošu uzgriežņu un skrūvju, un pēc vajadzības nomainiet.

MAŠĪNAS UZGLABĀŠANA

- 1) Pirms mašīnas uzglabāšanas pārliecinieties, ka šķīduma un savākšanas tvertnes ir tīras un tajās nav šķīduma.
- 2) Glabājiet mašīnu vertikālā stāvoklī sausā vietā, ar noņemtu vakuuma šļūteni, lai gaiss cirkulētu.

PIEZĪME: Ja mašīnu uzglabājat vietā, kur var sasalt, pārliecinieties, ka no abām tvertnēm un šķīduma caurulēm iztukšots viss ūdens un tās ir sausas!

PAMATA PROBLĒMU RISINĀŠANA

Problēma	Iespējamie cēloņi	Risinājums
Mašīna nedarbojas	Nav pieslēgta strāvas avotam	Pievienojiet iezemētai kontaktligzdai
	Bojāts barošanas kabelis	Sazinieties ar izplatītāju
	Bojāts pagarinātāja barošanas kabelis	Nomainiet pret jaunu pagarinātāju
	Nostrādājis ēkas automātiskais drošinātājs	Atiestatiet automātisko drošinātāju
Šķīduma sūknis nedarbojas	Vakuuma / sūkņa slēdzis nav ieslēgts	Ieslēdziet slēdzi
	Bojāts vakuuma / sūkņa slēdzis	Sazinieties ar izplatītāju
	Bojāts elektromagnēts	Sazinieties ar izplatītāju
	Bojāts šķīduma sūknis	Sazinieties ar izplatītāju
	Sūknis ir pārkaris	Nosakiet cēloni un ļaujiet sūknim atdzist 30 minūtes
	Valīgi vai pārrauti vadi	Sazinieties ar izplatītāju
Vakuuma motors nedarbojas	Vakuuma / sūkņa slēdzis nav ieslēgts	Ieslēdziet slēdzi
	Bojāts vakuuma / sūkņa slēdzis	Sazinieties ar izplatītāju
	Nostrādā vakuuma motora termiskās pārslodzes slēdzis	Pārbaudiet, vai nav šķēršļu, un ļaujiet 30 minūtes atdzist
	Bojāts vakuuma motors	Sazinieties ar izplatītāju
	Nodilušas oglekļa sukas	Sazinieties ar izplatītāju
	Valīgi vai pārrauti vadi	Sazinieties ar izplatītāju
Slikta savākšana	Ap savākšanas blīvi izplūst gaiss	Pārlicinieties, ka savākšanas vāks ir cieši pievilkt
	Vakuuma blīve ir bojāta vai nodilusi	Nomainiet blīvi
	Vakuuma šļūtenes savienojumi ir valīgi	Pārlicinieties, ka vakuuma šļūtenes savienojumi ir cieši
	Bojāta vakuuma šļūtene	Nomainiet vakuuma šļūteni
	Valīgas vakuuma šļūtenes manšetes	Pārlicinieties, vai manšetes ir piestiprinātas pie korpusa
	Vakuuma šļūtene ir aizsērējusi	Izņemiet aizsērējumus no vakuuma šļūtenes
Nevienmērīga izsmidzināšana vai tās nav	Šķīduma tvertne ir tukša vai līmenis tajā ir zems	Piepildiet šķīduma tvertni
	Vakuuma / sūkņa slēdzis nav ieslēgts	Ieslēdziet slēdzi
	Nefīri vai aizsprostoti izsmidzināšanas uzgaļi	Notīriet vai nomainiet izsmidzināšanas uzgaļus
	Nepareizs izsmidzināšanas uzgaļa izmērs vai izsmidzināšanas leņķis	Sazinieties ar izplatītāju
	Nodiluši izsmidzināšanas uzgaļi	Sazinieties ar izplatītāju
	Bojāts šķīduma sūknis	Sazinieties ar izplatītāju
	Aizsērējis šķīduma tvertnes filtrs	Iztīriet vai nomainiet filtru
	Sadurta vai saspiesta šķīduma šļūtene	Pārbaudiet, vai nav šķēršļu un saliekumu, un, ja nepieciešams, pārkārtojiet vai nomainiet

PROBLĒMU NOVĒRŠANA**NODOŠANA METĀLLŪŽŅOS**

Nododiet mašīnu kvalificētā atkritumu apstrādes iestādē.

Pirms mašīnu nodod metāllūžņos, lūdzu, noņemiet un nodaliet uzskaitītās lietas, kuru pareizu likvidāciju regulē likumi un citi noteikumi.

- Suku/palikņa turētājs
- Plastmasas šļūtene un plastmasas detaļas
- Elektriskās un elektroniskās detaļas (*)

(*) Lūdzu, sazinieties ar mūsu uzņēmuma servisa centru, kad plānojat likvidēt visas elektriskās un elektroniskās detaļas.

Mašīnas materiālu sastāvs un pārstrādājamība

Tips	Pārstrādājamības pro- cents	WOLF130 svara procents%
Elektrodzinēji - dažādi	20%	22%
Melnie materiāli	80%	20%
Elektroinstalācija	80%	1%
Šķidrums	100%	0%
Nepārstrādājams materiāls no plast- masas	0%	1%
Pārstrādājams materiāls no plastmasas	100%	45%
Gumija	20%	1%

INLEIDING



OPMERKING

De cijfers tussen haakjes verwijzen naar de onderdelen weergegeven in het hoofdstuk over de Machinebeschrijving.

DOEL VAN DE GIDS EN INHOUD

In deze gebruiksaanwijzing vindt de gebruiker alle basisinformatie en technische kenmerken, de werking, de stilstand van de machine, reserveonderdelen en veiligheidsvoorwaarden, enz.

Alvorens enige procedure aan de machine uit te voeren, moeten de bedieners en gekwalificeerde technici de gebruiksaanwijzing lezen. Neem contact op met ons bedrijf in geval van twijfel over de interpretatie van de instructies of voor meer informatie.

HOE DEZE GEBRUIKSAANWIJZING TE BEWAREN VOOR GEBRUIK

De gebruiksaanwijzing moet worden bewaard in de buurt van de machine, in een geschikte tas, uit de buurt van vloeistoffen en andere stoffen die kunnen leiden tot schade aan het document.

VERKLARING VAN OVEREENSTEMMING

Verklaring van overeenstemming wordt geleverd met de machine en verklaart dat de machine in overeenstemming is met het geldende recht.



OPMERKING

De kopieën van de oorspronkelijke verklaring van overeenstemming worden geleverd samen met de machine-documentatie.

ACCESSOIRES EN ONDERHOUD

Alle noodzakelijke gebruiks-, onderhouds- en reparatieprocedures moeten worden uitgevoerd door gekwalificeerd personeel, of door een door ons bedrijf aangewezen dienstcenter. ALLEEN geautoriseerde reserveonderdelen en accessoires mogen gebruikt worden.

Neem contact op met de klantendienst van ons bedrijf voor elke service of aankoop van accessoires of reserveonderdelen indien nodig.

VERANDERING EN VERBETERING

Wij zetten ons in voor de continue verbetering van onze producten, het bedrijf behoudt het recht om de machinewijzigingen en verbeteringen uit te voeren zonder dit bijkomend te moeten meedelen.

TOEPASSINGSGEBIED

Deze machine is bedoeld voor professioneel gebruik. Het is gebouwd voor gebruik in een binnenomgeving en is niet bedoeld voor enig ander gebruik. Gebruik alleen aanbevolen accessoires.

IDENTIFICATIEGEGEVENS VAN DE MACHINE

Het serienummer van de machine en de naam van het model zijn op het serielabel vermeld.

Deze informatie is nuttig. Gebruik de volgende tabel om de identificatiegegevens van de machine te noteren wanneer reserveonderdelen vereist worden voor de machine.

MODEL MACHINE.....
SERIENUMMER MACHINE.....

VERVOER EN UITPAKKEN

Controleer de verpakking zorgvuldig op beschadiging. Meld elke beschadiging van de verpakking onmiddellijk aan de vervoerder.

Controleer de inhoud van de verpakking om er zeker van te zijn dat hij compleet is. Neem contact op met uw distributeur als er iets ontbreekt.

Inhoud:

- Tapijtpotter
- Zuig- en schoonwaterslangen
- Handgereedschap

VEILIGHEID

De volgende symbolen wijzen op potentieel gevaarlijke situaties. Lees altijd deze informatie aandachtig en nemen alle nodige voorzorgsmaatregelen ter bescherming van mensen en bezittingen.

ZICHTBARE SYMBOLEN OP DE MACHINE

WAARSCHUWING!

Lees alle instructies zorgvuldig door voordat u enige actie uitvoert met de machine.



WAARSCHUWING!

Was de machine met directe of onder druk staande waterstralen.

SYMBOLEN AANGEGEVEN IN DE GEBRUIKSAANWIJZING

GEVAAR!

Dit geeft aan dat een gevaarlijke situatie bestaat met risico op overlijden voor de gebruiker.



WAARSCHUWING!

Dit geeft aan dat er een potentieel risico bestaat op verwonding voor mensen.



VOORZICHTIG!

Dit geeft een waarschuwing of opmerking gerelateerd aan belangrijke of nuttige functies. Besteed aandacht aan de alinea's die voorzien zijn van dit symbool.



OPMERKING

Dit geeft een opmerking weer gerelateerd aan belangrijke of nuttige functies.



RAADPLEGEN

Dit geeft aan dat u de gebruiksaanwijzing moet raadplegen voordat u een procedure uitvoert.

ALGEMENE VEILIGHEIDSINSTRUCTIE

Algemeen – Deze tapijtpotter moet geaard zijn tijdens gebruik om de bediener te beschermen tegen elektrische schokken. De machine is voorzien van een stekker met drie contacten voor een correcte aardingsaansluiting. De groene (of groen-gele) kabel in het snoer is de aarding. Sluit deze kabel nooit aan op een andere dan de aardingspen van de stekker.

Deze machine is bedoeld voor gebruik op een nominaal 220-240-voltcircuit en heeft een aardingsstekker die lijkt op de stekker in onderstaande afbeelding. Zorg ervoor dat de machine is aangesloten op een stopcontact met dezelfde configuratie als de stekker. Gebruik geen adapter met deze machine.

Specifieke waarschuwingen en waarschuwingen ter informatie over de potentiële verwondingen voor mensen en schade aan machines worden hieronder weergegeven.

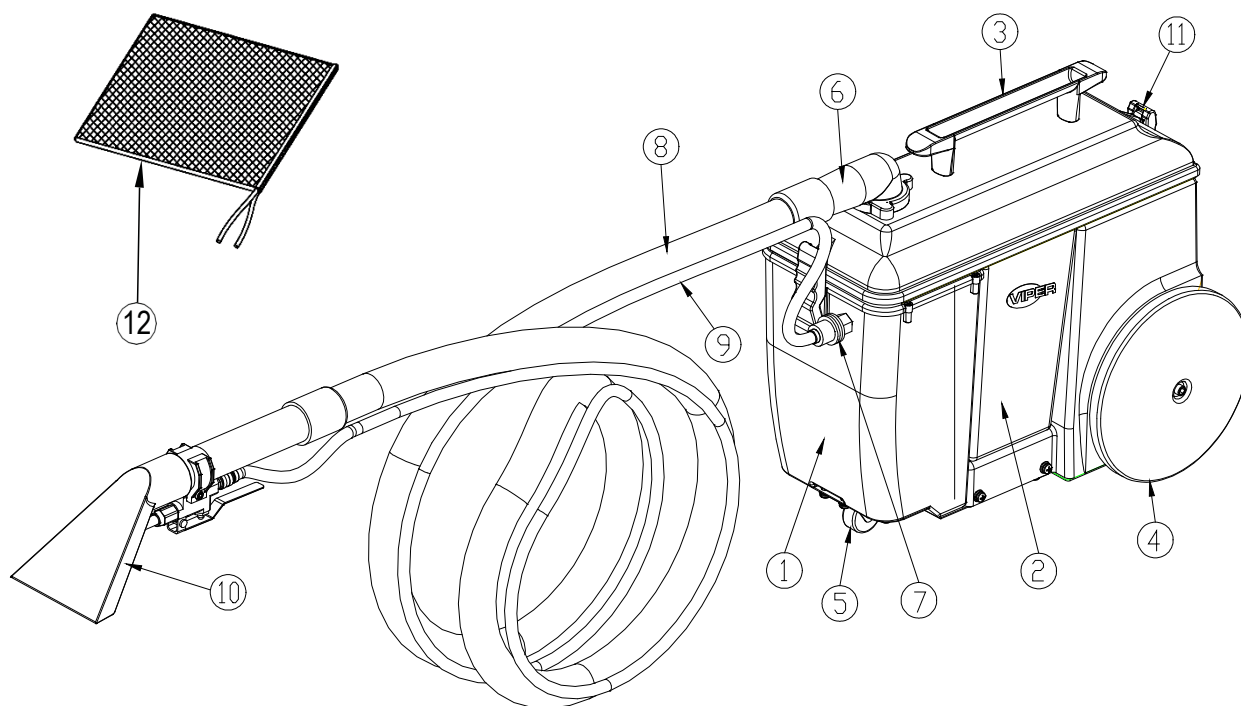
**GEVAAR!**

- Deze machine moet worden bediend door opgeleide en geautoriseerde medewerkers volgens richtlijnen uit de handleiding.
- Voor elke reinigings-, onderhouds-, reparatie- of vervangingsprocedure moeten alle instructies aandachtig gelezen worden, controleer dat de machine **UITGESCHAKELD** is.
- Gebruik de machine niet in de buurt van giftige, gevaarlijke, ontvlambare en/of explosieve poeders, vloeistoffen of damp. Deze machine is niet geschikt voor het verzamelen van gevaarlijke poeders.
- Draag geen sieraden bij het werken in de buurt van elektrische onderdelen.
- Werk niet onder de opgeheven machine zonder dat het ondersteund wordt met veiligheidssteunen.

**WAARSCHUWING!**

- Deze machine is bestemd voor **COMMERCIEEL GEBRUIK**, bijvoorbeeld in hotels, scholen, ziekenhuizen, fabrieken, winkels, kantoren en verhuurbedrijven.
- Machines die onbeheerd worden achtergelaten, moeten worden beveiligd tegen onbedoelde verplaatsing.
- Om onbevoegd gebruik van de machine te voorkomen, moet de stroombron worden uitgeschakeld of afgesloten.
- Controleer de machine zorgvuldig vóór elk gebruik. Controleer voor gebruik of alle onderdelen goed gemonteerd zijn. Losse onderdelen kunnen schade aan personen en eigendommen veroorzaken.
- Verplaats de machine nooit door aan het snoer te trekken. Geleid de kabel nooit via een gesloten deur, scherpe randen of hoeken. Laat de machine niet over het snoer heen rijden. Houd het snoer uit de buurt van hete oppervlakken.
- Om het risico van brand, elektrische schokken of letsel te beperken moet er gecontroleerd worden of de machine is uitgeschakeld.
- Gebruik of bewaar de machine binnenshuis in droge omstandigheden, het is niet toegestaan voor gebruik buitenshuis.
- De bedrijfstemperatuur voor gebruik en opslag moet liggen tussen 0 °C en + 40 °C, de vochtigheid van de lucht moet liggen tussen 30% - 95%.
- Gebruik de machine niet op hellingen groter dan aangegeven in de specificaties.
- Volg bij het gebruik en de behandeling van vloerreinigingsmiddelen de instructies op de etiketten van de wasmiddelflessen en draag geschikte handschoenen en andere beschermende middelen.
- Bij storingen aan de machine dient u te controleren of dit eventueel te wijten is aan gebrekkig onderhoud. Indien nodig verzoek om bijstand van geautoriseerd personeel of een erkend Service Center.

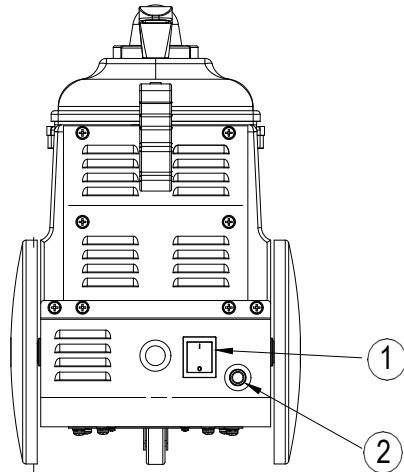
- Neem alle nodige voorzorgsmaatregelen om te voorkomen dat haren, sieraden en losse kleren in de bewegende delen van de machine verstrikt raken.
- Gebruik de machine niet in bijzonder stoffige omgevingen.
- Was de machine met directe of onder druk staande waterstralen of corrosieve stoffen.
- Stoot niet tegen planken of steigers aan, vooral niet als er gevaar bestaat voor vallende voorwerpen.
- Plaats geen containers met vloeistoffen op de machine, gebruik de betreffende blikkenhouder.
- Gebruik in geval van brand een droge poederblusser. Gebruik geen vloeibare brandblussers.
- Verwijder of wijzig de etiketten van de machine niet.
- Let tijdens het transport van de machine op wanneer de temperatuur onder het vriespunt ligt. Het water in de vuilwatertank en in de slangen kan bevriezen en ernstige schade aan de machine veroorzaken.
- Als reserveonderdelen moeten worden vervangen, bestel dan ORIGINELE-reserveonderdelen bij een erkende dealer of detailhandelaar.
- Breng de machine terug naar het Service Center als het niet naar behoren werkt of als het beschadigd is.
- Om een goede en veilige werking van de machine te garanderen, moet het geplande onderhoud dat in het desbetreffende hoofdstuk van deze handleiding wordt getoond, worden uitgevoerd door bevoegd personeel of een geautoriseerde dealer of detailhandelaar.
- Deze machine is uitsluitend een reinigingsgereedschap en is niet bedoeld voor enig ander doel.
- Houd de openingen altijd vrij van stof, haren en andere vreemde voorwerpen die de luchtstroom kunnen verminderen. Gebruik de machine niet als de openingen zijn verstopt.
- Gebruik de machine alleen op plaatsen waar een goede verlichting aanwezig is.
- Deze machine is niet bedoeld voor gebruik door personen (inclusief kinderen) met verminderde fysieke, zintuiglijke of mentale capaciteiten, of door personen met gebrek aan ervaring en kennis.
- Bij gebruik in de buurt van kinderen dient u goed op te letten.
- Kinderen moeten onder toezicht staan om ervoor te zorgen dat ze niet met de machine spelen.
- Zorg ervoor dat u tijdens het gebruik van deze machine geen schade aan personen of voorwerpen veroorzaakt.
- Reiniging en onderhoud mogen niet zonder toezicht door kinderen worden uitgevoerd.
- De bedieners moeten adequaat worden geïnstrueerd over het gebruik van deze machines.
- Dit apparaat is voorzien van een aarding voor uitsluitend functionele doeleinden
- Als het netsnoer beschadigd is, moet u het laten vervangen door de fabrikant, zijn serviceagent of gelijkgekwalificeerde technici om gevaar te voorkomen.
- Haal de stekker uit het stopcontact tijdens reiniging of onderhoud, bij het vervangen van onderdelen of bij het ombouwen van de machine naar een andere functie

**BESCHRIJVING VAN DE MACHINE
MACHINESTRUCTUUR**

Figuur 1

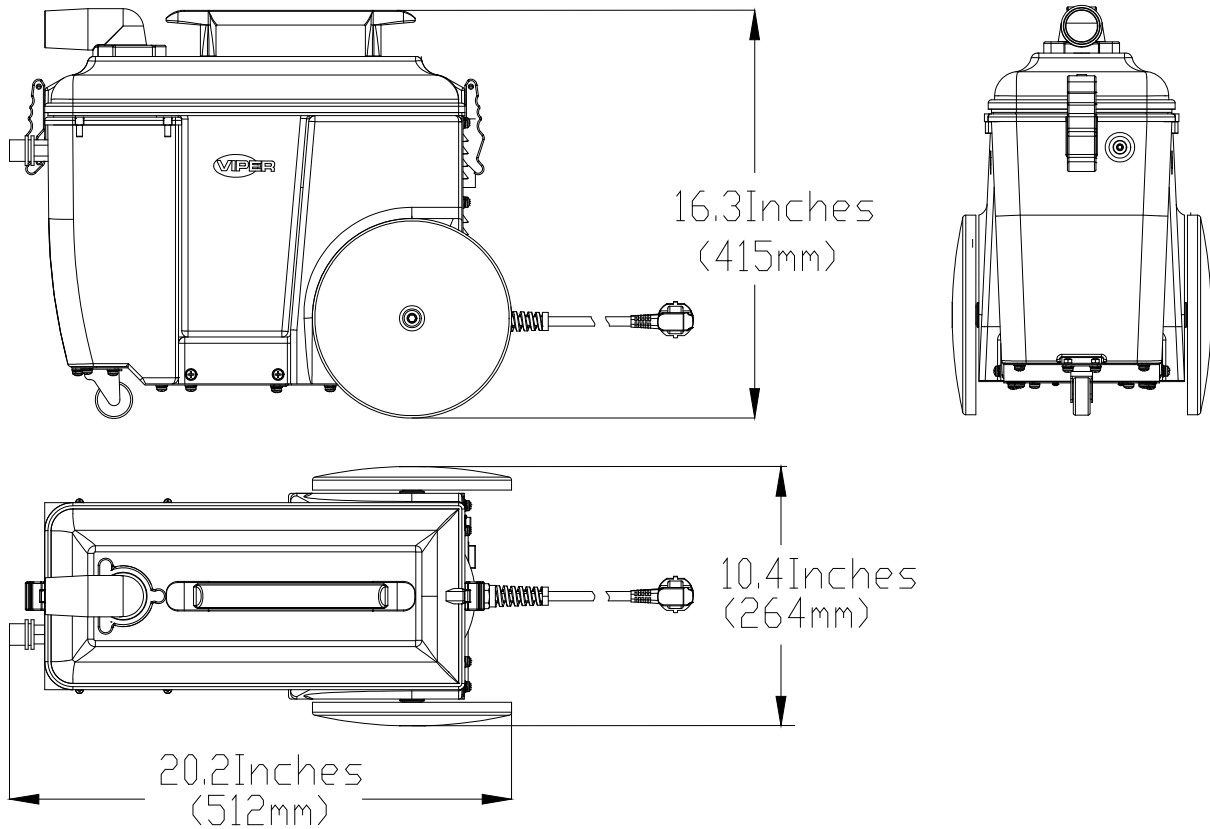
- | | |
|--------------------------|---------------------------|
| 1. Schoonwatertank | 7. Aansluiting waterslang |
| 2. Vuilwatertank | 8. Zuigslang |
| 3. Handgreep | 9. Schoonwaterslang |
| 4. Transportwielen | 10. Handgereedschap |
| 5. Voorste zwenkwiel | 11. Klem |
| 6. Aansluiting zuigslang | 12. Blauwe accessoiretas |

BEDIENINGSPANEEL

1. Stroomschakelaar
2. Overbelastingsbeveiliging



AFMETINGEN MACHINE

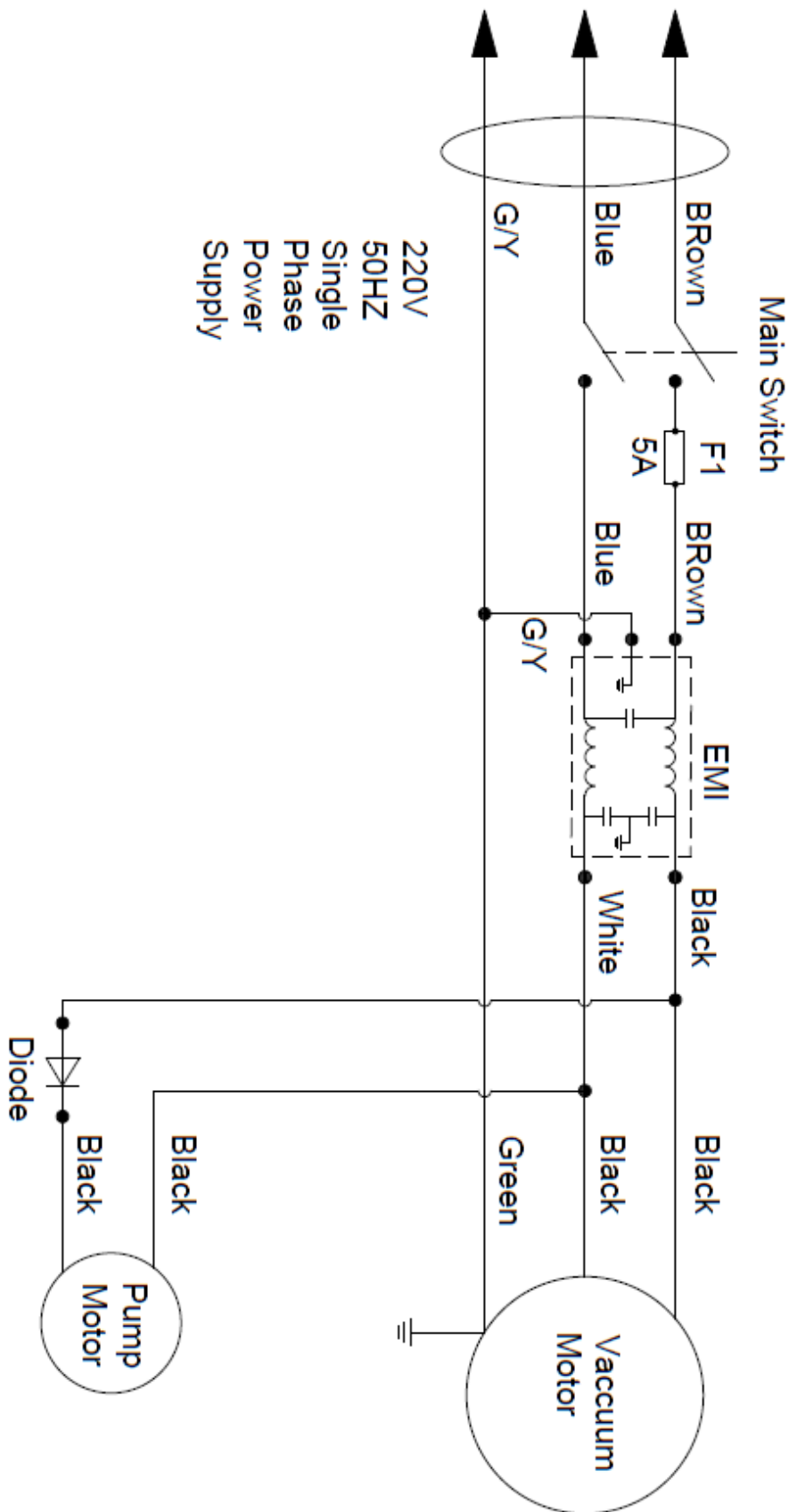


TECHNISCHE PARAMETERS

Modellen	EU	UK	TURKEY
Beschrijving Master	WOLF130		
Ref. nr. voorraadcode	50000589	50000604	50000603
Spanning	220-240V		
Zuigmotor	1000W		
Stroomsterkte	4.7 ampère		
Gewicht	9.85kg		
Verzendgewicht	29.8lbs. (13.5 kg)		
Geluidsvermogensniveau	80 dB		
Geluidsdruk niveau	67 dB A		
Druk schoonwaterpomp	30 Psi (2bar)		
Waterlift (max zuigkracht)	85inchH2O (21.8kpa)		
Netsnoer ft	10 m, fel oranje		
Reinigingsbaan inch	4" (10.2 cm)		
Schoonwater- en vuilwatertank gallon	3.8L		
Schoonwater- en zuigslangen ft	3m		
Afmetingen L x B x H	23.3 x 15.4 x 19.3in (59 x 39 x 49 cm)		

(*): Optioneel

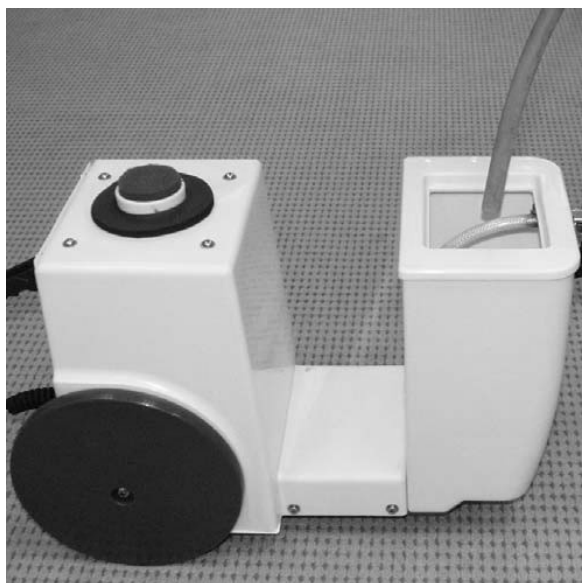
AANSLUITSCHEMA



WERKINGSGIDS

Lees de gebruikershandleiding grondig door voordat u deze machine gebruikt of onderhoud uitvoert

- 1) Vul de tank met een slang of emmer met maximaal 1 gallon water (watertemperatuur lager dan 50°C).



Gebruik geen ontvlambare vloeistoffen of bedien de machine niet in of in de buurt van ontvlambare vloeistoffen of dampen

- 2) Sluit de schoonwaterslang en de zuigslang aan op de machine.
- 3) Sluit het netsnoer aan op een geaard stopcontact. (zie aardingsinstructies)

BEDIENING MACHINE

VOORAFGAAND AAN HET VERWIJDEREN VAN VLEKKEN

- 1) Controleer het netsnoer op beschadigingen. Vervang het snoer als er schade wordt geconstateerd.
- 2) Stofzuig het tapijt om vuil te verwijderen voordat u de vlek verwijdert.

VLEKVERWIJDERING

- 1) Plaats de stroomschakelaar in de stand "I".
OPMERKING: Er wordt alleen schoonwater gespoten door te trekken aan de spuihendel (op het handgereedschap).
- 2) Om te beginnen met reinigen, trekt u aan de spuihendel (handgereedschap) en begint u het gereedschap naar achteren over de vlek te schuiven.
- 3) Laat de spuihendel los wanneer u het uiteinde van de vlek hebt bereikt. Trek het handgereedschap nog 4 inch verder naar achteren om de overtollige oplossing op te vangen.



- 4) Ga verder totdat de vlek is verwijderd.

TIPS VOOR HET BEDIENEN

- 1) Gebruik alleen koud water. Warm water kan vlekken veroorzaken.
- 2) Controleer voortdurend op schuimophoping in vuilwatertank. Gebruik een door de distributeur aanbevolen schuimoplossing.
OPMERKING: Overmatige schuimophoping veroorzaakt schade aan de zuigmotor.
- 3) Herhaal het verwijderen van vlekken op sterk vervuilde gebieden.
- 4) Wanneer geen vuilwater meer wordt afgezogen of de schoonwatertank leeg is, moet u de vuilwatertank leegmaken. (zie TANK LEEGMAKEN)

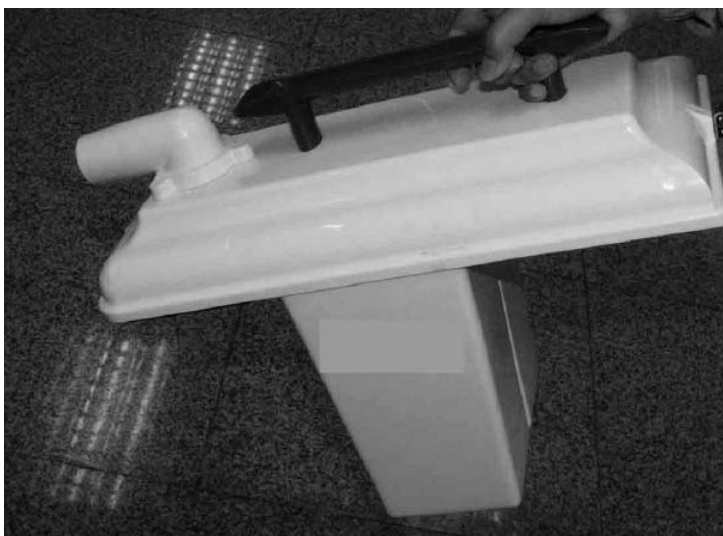
TANKS LEEGMAKEN

SCHOONWATERTANK LEEGMAKEN

- 1) Zet de machine uit en haal de stekker uit het stopcontact.
- 2) Koppel de schoonwater- en zuigslangen los van de voorkant van de machine.
- 3) Maak de klemmen van de vuilwatertank los en verwijder de vuilwatertank uit de machine.
- 4) Voer de schoonwatertank naar een goedgekeurde stortplaats en dump de inhoud.

VUILWATERTANK LEEGMAKEN

- 1) Schakel de machine uit en haal de stekker uit het stopcontact.
- 2) Maak de klemmen van de vuilwatertank los en verwijder de vuilwatertank uit de machine.
- 3) Voer de vuilwatertank naar een stortplaats afvoer en dump de inhoud.



- 4) Spoel de vuilwatertank met schoon water uit.
- 5) Monteer de machine opnieuw.

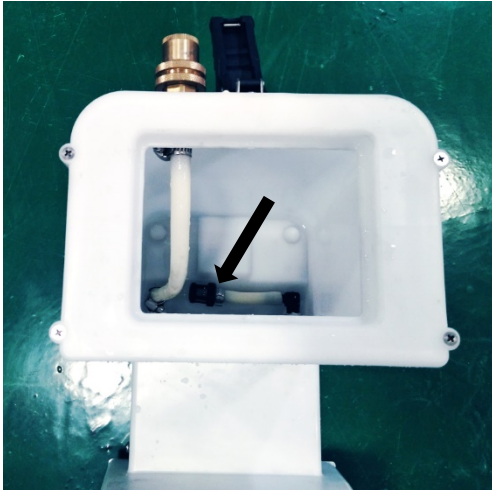
ONDERHOUD

Volg de volgende onderhoudsprocedures om de machine jarenlang goed te laten functioneren.

!!! Controleer altijd of de stekker uit het stopcontact is gehaald voordat u onderhoud of reparaties uitvoert!!!

DAGELIJKS ONDERHOUD

- 1) Na het uitvoeren van de dagelijkse reinigingswerkzaamheden laat u de vuilwatertank helemaal leeglopen en spoelt u deze met schoon water uit.
- 2) Verwijder de overgebleven vloeistof uit de schoonwatertank.
- 3) Verwijder het zuigfilter en spoel met schoon water uit.
- 4) Vervang het filter wanneer het droog is.



- 5) Verwijder de sproeikop en inspecteer deze. Reinig de sproeikop indien nodig.

OPMERKING: Reinig de sproeikop niet met een puntig voorwerp om schade te voorkomen.

- 6) Controleer de borstelstrip en verwijder vuil of tapijtvezels.
- 7) Controleer het handgereedschap en verwijder vuil of tapijtvezels.
- 8) Reinig de machine met een niet-schurende reiniger.
- 9) Controleer het netsnoer op beschadigingen. Vervang indien nodig.

MAANDELIJKS ONDERHOUD

- 1) Spoel pomp en sanitair met een azijnzuuroplossing om eventuele chemische ophoping op te lossen.
Menginstructies:
 - a. Meng 8 oz. vooraf een azijnzuuroplossing met 1 gallon water en giet dit in de schoonwatertank. Schakel de zuig-/pompschakelaar in.
 - b. Plaats de kop van het vloergereedschap boven de vloerafvoer en activeer de schoonwateroplossing gedurende één (1) minuut.
 - c. Zet de machine uit en laat de resterende oplossing 's nachts in de machine zitten.
 - d. Spuit de volgende dag de overgebleven oplossing uit en spoel het systeem opnieuw uit met 1 gallon schoon water.
- 2) Controleer de machine op waterlekage.
- 3) Controleer de machine op losse of ontbrekende moeren, schroeven en bouten en vervang deze indien nodig.

MACHINEOPSLAG

- 1) Voordat u de machine opbergt, moet u ervoor zorgen dat de schoonwater- en vuilwatertanks schoon en leeg zijn van elke oplossing.
- 2) Bewaar de machine rechtop in een droge ruimte, met de zuigslang verwijderd voor luchtcirculatie.

OPMERKING: Als u de machine opbergt in een ruimte waar het kan vriezen, zorg er dan voor dat zowel de tanks als het leidingwerk leeg en droog zijn!

EENVOUDIGE PROBLEMEN VERHELPE

Problemen	Waarschijnlijke oorzaken	Oplossing
Machine werkt niet	Niet aangesloten op de stroombron	Sluit het apparaat aan op een geaard stopcontact
	Netsnoer defect	Neem contact op met uw distributeur
	Verlengkabel defect	Vervang door een nieuw verlengsnoer
	Stroomonderbreker gesprongen	Schakel de stroomonderbreker in
Schoonwaterpomp werkt niet	Zuig-/pompschakelaar niet ingeschakeld	Zet de schakelaar aan
	Zuig-/pompschakelaar defect	Neem contact op met uw distributeur
	Magneetventiel defect	Neem contact op met uw distributeur
	Schoonwaterpomp defect	Neem contact op met uw distributeur
	Pomp oververhit	Spoor de oorzaak op en laat de pomp 30 minuten afkoelen
	Bedrading los of kapot	Neem contact op met uw distributeur
Zuigmotor werkt niet	Zuig-/pompschakelaar niet ingeschakeld	Zet de schakelaar aan
	Zuig-/pompschakelaar defect	Neem contact op met uw distributeur
	Thermische beveiliging van de zuigmotor geactiveerd	Controleer op verstoppingen en laat 30 minuten afkoelen
	Zuigmotor defect	Neem contact op met uw distributeur
	Koolborstels versleten	Neem contact op met uw distributeur
	Bedrading los of kapot	Neem contact op met uw distributeur
De opname is gebrekkig	Luchtlekkage aan de pakking van de vuilwatertank	Zorg ervoor dat het deksel van de vuilwatertank stevig is vastgedraaid
	Pakking zuigslang beschadigd of versleten	Vervang de pakking
	Aansluitingen zuigslang zitten los	Zorg ervoor dat de aansluitingen van de zuigslang goed vastzitten
	Zuigslang defect	Vervang de zuigslang
	Kappen zuigslang zitten los	Zorg ervoor dat de kappen goed vastzitten aan de behuizing
	Zuigslang verstopt	Verwijder verstoppingen van de zuigslang
Geen of ongelijkmatig sproei van schoonwater	De schoonwatertank is leeg of bijna leeg	Vul de schoonwatertank
	Zuig-/pompschakelaar niet ingeschakeld	Zet de schakelaar aan
	Sproeimonden vuil of verstopt	Sproeimonden reinigen of vervangen
	Onjuiste sproeimondgrootte of spuihoek	Neem contact op met uw distributeur
	Sproeimonden versleten	Neem contact op met uw distributeur
	Schoonwaterpomp defect	Neem contact op met uw distributeur
	Filter schoonwatertank verstopt	Filter reinigen of vervangen
	Schoonwaterslang gekneld of gebogen	Controleer op verstoppingen en knikken en leid om of vervang indien nodig

PROBLEEMOPLOSSING**SLOOP**

Verwijder de machine via een instelling gekwalificeerd voor afvalverwerking.

Voordat de machine wordt gesloopt, verwijder de onderstaande materialen volgens de relevante wet- en regelgeving.

- Borstel/padhouder
 - Plastic slang en kunststof onderdelen
 - Elektrische en elektronische onderdelen (*)
- (*) Neem contact op met ons servicecentrum voor het vernietigen van elektrische en elektronische componenten.

Samenstelling en recyclebaarheid van het materiaal van de machine

Type	Recyclebaar percentage	WOLF130 gewichtsperscentage%
Elektromotoren-diverse	20%	22%
Ferromaterialen	80%	20%
Kabelboom	80%	1%
Vloeistoffen	100%	0%
Kunststof niet-recyclebaar materiaal	0%	1%
Kunststof recyclebaar materiaal	100%	45%
Rubber	20%	1%

INNLEDNING**MERK**

Tallene i parentes viser til komponentene som er vist under "Maskinbeskrivelse".

FORMÅL OG INNHOLD

Formålet med denne bruksanvisningen er å gi operatøren med all grunnleggende informasjon og tekniske egenskaper, betjening, maskininaktivitet, reservedeler og sikre tilstander osv.

Før det utføres arbeid på maskinen, må operatør og kvalifisert teknisk personell nøye lese igjennom instruksene i denne håndboken. Ta kontakt med oss dersom du er i tvil om noe av informasjonen, eller for ytterligere informasjon.

HVORDAN OPPBEVARE DENNE BRUKSANVISNINGEN

Bruksanvisningen må oppbevares i nærheten av maskinen i en egnet mappe, borte fra væsker og andre stoffer som kan føre til at den blir ødelagt.

SAMSVARERKLÆRING

Samsvarserklæringen leveres med maskinen og bekrefter at maskinen samsvarer med gjeldende forskrifter.

**MERK**

Kopi av den originale samsvarserklæringen leveres sammen med dokumentasjonen for maskinen.

TILBEHØR OG VEDLIKEHOLD

All bruk, vedlikehold og reparasjoner må utføres av kvalifisert personell, eller av et av våre servicesentre. Det skal KUN brukes godkjente reservedeler og tilbehør.

Ta kontakt med vår kundeservice for service eller kjøp av tilbehør og reservedeler.

ENDRINGER OG FORBEDRINGER

Vi tar sikte på kontinuerlig forbedring av våre produkter, og selskapet forbeholder seg retten til å foreta endringer og forbedringer på maskinen uten ytterligere informasjon.

BRUKSOMRÅDE

Denne maskinen er beregnet for kommersiell bruk. Den er utviklet for bruk innendørs og er ikke beregnet for noe annet bruk. Bruk bare anbefalt tilbehør.

IDENTIFIKASJONSDATA

Maskinens serienummer og modellnavn er merket på typeskiltet.

Her finnes nyttig informasjon. Skriv inn maskinens identifikasjonsdata i tabellen nedenfor, og bruk den når det skal bestilles reservedeler til maskinen.

MASKINMODELL

MASKINENS SERIENUMMER

TRANSPORT OG UTPAKKING

Kontroller forsendelseskartongen for tegn på skade. Rapportér omgående kartongskade til transportøren.

Kontroller innholdet i kartongen for å sikre at kartongen er komplett. Kontakt distributøren din hvis noe mangler.

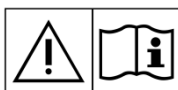
Innhold:

- Teppespotter
- Vakuump- og løsningslanger
- Håndverktøy

SIKKERHET

Følgende symboler indikerer potensielt farlige situasjoner. Les alltid nøye gjennom denne informasjonen, og ta alle nødvendige forholdsregler for å beskytte personell og materiell.

SYMBOLER MERKET PÅ MASKINEN



ADVARSEL!

Les nøye gjennom alle instruksjonene før du tar i bruk maskinen.



ADVARSEL!

Ikke vask maskinen med direkte stråle eller høytrykksspyler.

SYMBOLER SOM VISES PÅ BRUKSANVISNINGEN



FARE!

Indikerer en farlig situasjon som kan føre til dødsfall for operatøren.



ADVARSEL!

Indikerer en potensiell fare som kan føre til personskaade.



FORSIKTIG!

Indikerer en advarsel eller en merknad knyttet til viktige eller nyttige funksjoner. Vær spesielt oppmerksom på avsnittene som er merket med dette symbolet.



MERK

Indikerer en merknad knyttet til viktige eller nyttige funksjoner.



KONSULTASJON

Indikerer at det henvises til bruksanvisningen før det utføres noen prosedyre.

GENERELLE SIKKERHETSANVISNINGER

Generelt - Denne teppestotteren skal jordes mens den er i bruk for å beskytte operatøren mot elektrisk støt. Maskinen er utstyrt med en trekontakt jordingstype for å feste den riktige kontakten til jordingstypen. Den grønne (eller grønne og gule) lederen i kabelen er jordledningen. Koble aldri denne ledningen til annet enn jordingsstiften på festepluggen.

Denne maskinen skal brukes på en nominell 220–240 volt krets og har en jordingsplugg som ligner kontakten illustrert i figuren nedenfor. Forsikre deg om at maskinen er koblet til en stikkontakt med samme konfigurasjon som støpselet. Ingen adapter skal brukes med denne maskinen.

Nedenfor er det beskrevet spesifikke advarsler og forsiktighetsregler for å informere om potensielle skader på personer og maskin.

**FARE!**

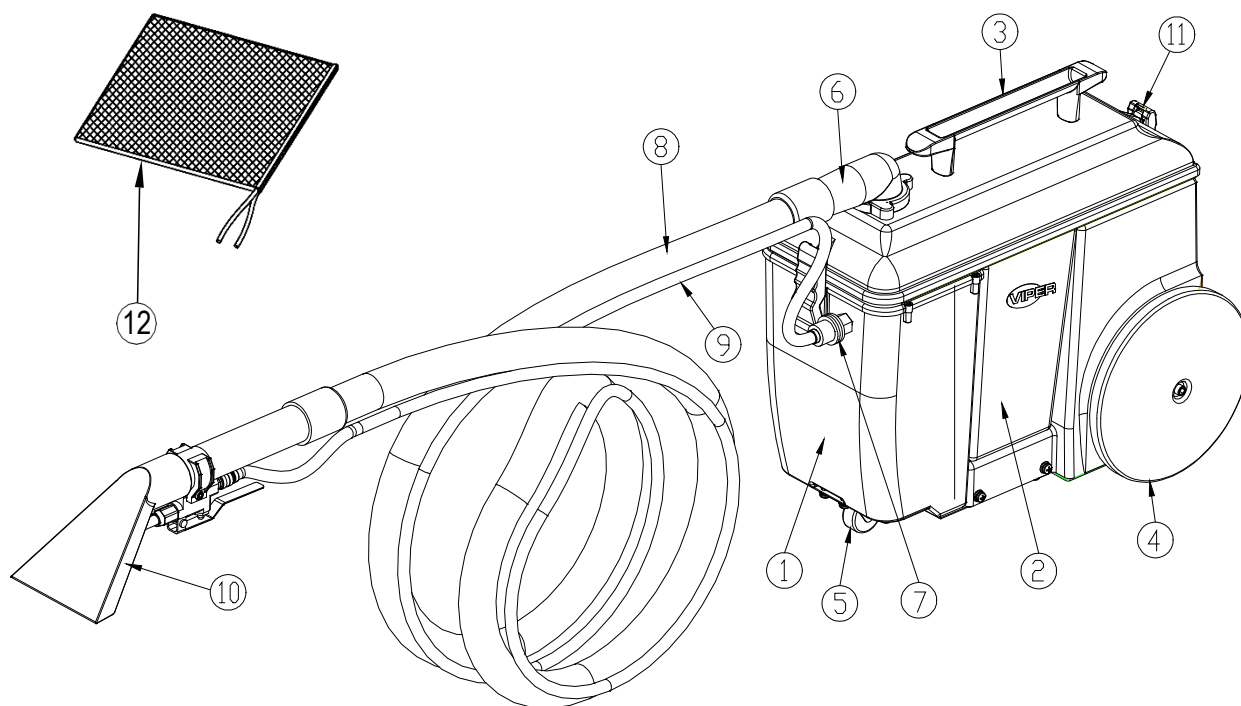
- Denne maskinen skal kun brukes av kvalifisert og autorisert personell i henhold til informasjonen i håndboken.
- Les alle instruksjonene nøye før du utfører rengjørings-, vedlikeholds-, reparasjons- eller utskiftingsprosedyrer, og sørg for å slå AV maskinen.
- Ikke bruk maskinen i nærheten av giftige, farlige, brennbare og/eller eksplosive pulver, væsker eller damp. Denne maskinen er ikke egnet for oppsamling av farlig pulver.
- Ikke bruk smykker når du jobber i nærheten av elektriske komponenter.
- Ikke jobb under den løftede maskinen uten å støtte den med sikkerhetsstativer.

**ADVARSEL!**

- Denne maskinen er beregnet til KOMMERSIELL BRUK, for eksempel i hoteller, skoler, sykehus, fabrikker, butikker, kontorer og leieforretninger.
- Maskiner som er uten tilsyn, må sikre mot utilsiktet bevegelse.
- For å forhindre uautorisert bruk av maskinen, skal strømkilden være slått av eller låst.
- Sjekk maskinen nøye før hver bruk. Påse at alle komponenter er riktig montert før bruk. Løse komponenter kan forårsake skade på personer og egenskaper.
- Flytt aldri maskinen ved å trekke i kabelen. Ikke før kabelen gjennom en lukket dør eller vikle seg rundt skarpe kanter eller hjørner. Ikke kjør maskinen over kabelen. Hold ledningen unna varme flater.
- For å redusere risikoen for brann, elektrisk støt eller skade, se til at maskinen er av før du går.
- Bruk eller oppbevar maskinen innendørs i tørre omgivelser. Maskinen er ikke beregnet for utendørs bruk.
- Maskinens lagrings- og arbeidstemperatur må være mellom 0 °C og +40 °C, luftfuktigheten må være mellom 30 % og 95 %.
- Ikke bruk maskinen i hellinger som overskrider de viste spesifikasjonene.
- Ved bruk og håndtering av rengjøringsmidler for gulv, følg instruksjonene på etikettene på emballasjen for rengjøringsmidlene og bruk egnede hansker og beskyttelsesenheter.
- Ved maskinfeil må det sjekkes at feilen ikke har oppstått på grunn av manglende vedlikehold. Om nødvendig kan du be om hjelp fra autorisert personell eller et autorisert servicesenter.

- Ta alle nødvendige forholdsregler for å forhindre at hår, smykker og løse klær hektes fast i maskinens bevegelige deler.
- Ikke bruk maskinen på områder som er spesielt støvete.
- Ikke vask maskinen med direkte stråle eller høytrykksspyler eller med korrosive stoffer.
- Ikke støt mot hyller eller stativer, spesielt der det er fare for fallende gjenstander.
- Ikke sett væskebeholdere på maskinen, bruk relevant kanneholder.
- I tilfelle brann bruk et tørt pulverbrannslukkingsmiddel. Ikke bruk væskebrannslukkere.
- Ikke fjern eller modifier maskinens klistremerker.
- Vær spesielt oppmerksom under transport av maskinen når temperaturen er under frysepunktet. Vannet i gjenvinningstanken og i slangene kan fryse og forårsake alvorlig skade på maskinen.
- Hvis reservedeler må skiftes ut, bestill ORIGINALE reservedeler fra autoriserte forhandlere eller distributører.
- Returner maskinen til servicesenteret hvis den ikke fungerer som vanlig eller er skadet.
- For å sikre riktig og sikker drift av maskinen, må det fastsatte vedlikeholdet som vises i relevant kapittel i denne håndboken utføres av det autoriserte personalet eller en autorisert forhandler.
- Denne maskinen er bare et rengjøringsverktøy, og er ikke beregnet til noe annet formål.
- Hold alltid åpningene fri for støv, hår og eventuelle fremmedlegemer som kan redusere luftstrømmen. Ikke bruk maskinen til åpningene er tilstoppet.
- Bruk kun maskinen der det finnes tilstrekkelig belysning.
- Denne maskinen er ikke beregnet for bruk av personer (inkludert barn) med reduserte fysiske, sensoriske eller mentale evner eller mangel på erfaring og kunnskap.
- Det er nødvendig med stor oppmerksomhet ved bruk i nærheten av barn.
- Barn bør være under tilsyn for å sikre at de ikke leker med denne maskinen.
- Ved bruk av denne maskinen må du påse å ikke skade personer eller gjenstander.
- Rengjøring og vedlikehold skal ikke utføres av barn uten tilsyn.
- Operatører skal instrueres tilstrekkelig om bruk av disse maskinene.
- Dette apparatet har bare en jordforbindelse for funksjonelle formål
- Hvis strømledningen er skadet, må den skiftes ut av produsenten, dens serviceagent eller lignende kvalifiserte personer for å unngå fare.
- Ta ut støpselet fra stikkontakten under rengjøring eller vedlikehold og når du bytter ut deler eller konverterer maskinen til en annen funksjon

MASKINBESKRIVELSE
MASKINSTRUKTUR

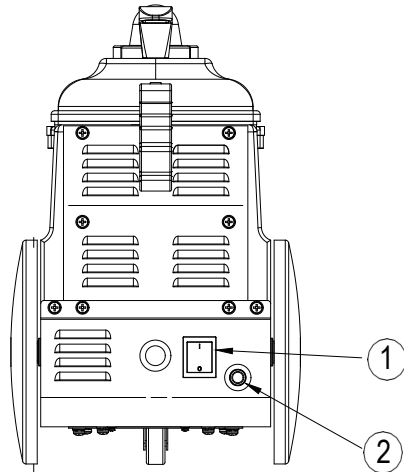


Figur 1

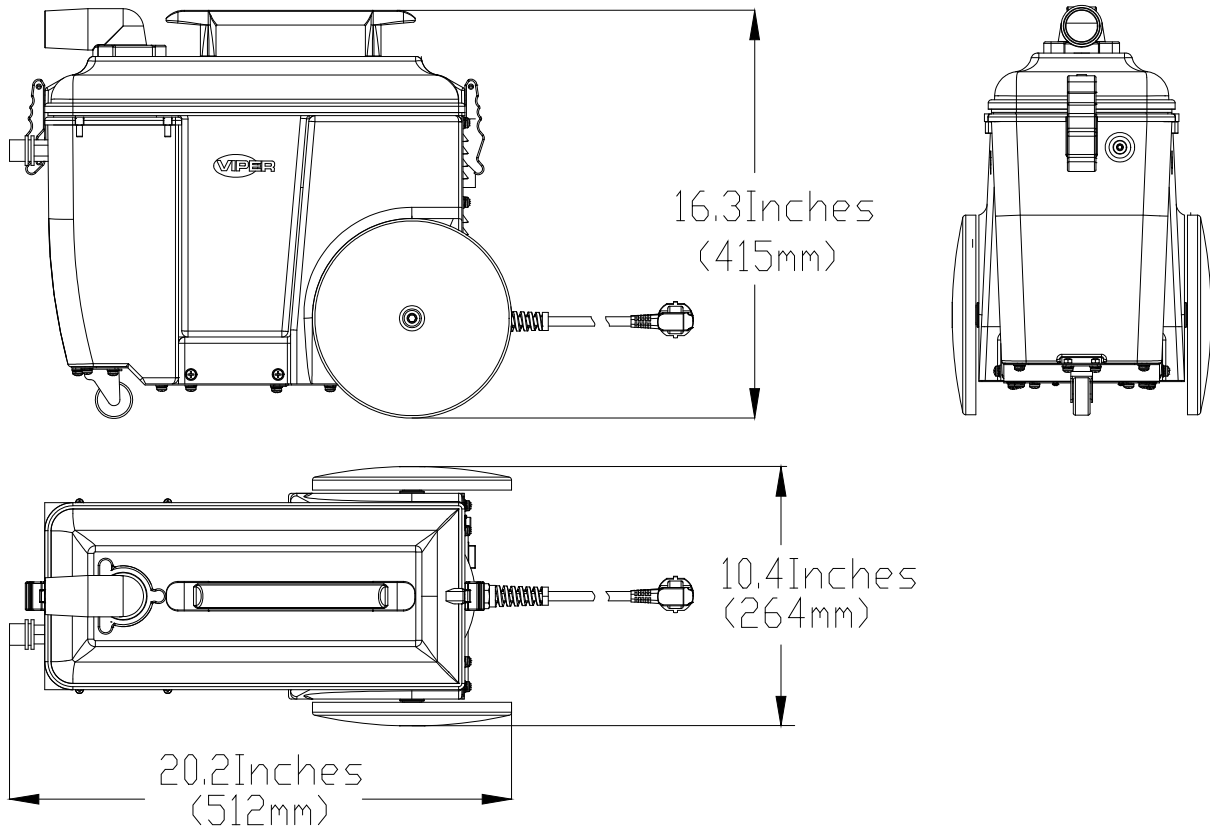
- | | |
|---------------------------|---------------------------------|
| 1. Oppløsningstank | 7. Tilkobling til løsningslange |
| 2. Gjenopprettingstank | 8. Vakuumslange |
| 3. Håndtak | 9. Løsningslange |
| 4. Transporthjul | 10. Håndverktøy |
| 5. Fremre hjul | 11. Klemme |
| 6. Vakuumslangetilkobling | 12. Blå tilbehørspose |

KONTROLLPANEL

1. Strømbryter
2. Overbelastningsbeskytter



MASKINSTØRRELSE

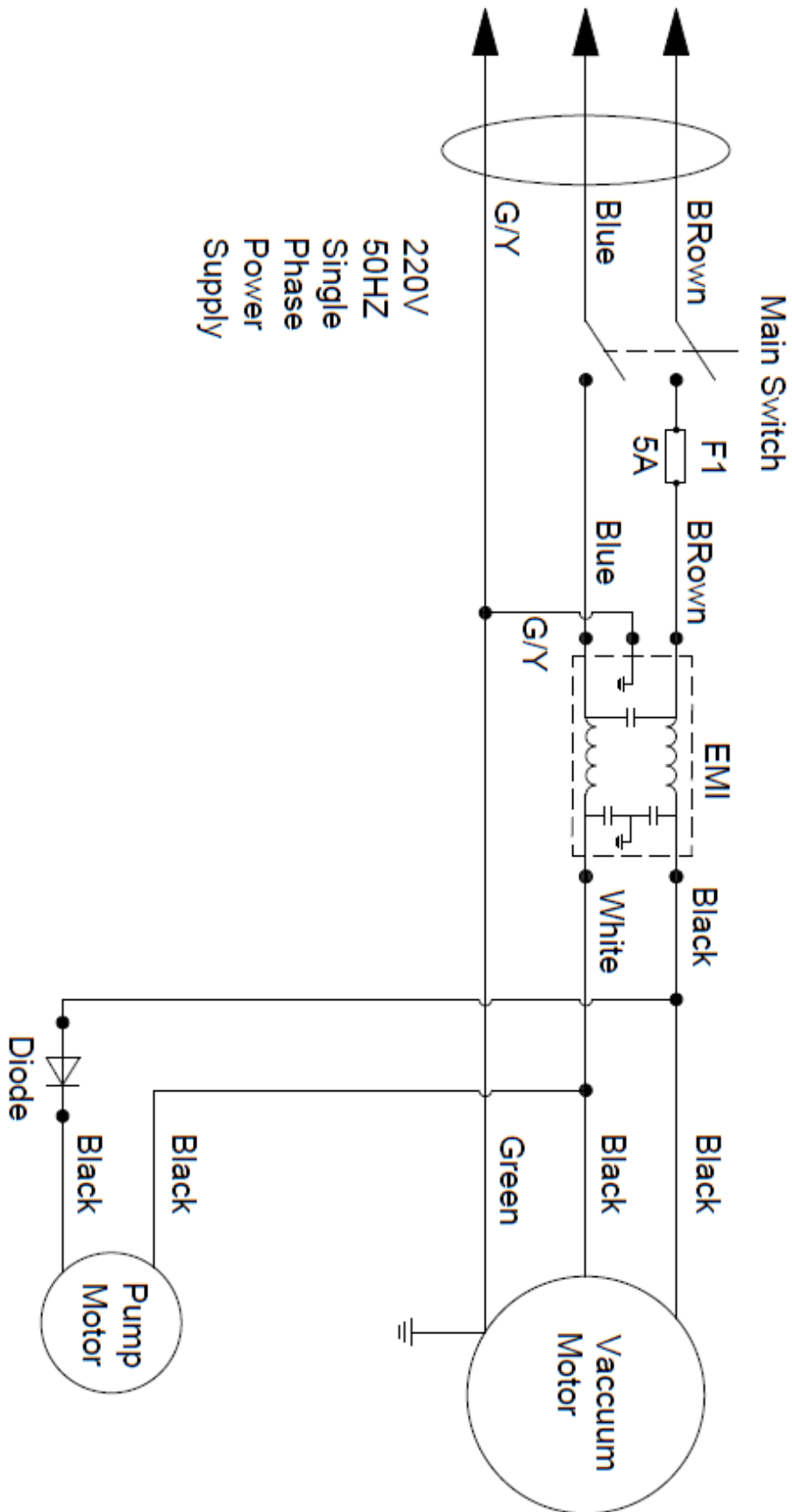


TEKNISKE DATA

Modeller	EU	UK	TURKEY
Master-beskrivelse	WOLF130		
Ref. nr. aksjekode	50000589	50000604	50000603
Spenning	220-240V		
Vakuummotor	1000W		
Amp-forbruk	4.7 ampere		
Vekt	9.85kg		
Fraktvekt	29.8lbs. (13.5 kg)		
Lydeffektnivå	80 dB		
Lydtrykknivå	67 dB A		
Løsningspumpetrykk	30 PSI (2 bar)		
Vannheis (maks vakuum)	85tommer H2O (21.8kpa)		
Strømkabel ft	10 m, sikkerhetsoransje		
Rengjøringsbane tommer	4" (10.2 cm)		
Løsnings- og gjenopprettingstank, gallon	3.8L		
Løsnings- og vakuumslinger ft	3m		
Dimensjon L x B x H	23.3 x 15.4 x 19.3tommer (59 x 39 x 49 cm)		

(*): Ekstraustyr

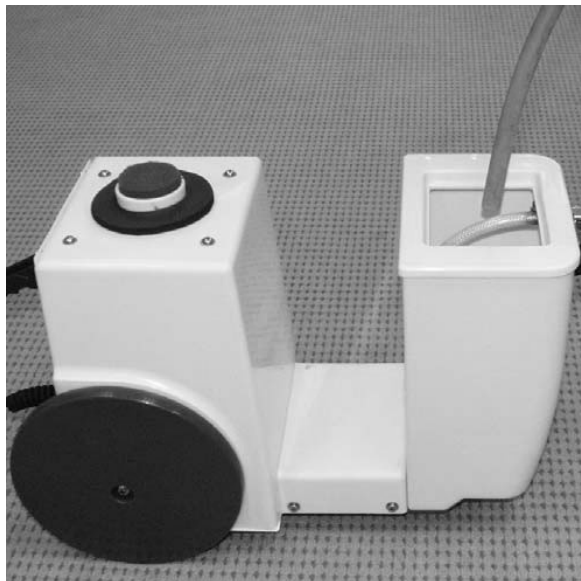
KABLINGSDIAGRAM



BRUKERVEILEDNING

Les brukerhåndboken grundig før du bruker eller utfører service på denne maskinen

- 1) Bruk en slange eller bøtte til å fylle tanken med maksimalt 1 liter vann (vanntemperaturen er under 50 °C).



Ikke bruk brennbare væsker eller bruk maskinen i eller i nærheten av brennbare væsker eller damper

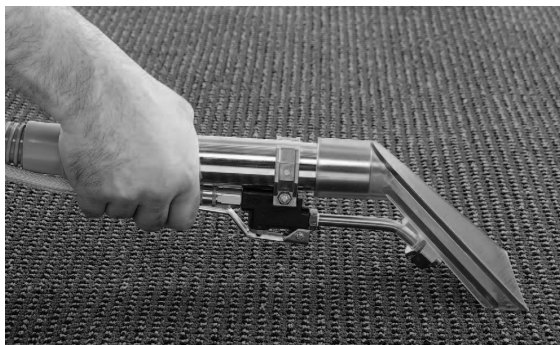
- 2) Koble løsningslangen og vakuumslangen til maskinen.
- 3) Koble strømkabelen til en jordet stikkontakt. (se jordingsinstruksjoner)

DRIFT AV MASKINEN**FØR FJERNING AV FLEKKER**

- 1) Undersøk strømkabelen for skader. Bytt ut kabelen hvis den blir skadet.
- 2) Støvsug teppet for å fjerne rusk før du lufter ut stedet.

FJERNING AV FLEKK

- 1) Plasser strømbryteren i "I" -posisjon.
MERK: Løsningen vil spraye bare når sprayhåndtaket (på håndverktøyet) trekkes tilbake.
- 2) For å begynne å rengjøre, trekk i sprayhåndtaket (håndverktøyet) og begynn å trekke verktøyet bakover over flekken.
- 3) Sipp opp sprayhåndtaket når du har nådd enden på flekken. Fortsett å trekke håndverktøyet tilbake ytterligere 4 tommer for å plukke opp overflødig løsning.



- 4) Fortsett til flekken er fjernet.

DRIFTSRÅD

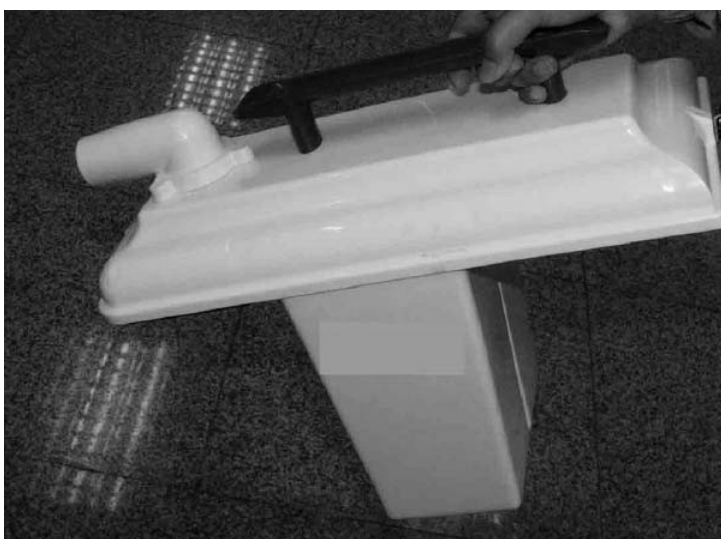
- 1) Bruk bare kaldt vann. Varmt vann kan etterlate flekker.
- 2) Sjekk kontinuerlig for skumdannelse i gjenvinningstanken. Bruk en skumkontrolløsning som er anbefalt av en distributør.
MERK: Overdreven skumoppbygging vil skade vakuummotoren.
- 3) Gjenta utvinningsbanen på sterkt tilsmussede områder.
- 4) Når gjenvinning av den skitne løsningen avsluttes, eller løsningstanken er tom, må du tømme gjenvinningstanken. (se TANKDRENERING)

DRENERE TANKER**DRENERING AV LØSNINGSTANK**

- 1) Slå av maskinen og koble fra strømkilden.
- 2) Koble løsnings- og vakuumslinger fra fronten av maskinen.
- 3) Hekt av klemmene på gjenvinningstanken og fjern gjenvinningstanken fra maskinen.
- 4) Flytt løsningstanken til et godkjent avløp og dump innholdet.

TØMNING AV GJENVINNINGSTANK

- 1) Slå av maskinen og koble fra strømkilden.
- 2) Hekt av klemmene på gjenvinningstanken og fjern gjenvinningstanken fra maskinen.
- 3) Bring gjenvinningstanken til et godkjent avløp og dump innholdet.



- 4) Skyll gjenvinningstanken med rent vann.
- 5) Sett sammen maskinen igjen.

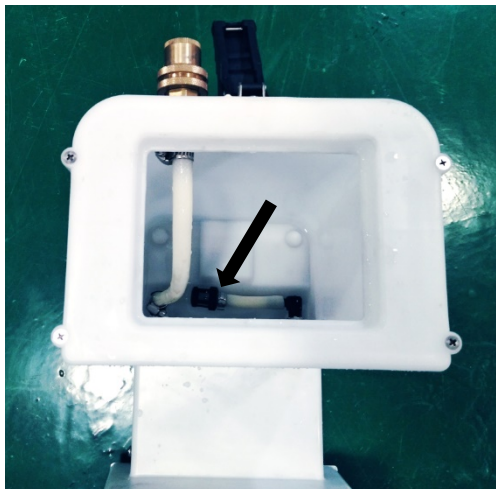
VEDLIKEHOLD

Følg følgende instruksjoner for vedlikehold for å holde maskinen i god stand i mange år.

!!! Kontroller alltid at maskinen er frakoblet før du utfører vedlikehold eller reparasjoner!!!

DAGLIG VEDLIKEHOLD

- 1) Når rengjøringen er fullført for dagen, tøm og skyll gjenvinningstanken grundig med rent vann.
- 2) Fjern gjenværende løsning fra løsningstanken.
- 3) Fjern vakuumsfilteret og skyll med rent vann.
- 4) Bytt filter når det er tørt.



- 5) Fjern og inspiser spraystrålen. Rengjør om nødvendig strålen.

MERK: Ikke rengjør strålen med en spiss gjenstand, da det vil skade strålene.

- 6) Kontroller børstestripen og fjern rusk eller teppefibre.
- 7) Sjekk håndverktøyets sughode og fjern eventuelt rusk eller teppefibre.
- 8) Rengjør maskinen med et ikke-slipende rengjøringsmiddel.
- 9) Undersøk strømkabelen for skader. Bytt ut om nødvendig.

MÅNEDLIG VEDLIKEHOLD

- 1) Skyll pumpen og røranlegget med en eddiksyreløsning for å løse opp kjemisk ansamling.
Blandingsinstruksjoner:
 - a. Forbland 8 oz. av en eddiksyreløsning med 1 liter vann og hell i løsningstanken.
 Slå på vakuumpumpebryteren.
 - b. Sett gulvverktøyhodet over gulvavløpet og trekk løsningsutløseren i ett (1) minutt.
 - c. Slå av maskinen og etterlat den gjenværende løsningen i maskinen over natten.
 - d. Dagen etter sprayer du ut gjenværende løsning og skyller systemet igjen med 1 liter rent vann.
- 2) Inspiser maskinen for vannlekkasjer.
- 3) Kontroller om det er løse eller manglende muttere, skruer og bolter, og skift ut etter behov.

MASKINLAGRING

- 1) Før du lagrer maskinen, må du sørge for at løsnings- og gjenvinningstankene er rene og foruten løsning.
- 2) Oppbevar maskinen i oppreist stilling på et tørt sted, med vakuumslangen fjernet for luftsirkulasjon.

MERK: Hvis du oppbevarer maskinen i et område som kan fryse, må du sørge for at både tankene og avløpsrørene er tomme for alt vann og er tørre!

GRUNNLEGGENDE FEILSØKING

Feil	Mulige årsaker	Tilak
Maskinen fungerer ikke	Ikke koblet til strømkilden	Koble til en jordet stikkontakt
	Feil strømkabel	Kontakt distributør
	Feil forlengelseskabel	Bytt ut med ny skjøteledning
	Bygningsbryter utløst	Tilbakestill strømbryteren
Løsningspumpen fungerer ikke	Vakuumpumpe/pumpebryter er ikke på	Slå på bryteren
	Vakuumpumpe/pumpebryter defekt	Kontakt distributør
	Feil magnetventil	Kontakt distributør
	Feil løsningspumpe	Kontakt distributør
	Pumpen er overopphetet	Finn årsaken, og la pumpen avkjøles i 30 minutter
	Løse eller ødelagte ledninger	Kontakt distributør
Vakuummotoren fungerer ikke	Vakuumpumpe/pumpebryter er ikke på	Slå på bryteren
	Vakuumpumpe/pumpebryter defekt	Kontakt distributør
	Vakuummotorens overbelastning utløst	Sjekk for hindring og la avkjøles i 30 minutter
	Feil vakuummotor	Kontakt distributør
	Slitte karbonbørster	Kontakt distributør
	Løse eller ødelagte ledninger	Kontakt distributør
Dårlig opphenting	Luft lekker rundt gjenvinningspakningen	Forsikre deg om at gjenvinningsløkket er godt tilstrammet
	Vakuumpakningen er skadet eller slitt	Bytt pakning
	Løse vakuumslangeforbindelser	Forsikre deg om at vakuumslangeforbindelsene er tette
	Defekt vakuumslange	Bytt vakuumslange
	Løse mansjetter til vakuumslinger	Forsikre deg om at mansjetter er festet til huset
	Vakuumslangen er tett	Fjern hindringen fra vakuumslangen
Ujevn eller ingen spray	Løsningstanken er tom eller lav	Fyll løsningstanken
	Vakuumpumpe/pumpebryter er ikke på	Slå på bryteren
	Skitne eller tilstoppede sprayspisser	Rengjør eller bytt ut sprayspissene
	Feil størrelse på sprayspiss eller sprayvinkel	Kontakt distributør
	Slitte sprayspisser	Kontakt distributør
	Feil løsningspumpe	Kontakt distributør
	Tilstoppet filter for løsningstank	Rengjør eller bytt filter
	Klemt eller knukket løsningslange	Sjekk for hindringer og knekk, og omdiriger eller bytt ut etter behov

FEILSØKING**SKROTING**

Skrot maskinen gjennom den kvalifiserte avfallsbehandlingsinstitusjonen.

Før maskinen er skrotet, fjern og separer underenheten nedenfor som i henhold til relevante lover og forskrifter må avfallshåndteres på riktig måte.

- Børste-/puteholder
- Plastslange og plastdeler
- Elektriske og elektroniske komponenter (*)

(*) Ta kontakt med vårt selskapsservicesenter for destruering av elektrisk og elektroniske komponenter.

Sammensetning av og resirkuleringskompatibiliteten til maskinmaterialet

Type	Resirkulerbar prosentandel	WOLF130 Vektprosentandel %
Elektriske motorer - diverse	20%	22%
Jernholdige materialer	80%	20%
Ledningsnett	80%	1%
Væsker	100%	0%
Plast, ikke-resirkulerbart materiale	0%	1%
Plast, resirkulerbart materiale	100%	45%
Gummi	20%	1%

WPROWADZENIE**UWAGA**

Liczby w nawiasach odnoszą się do elementów pokazanych w rozdziale Opis maszyny.

CEL I ZAWARTOŚĆ PRZEWODNIKA

Celem niniejszej instrukcji jest przekazanie operatorowi wszystkich podstawowych informacji i charakterystyk technicznych dotyczących sposobu obsługi, postępowania z maszyną nieużywaną, części zamiennych, warunków bezpieczeństwa itp.

Przed przystąpieniem do jakichkolwiek czynności przy maszynie operatorzy i wykwalifikowani technicy muszą przeczytać uważnie instrukcję obsługi. W razie jakichkolwiek wątpliwości dotyczących interpretacji instrukcji lub potrzeby uzyskania informacji dodatkowych należy się skontaktować z naszą firmą.

SPOSÓB PRZECHOWYWANIA NINIEJSZEJ INSTRUKCJI OBSŁUGI

Instrukcję obsługi należy przechowywać w pobliżu maszyny, w odpowiednim schowku, zabezpieczoną przed płynami i innymi substancjami, które mogłyby ją zniszczyć.

DEKLARACJA ZGODNOŚCI

Deklaracja zgodności dołączona do urządzenia potwierdza zgodność maszyny z obowiązującymi przepisami.

**UWAGA**

Do dokumentacji maszyny dołączono dwa oryginalne egzemplarze deklaracji zgodności.

AKCESORIA I KONSERWACJA

Czynności obsługowe, konserwacyjne i naprawy może prowadzić tylko wykwalifikowany personel albo punkt serwisowy wyznaczony przez naszą firmę. Należy używać TYLKO oryginalnych części zamiennych i akcesoriów.

W celu uzyskania serwisu lub nabycia akcesoriów bądź części zamiennych, prosimy o kontakt z naszym centrum obsługi klienta.

ZMIANY I MODERNIZACJE

Nasza firma stale doskonali swoje produkty i zastrzega sobie prawo do wprowadzania zmian i modernizacji bez dodatkowego informowania o tym.

ZASTOSOWANIE

Ta maszyna jest przeznaczona do użytku komercyjnego. Została skonstruowana do użytku w pomieszczeniach i nie jest przeznaczona do użytku w innych warunkach. Używaj tylko zalecanych akcesoriów.

DANE IDENTYFIKACYJNE MASZYNY

Model oraz numer seryjny urządzenia znajduje się na tabliczce znamionowej.

To ważne informacje. Prosimy w tabeli poniżej wpisać te dane, bo będą potrzebne przy zamawianiu części zamiennych.

MODEL MASZYNY

NUMER SERYJNY MASZYNY

TRANSPORT I ODPAKOWANIE

Dokładnie sprawdź, czy karton wysyłkowy nie jest uszkodzony. Natychmiast zgłaszaj przewoźnikowi wszelkie uszkodzenia kartonu.

Sprawdź zawartość kartonu, aby upewnić się, że niczego nie brakuje. Skontaktuj się z dystrybutorem, jeśli czegoś brakuje.

Zawartość:

- Urządzenie do usuwania plam z dywanów
- Przewody podciśnienia i roztworu
- Narzędzie ręczne

BEZPIECZEŃSTWO

Poniższe symbole wskazują na potencjalne niebezpieczeństwo. Zawsze czytać tak oznakowane informacje i przedsięwziąć wszelkie środki ostrożności w celu ochrony ludzi i mienia.

SYMBOLE NA URZĄDZENIU**OSTRZEŻENIE!**

Uważnie przeczytać instrukcje przed wykonaniem jakiegokolwiek czynności na urządzeniu.

**OSTRZEŻENIE!**

Nie myć urządzenia bezpośrednio wodą ani strumieniem wody pod ciśnieniem.

SYMBOLE WYSTĘPUJĄCE W INSTRUKCJI OBSŁUGI**NIEBEZPIECZEŃSTWO!**

Wskazuje na wystąpienie niebezpiecznej sytuacji, śmiertelnie zagrażającej operatorowi.

**OSTRZEŻENIE!**

Wskazuje na potencjalne ryzyko powstania uszczerbku na zdrowiu ludzi.

**PRZESTROGA!**

Wskazuje na ostrzeżenie lub informację dotyczącą ważnej lub użytecznej funkcji. Zwracać uwagę na akapity z tym znakiem w tekście.

**UWAGA**

Wskazuje na informację dotyczącą jakiejś ważnej lub użytecznej funkcji.

**SPRAWDZIĆ**

Wskazuje na konieczność zajrzenia do Instrukcji użytkownika przed wykonaniem czynności.

OGÓLNA INSTRUKCJA BHP

Informacje ogólne – podczas użytkowania maszyna do usuwania plam z dywanów powinna być uziemiona, aby chronić operatora przed porażeniem prądem elektrycznym. Maszyna jest wyposażona w trójżyłkową wtyczkę uziemiającą, która pasuje do odpowiedniego gniazdka z uziemieniem. Zielony (lub zielono-żółty) przewód w przewodzie to drut uziemiający. Nigdy nie podłączaj tego przewodu do innego bolca niż bolec uziemienia wtyczki.

To urządzenie jest przeznaczone do użytku z nominalnym obwołem 220–240 V; wyposażone jest we wtyczkę uziemiającą, która przypomina wtyczkę pokazaną na poniższym rysunku. Upewnij się, że urządzenie jest podłączone do gniazdka o tej samej konfiguracji co wtyczka. Z tym urządzeniem nie należy używać adaptera.

Poniżej przedstawiono specyficzne ostrzeżenia informujące o możliwości doznania uszczerbku na zdrowiu lub uszkodzenia maszyny.

**NIEBEZPIECZEŃSTWO!**

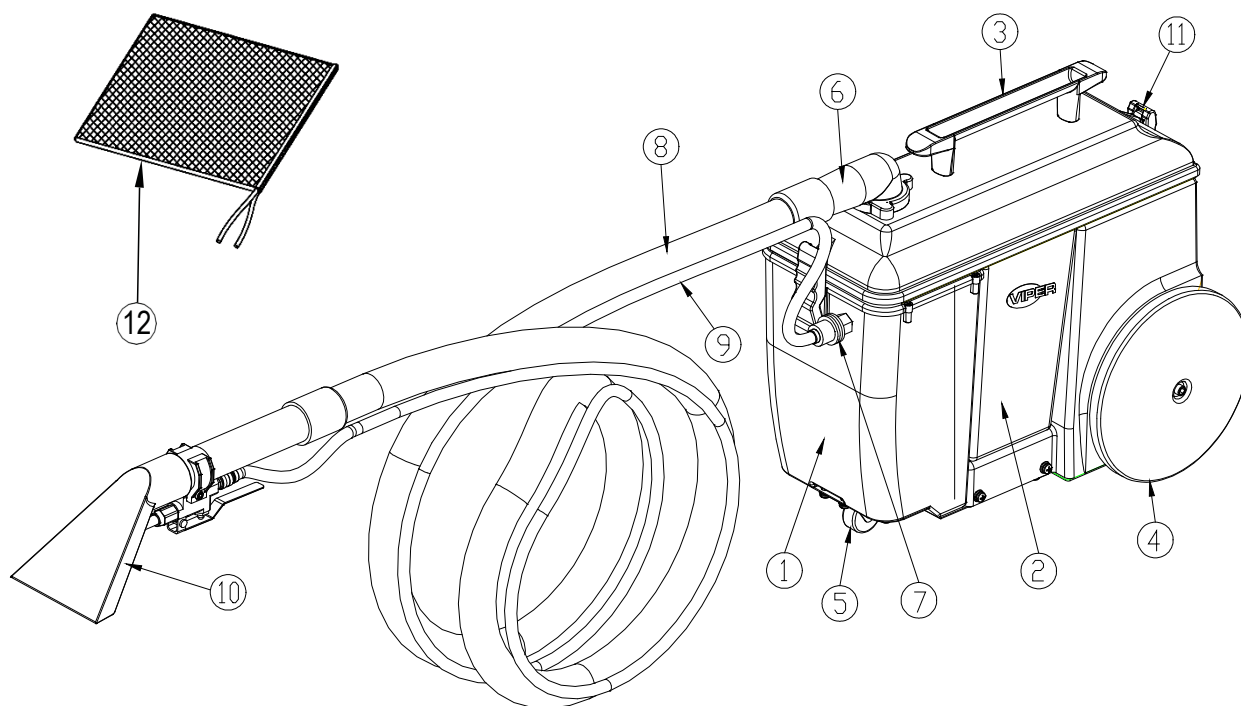
- Maszynę może obsługiwać tylko przeszkolony i upoważniony personel, zgodnie z wytycznymi tej instrukcji.
- Przed wykonaniem jakiegokolwiek procedury czyszczenia, konserwacji, naprawy lub wymiany przeczytaj uważnie wszystkie instrukcje i upewnij się, że urządzenie jest WYŁĄCZONE.
- Nie używać maszyny w miejscach, gdzie znajdują się toksyczne, niebezpieczne, łatwopalne i/lub wybuchowe materiały sypkie, ciecze lub opary. Urządzenie nie nadaje się do zbierania niebezpiecznych pyłów.
- Pracując przy podzespołach elektrycznych, nie należy nosić biżuterii.
- Nie należy pracować pod podniesioną maszyną, jeśli nie jest ona w bezpieczny sposób podparta.

**OSTRZEŻENIE!**

- Maszyna jest przeznaczona do UŻYTKU KOMERCYJNEGO, np. w hotelach, szkołach, szpitalach, zakładach przemysłowych, sklepach, biurach czy wypożyczalniach.
- W przypadku pozostawiania maszyny bez nadzoru należy ją zabezpieczyć przed przypadkowym poruszeniem się.
- Aby zapobiec użyciu maszyny przez osoby nieuprawnione, źródło zasilania powinno być wyłączone lub zablokowane.
- Przed każdym użyciem dokładnie sprawdzać stan maszyny. Przed użyciem sprawdzić czy dobrze poskładano wszystkie części. Elementy poluzowane mogą spowodować obrażenia ciała i szkody materialne.
- Nie przemieszczać maszyny ciągnąc za kabel. Nie przekładać kabla przez szczelinę w drzwiach ani wokół ostrych krawędzi lub narożników. Nie przejeżdżaj maszyną po kablu. Kabel należy trzymać z dala od nagranych powierzchni.
- Aby ograniczyć ryzyko wystąpienia pożaru, porażenia elektrycznego lub obrażeń, przed opuszczeniem maszyny należy się upewnić, że jest ona wyłączona.
- Maszynę należy użytkować i przechowywać wewnątrz pomieszczeń, w warunkach suchych. Użytkowanie na zewnątrz jest niedozwolone.
- Temperatura pracy oraz przechowania maszyny musi mieścić się w zakresie od 0°C do +40°C, a wilgotność powietrza w zakresie od 30% do 95%.
- Nie używać maszyny na pochyłościach o nachyleniu większym niż określono w specyfikacji.
- W przypadku stosowania detergentów do podłóg, przestrzegać instrukcji podanych na etykietach umieszczonych na pojemnikach z tymi środkami oraz nosić odpowiednie rękawice i inne zabezpieczenia.
- W przypadku nieprawidłowego działania maszyny, należy upewnić się, że nie jest to spowodowane brakiem konserwacji. W razie konieczności, zwrócić się o pomoc do upoważnionego personelu lub autoryzowanego punktu serwisowego.

- Należy przedsięwziąć wszelkie środki ostrożności, aby zapobiec zahaczeniu się włosów, biżuterii lub luźnych ubrań o ruchome części maszyny.
- Nie używać maszyny w miejscach szczególnie zapyłonych.
- Nie myć urządzenia strumieniem wody pod ciśnieniem ani przy użyciu substancji żrących.
- Nie uderzać w regały i rusztowania, zwłaszcza jeżeli istnieje ryzyko spadnięcia z nich przedmiotów.
- Nie kłaść pojemników z płynami na maszynie; używać odpowiednich uchwytów na pojemniki.
- W przypadku pożaru stosować gaśnice proszkowe. Nie stosować gaśnic płynowych.
- Nie usuwać ani nie zmieniać etykiet umieszczonych na maszynie.
- Zachowywać szczególną ostrożność podczas transportowania maszyny w temperaturach poniżej zera. Woda w zbiorniku zwrotnym lub węzłach mogłaby zamrznąć i spowodować poważne uszkodzenia maszyny.
- Jeżeli potrzebne są części zamienne, należy zamawiać ORYGINALNE części u autoryzowanych agentów lub sprzedawców.
- Jeżeli maszyna jest uszkodzona lub nie działa tak jak powinna, należy zwrócić ją do autoryzowanego punktu serwisowego.
- Aby zapewnić prawidłowe i bezpieczne działanie maszyny, należy przeprowadzać okresowe przeglądy techniczne opisane w stosownym rozdziale niniejszej instrukcji, które muszą być wykonywane tylko przez uprawnionych pracowników lub autoryzowanych agentów bądź sprzedawców.
- Maszyna służy wyłącznie do czyszczenia. Nie należy korzystać z niej w żadnym innym celu.
- Chronić otwory przed pyłem, włosami i innymi ciałami obcymi, które mogą ograniczyć przepływ powietrza. Nie używać urządzenia, w którym otwory zostały zaczopowane.
- Z maszyny można korzystać tylko przy odpowiednim oświetleniu.
- Maszyna nie jest przeznaczona do użytku przez osoby (w tym dzieci) o obniżonych zdolnościach fizycznych, czuciowych lub umysłowych albo bez odpowiedniego doświadczenia i wiedzy.
- Należy zwracać baczność uwagę na dzieci znajdujące się w pobliżu miejsca pracy.
- Dzieci należy pilnować, aby nie używały maszyny do zabawy.
- Podczas użytkowania maszyny uważać, by nie spowodować uszczerbku na zdrowiu ludzi ani szkód materialnych.
- Czyszczenie i konserwacja nie powinny być wykonywane przez dzieci bez nadzoru.
- Operator musi być odpowiednio przeszkolony z korzystania z tego typu maszyn.
- To urządzenie zawiera uziemienie wyłącznie w celach funkcjonalnych.
- Jeśli przewód zasilający ulegnie uszkodzeniu, należy go wymienić u producenta, jego przedstawiciela serwisowego lub podobnie wykwalifikowanego podmiotu w celu uniknięcia zagrożenia.
- Wyjmowanie wtyczki z gniazdka podczas czyszczenia lub konserwacji oraz podczas wymiany części lub przestawiania maszyny na inną funkcję.

**OPIS URZĄDZENIA
BUDOWA MASZYNY**

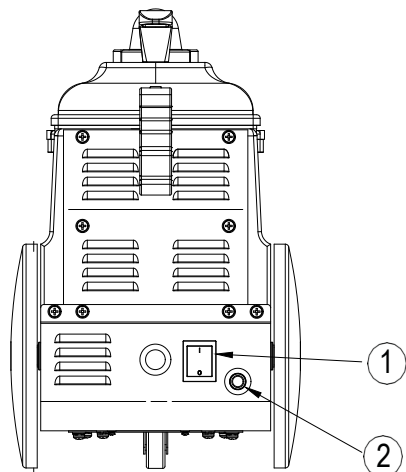


Rysunek 1

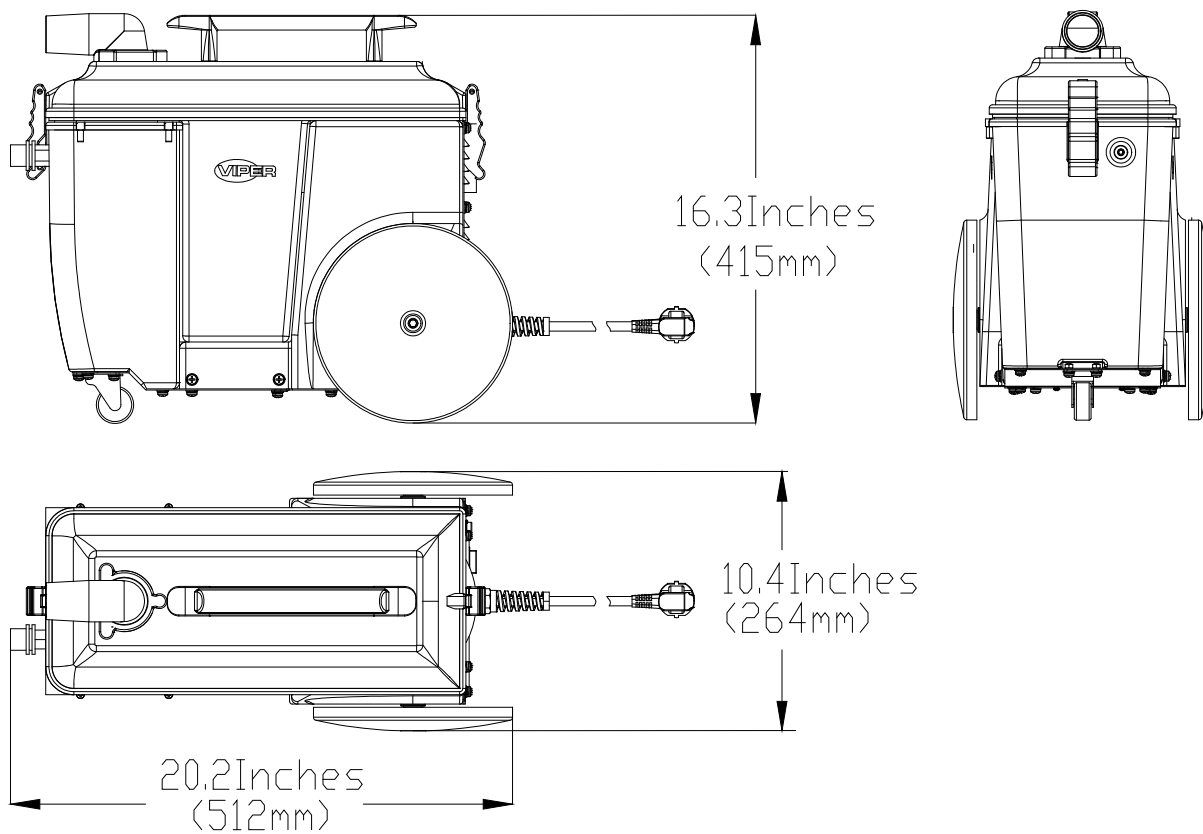
- | | |
|---------------------------------|----------------------------------|
| 1. Zbiornik na roztwór | 7. Złącze przewodu roztworu |
| 2. Zbiornik odzysku | 8. Przewód podciśnienia |
| 3. Uchwyt | 9. Przewód roztworu |
| 4. Kółka transportowe | 10. Narzędzie ręczne |
| 5. Przednie kółko | 11. Zacisk |
| 6. Złącze przewodu podciśnienia | 12. Niebieska torba na akcesoria |

PANEL STEROWANIA

1. Przełącznik zasilania
2. Ochrona przed przeciążeniem



WIELKOŚCI MASZINY

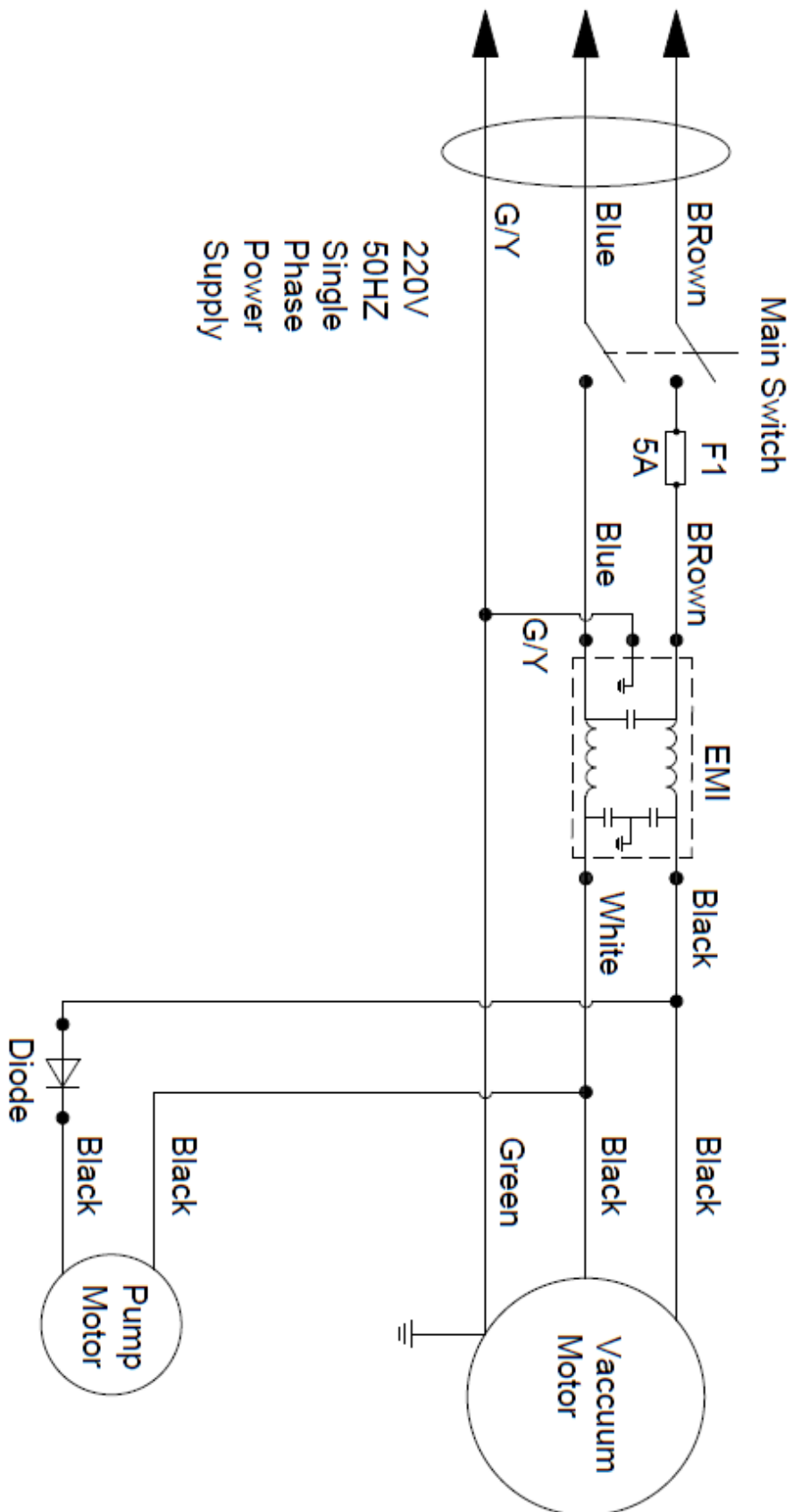


PARAMETRY TECHNICZNE

Modele	EU	UK	TURKEY
Opis główny	WOLF130		
Nr ref., kod magazynowy	50000589	50000604	50000603
Napięcie	220-240V		
Silnik próżniowy	1000W		
Pobór prądu	4.7 amperów		
Waga	9.85kg		
Waga wysyłki	29.8funtów (13.5 kg)		
Poziom mocy akustycznej	80 dB		
Poziom ciśnienia akustycznego	67 dB A		
Ciśnienie pompy roztworu	30 PSI (2 bary)		
Podnośnik wodny (maks. podciśnienie)	85caliH ₂ O (21.8kpa)		
Kabel zasilający, stopy	10 m, pomarańczowy bezpieczeństwa		
Tor czyszczenia, cale	4" (10.2 cm)		
Zbiornik na roztwór i odzysku, galony	3.8L		
Przewody roztworu i podciśnienia, stopy	3m		
Wymiar dł. x szer. x wys.	23.3 x 15.4 x 19.3 cala (59 x 39 x 49 cm)		

(*) : opcja

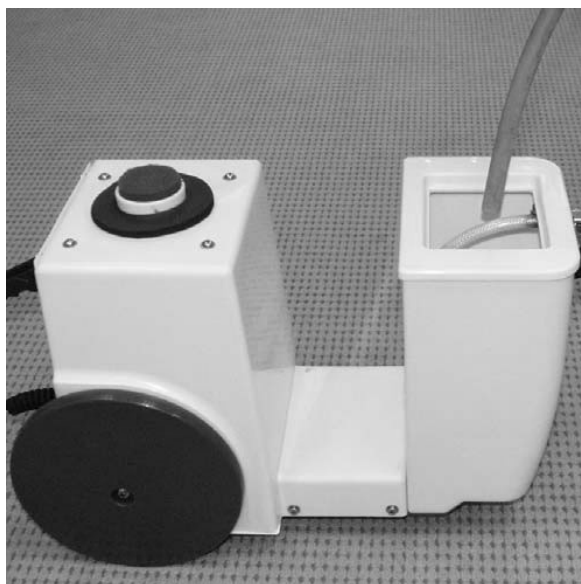
SCHEMAT ELEKTRYCZNY



SPOSÓB UŻYCIA

Przed przystąpieniem do obsługi lub serwisowania tej maszyny przeczytaj dokładnie instrukcję.

- 1) Za pomocą węża lub wiadra napełnij zbiornik maks. 1 gal wody (temperatura wody powinna być niższa niż 50 °C).



Nie używaj łatwopalnych cieczy ani nie obsługuj maszyny w pobliżu łatwopalnych cieczy lub oparów.

- 2) Podłącz przewód roztworu i podciśnienia do maszyny.
- 3) Podłącz kabel zasilający do uziemionego gniazdka ściennego. (patrz instrukcje dotyczące uziemienia).

OBSŁUGA MASZYNY

PRZED PRZYSTĄPIENIEM DO USUWANIA PLAM

- 1) Sprawdź kabel zasilający pod kątem uszkodzeń. W przypadku stwierdzenia uszkodzenia wymień kabel.
- 2) Przed przystąpieniem do czyszczenia plam odkurz dywan, aby usunąć zanieczyszczenia.

USUWANIE PLAM

- 1) Ustaw wyłącznik zasilania w pozycji „I”.
UWAGA: Roztwór rozpyli się tylko wtedy, gdy uchwyt spryskiwacza (na narzędziu ręcznym) zostanie pociągnięty.
- 2) Aby rozpocząć czyszczenie, pociągnij uchwyt spryskiwacza (narzędzie ręczne) i zacznij przeciągać narzędzie do tyłu nad plamą.
- 3) Zwolnij uchwyt spryskiwacza po dotarciu do końca plamy. Ciągnij narzędzie ręczne jeszcze przez 4 cali, aby zebrać nadmiar roztworu.



- 4) Kontynuuj, aż plama zostanie usunięta.

WSKAZÓWKI DOTYCZĄCE OBSŁUGI

- 1) Używaj tylko zimnej wody. Gorąca woda może spowodować utrwalenie plamy.
- 2) Stale sprawdzaj, czy w zbiorniku nie zbiera się piana. Używaj roztworu przeciwpiennego zalecanego przez dystrybutora.
UWAGA: Nadmiar piany spowoduje uszkodzenie silnika próżniowego.
- 3) Powtórz ekstrakcję na mocno zabrudzonych obszarach.
- 4) Po zakończeniu odzysku brudnego roztworu lub po opróżnieniu zbiornika na roztwór należy opróżnić zbiornik odzysku. (patrz OPRÓŻNIANIE ZBIORNIKA).

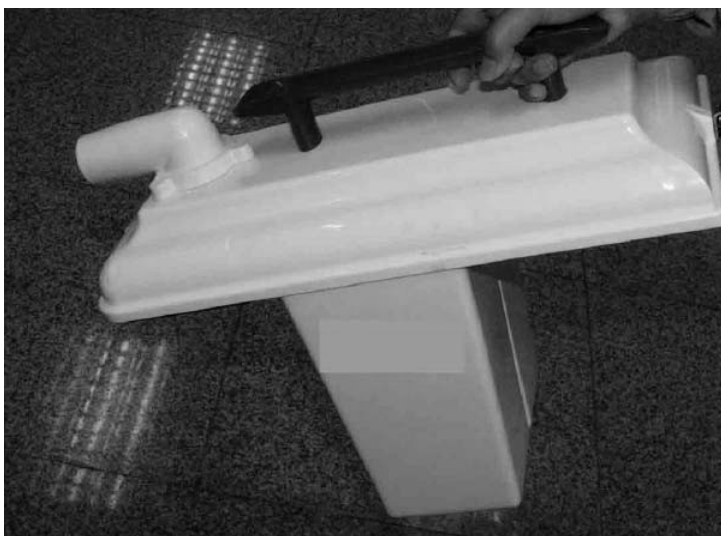
OPRÓŻNIANIE ZBIORNIKÓW

OPRÓŻNIANIE ZBIORNIKA NA ROZTWÓR

- 1) Wyłącz urządzenie i odłącz od źródła zasilania.
- 2) Odłącz przewody roztworu i podciśnienia z przedniej części maszyny.
- 3) Odczep zaciski na zbiorniku odzysku i zdejmij go z maszyny.
- 4) Przenieś zbiornik na roztwór w pobliże zatwierdzonego odpływu i zrzuć zawartość.

OPRÓŻNIANIE ZBIORNIKA ODZYSKU

- 1) Wyłącz urządzenie i odłącz od źródła zasilania.
- 2) Odczep zaciski na zbiorniku odzysku i zdejmij go z maszyny.
- 3) Przenieś zbiornik odzysku w pobliże zatwierdzonego odpływu i zrzuć zawartość.



- 4) Wypłucz zbiornik odzysku czystą wodą.
- 5) Ponownie zmontuj maszynę.

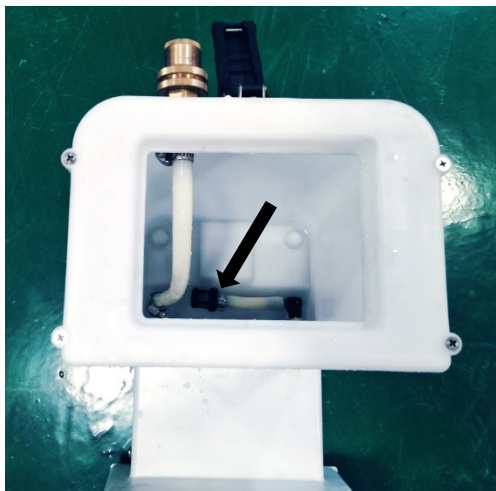
KONSERWACJA

Aby zapewnić wydajne działanie maszyny przez wiele lat, należy przestrzegać następujących procedur konserwacyjnych.

!!! Przed wykonaniem jakichkolwiek czynności konserwacyjnych lub naprawczych zawsze upewnij się, że urządzenie jest odłączone od zasilania!!!

KONSERWACJA CODZIENNA

- 1) Po zakończeniu codziennego czyszczenia należy opróżnić i dokładnie wypłukać zbiornik odzysku czystą wodą.
- 2) Usunąć pozostały płyn ze zbiornika na roztwór.
- 3) Wyjąć filtr próżniowy i opłukać go czystą wodą.
- 4) Po wyschnięciu zamontuj filtr ponownie.



- 5) Wyjmij i sprawdź dyszę rozpylającą. W razie potrzeby wyczyść dyszę.

UWAGA: Nie czyścić dyszy rozpylającej ostrym przedmiotem, ponieważ spowoduje to jej uszkodzenie.

- 6) Sprawdź pasek szczotki i usuń wszelkie zanieczyszczenia lub włókna dywanu.
- 7) Sprawdź zbierające czołowe narzędzie ręczne i usuń wszelkie zanieczyszczenia lub włókna dywanu.
- 8) Czyść maszynę nieściernym środkiem czyszczącym.
- 9) Sprawdź kabel zasilający pod kątem uszkodzeń. W razie potrzeby wymień.

KONSERWACJA MIESIĘCZNA

- 1) Przepłucz pompę i przewody wodociągowe roztworem kwasu octowego, aby rozpuścić nagromadzone chemikalia.

Instrukcje dotyczące mieszania:

- a. Zmieszaj wstępnie 8 oz. roztworu kwasu octowego z 1 gal wody i wlej do zbiornika na roztwór.

Włącz przełącznik podciśnienia/pompy.

- b. Umieść głowicę narzędzia podłogowego nad odpływem podłogowym, a następnie pociągnij i przytrzymaj spust roztworu przez jedną (1) minutę.
- c. Wyłącz maszynę i pozostaw pozostały roztwór na noc.
- d. Następnego dnia rozpyl pozostały roztwór i ponownie przepłucz układ 1 gal czystej wody.

- 2) Sprawdź maszynę pod kątem wycieków wody.
- 3) Sprawdź maszynę pod kątem luźnych lub brakujących nakrętek, śrub i sworzni; wymień w razie potrzeby.

PRZECHOWYWANIE MASZINY

- 1) Przed pozostawieniem maszyny w magazynie należy upewnić się, że zbiornik na roztwór i zbiornik odzysku są czyste i opróżnione z jakiegokolwiek roztworu.
- 2) Przechowuj maszynę w pozycji pionowej w suchym miejscu, z odłączonym przewodem podciśnienia w celu zapewnienia cyrkulacji powietrza.

UWAGA: Jeśli przechowujesz maszynę w miejscu, w którym mogą panować temperatury poniżej zera, upewnij się, że zarówno zbiorniki, jak i przewody wodociągowe są opróżnione z wody i suche!

ROZWIĄZYWANIE PODSTAWOWYCH PROBLEMÓW

Usterka	Możliwa przyczyna	Środek zaradczy
Maszyna nie działa	Nie podłączono do źródła zasilania	Podłącz do uziemionego gniazdka
	Wadliwy kabel zasilający	Skontaktuj się z dystrybutorem
	Wadliwy przedłużacz kabla zasilającego	Wymień na nowy przedłużacz
	Zadziałał wyłącznik automatyczny w budynku	Zresetuj wyłącznik
Pompa roztworu nie działa	Przełącznik podciśnienia/pompy nie jest włączony	Włącz przełącznik
	Uszkodzony przełącznik podciśnienia/pompy	Skontaktuj się z dystrybutorem
	Wadliwy solenoid	Skontaktuj się z dystrybutorem
	Wadliwa pompa roztworu	Skontaktuj się z dystrybutorem
	Pompa przegrzana	Ustal przyczynę i odczekaj 30 minut, aż pompa ostygnie
	Luźne lub uszkodzone okablowanie	Skontaktuj się z dystrybutorem
Silnik próżniowy nie działa	Przełącznik podciśnienia/pompy nie jest włączony	Włącz przełącznik
	Uszkodzony przełącznik podciśnienia/pompy	Skontaktuj się z dystrybutorem
	Wystąpiło przeciążenie termiczne silnika próżniowego	Sprawdź, czy nie ma blokad i pozwól mu ostygnąć przez 30 minut
	Wadliwy silnik próżniowy	Skontaktuj się z dystrybutorem
	Zużyte szczotki węglowe	Skontaktuj się z dystrybutorem
	Luźne lub uszkodzone okablowanie	Skontaktuj się z dystrybutorem
Słaba siła zbierania	Wyciek powietrza wokół uszczelki odzysku	Upewnij się, że pokrywa zbiornika odzysku jest mocno dokręcona
	Uszczelka próżniowa uszkodzona lub zużyta	Wymień uszczelkę
	Luźne złącza przewodu podciśnienia	Upewnij się, że złącza przewodu podciśnienia są szczelne
	Uszkodzony przewód podciśnienia	Wymień przewód podciśnienia
	Luźne pierścienie uszczelniające przewodów podciśnienia	Upewnij się, że pierścienie uszczelniające są dobrze przymocowane do obudowy
	Zatkany przewód podciśnienia	Usuń blokadę z przewodu podciśnienia
Nierówny rozprysk lub brak roztworu	Zbiornik na roztwór jest pusty lub niski poziom roztworu	Napełnij zbiornik roztworem
	Przełącznik podciśnienia/pompy nie jest włączony	Włącz przełącznik
	Brudne lub zatkane rozpylacze	Wyczyść lub wymień rozpylacze
	Niewłaściwy rozmiar rozpylacza lub kąt rozpylania	Skontaktuj się z dystrybutorem
	Zużyte rozpylacze	Skontaktuj się z dystrybutorem
	Wadliwa pompa roztworu	Skontaktuj się z dystrybutorem
	Zatkany filtr zbiornika na roztwór	Wyczyść lub wymień filtr
	Ściśnięty lub zagięty przewód roztworu	Sprawdź, czy nie ma blokad i załamań i zmień położenie lub wymień w razie potrzeby

ROZWIĄZYWANIE PROBLEMÓW**UTYLIZACJA**

Utylizację urządzenia zlecić specjalistycznej firmie.

Przed utylizacją, wyjąć i posegregować poniższe podzespoły, które zgodnie z przepisami należy utylizować odrębnie.

- Szczotka/uchwyt pada
- Węże i elementy z tworzyw sztucznych
- Podzespoły elektryczne i elektroniczne (*)

(*) Prosimy o kontakt z naszym punktem serwisowym w celu utylizacji podzespołów elektrycznych i elektronicznych.

Materiały zawarte w maszynie i przydatność do recyklingu

Typ	Procent nadający się do recyklingu	WOLF130 Udział procentowy w masie %
Silniki elektryczne – różne	20%	22%
Materiały żelazne	80%	20%
Wiązki przewodów	80%	1%
Płyny	100%	0%
Tworzywa sztuczne niezdatne do recyklingu	0%	1%
Tworzywa sztuczne zdatne do recyklingu	100%	45%
Guma	20%	1%

INTRODUÇÃO**NOTA**

Os números em parêntesis referem-se aos componentes mostrados no capítulo da Descrição da Máquina.

FINALIDADE E CONTEÚDOS DO GUIA

O objetivo desta instrução de utilização é de fornecer ao operador todas as informações básicas e características técnicas, operação, inatividade da máquina, peças sobressalentes e condições de segurança etc.

Antes de realizar qualquer procedimento na máquina, os operadores e técnicos qualificados devem ler as Instruções do Manual de Utilização. Contacte a nossa empresa em caso de dúvidas sobre a interpretação das instruções ou para mais informação.

COMO MANTER ESTAS INSTRUÇÕES DE UTILIZAÇÃO

As instruções de utilização e manutenção devem ser guardadas próximo da máquina, dentro do seu estojo, protegidas de líquidos e tudo mais que possa deteriorar o seu estado de legibilidade.

DECLARAÇÃO DE CONFORMIDADE

A Declaração de Conformidade é fornecida juntamente com a máquina e certifica-a sobre o cumprimento das leis.

**NOTA**

São fornecidas cópias da declaração de conformidade original juntamente com a documentação da máquina.

ACESSÓRIOS E MANUTENÇÃO

Todos os procedimentos de operação, manutenção e reparação devem ser realizados por pessoal qualificado, ou pelo centro de assistência nomeado pela nossa empresa. SÓ devem ser utilizadas peças de substituição e acessórios autorizados.

Contacte no nosso apoio ao cliente para qualquer tipo de assistência ou compra de acessórios ou peças de substituição, se necessário.

ALTERAÇÃO E MELHORAMENTO

Estamos comprometidos com a melhoria contínua dos nossos produtos e a empresa reserva-se o direito de efetuar alterações e melhorias na máquina sem informações adicionais.

ÂMBITO DE APLICAÇÃO

Esta máquina destina-se a utilização comercial. É construída para utilização em ambientes internos e não se destina a nenhuma outra utilização. Utilize apenas os acessórios recomendados.

DADOS DE IDENTIFICAÇÃO DA MÁQUINA

O número de série da máquina e o nome do modelo situam-se na etiqueta de série.

Esta informação é útil. Utilize a tabela seguinte para apontar os dados de identificação da máquina quando pedir as peças de substituição para a máquina.

MODELO DA MÁQUINA

NÚMERO DE SÉRIE DA MÁQUINA.....

TRANSPORTE E DESEMBALAGEM

Verifique cuidadosamente se existem sinais de danos na caixa de transporte. Comunique imediatamente qualquer dano na caixa ao transportador.

Verifique o conteúdo da caixa para garantir que esteja completa. Contacte o seu distribuidor se algo estiver em falta.

Conteúdos:

- Removedor de manchas de tapete
- Mangueira de aspiração e solução
- Ferramenta manual

SEGURANÇA

Os símbolos seguintes indicam potenciais situações perigosas. Leia atentamente esta informação e siga as precauções necessárias para proteger as pessoas e propriedade à sua volta.

SÍMBOLOS VISÍVEIS NA MÁQUINA**ATENÇÃO!**

Leia atentamente todas as instruções antes de realizar qualquer operação na máquina.

**ATENÇÃO!**

Não lave a máquina com jactos de água directos ou pressurizados.

SÍMBOLOS QUE APARECEM NAS INSTRUÇÕES DE UTILIZAÇÃO**PERIGO!**

Indica uma situação perigosa com risco de morte para o operador.

**ATENÇÃO!**

Indica um risco de ferimento potencial para pessoas.

**CUIDADO!**

Indica cuidados, ou notificação relacionados com funções importantes ou úteis. Preste atenção aos parágrafos marcados por este símbolo.

**NOTA**

Indica uma notificação relacionada com funções importantes ou úteis.

**CONSULTA**

Indica a necessidade de consulta do manual de Instruções de Utilização antes de realizar qualquer procedimento.

INSTRUÇÕES DE SEGURANÇA IMPORTANTES

Geral – Esta máquina de remoção de manchas de tapete deve ser aterrada enquanto estiver em uso para proteger o operador de choques elétricos. A máquina é dotada de uma ficha de ligação à terra com três contactos para encaixar no receptáculo de aterramento adequado. O condutor verde (ou verde e amarelo) no cabo é o fio de aterramento. Nunca conecte este fio a outro pino que não seja o pino de aterramento da ficha.

Esta máquina destina-se a ser utilizada num circuito nominal de 220-240 volt e tem uma ficha de aterramento semelhante à ficha ilustrada na figura abaixo. Certifique-se de que a máquina está conectada a uma saída com a mesma configuração da ficha. Não deve ser utilizado um adaptador com esta máquina.

Avisos e cuidados específicos a informar sobre danos potenciais a pessoas e à máquina são exibidos abaixo.

**PERIGO!**

- Esta máquina deve ser operada por pessoal treinado e autorizado de acordo com as instruções do manual.
- Antes de realizar qualquer procedimento de limpeza, manutenção, reparação ou substituição, leia atentamente todas as instruções, assegure-se que define a máquina para OFF.
- Não opere a máquina perto de pós, líquidos ou vapores tóxicos, perigosos, inflamáveis e/ou explosivos. Esta máquina não se adequa para recolha de pós perigosos.
- Não utilize jóias quando trabalhar perto de componentes eléctricos.
- Não trabalhe sob a máquina levantada, sem os suportes de elevação fixos de segurança adequados.

**ATENÇÃO!**

- Esta máquina é destinada ao USO COMERCIAL, por exemplo, em hotéis, escolas, hospitais, fábricas, lojas, escritórios e empresas de aluguer.
- As máquinas deixadas sem vigilância devem ser protegidas contra os movimentos não intencionais.
- Para impedir a utilização não autorizada da máquina, a fonte de alimentação deve ser desligada ou bloqueada.
- Inspeccione atentamente a máquina antes de cada utilização. Assegure-se que todos os componentes estão bem montados antes de utilizar. Os componentes frouxos podem causar danos a pessoas e propriedades.
- Nunca mova a máquina puxando pelo cabo. Não passar o cabo trilhado em portas fechadas, ou enrolar o cabo à volta de beiras e cantos afiados. Não deixe que a máquina passe por cima do cabo. Mantenha o cabo afastado de superfícies quentes.
- Para reduzir o risco de incêndio, choque eléctrico ou ferimentos, certifique-se que a máquina está desligada antes de sair.
- Utilize ou armazene a máquina no interior em ambientes secos. Não é permitida a utilização no exterior.
- As temperaturas de armazenamento e funcionamento da máquina devem ser entre 0 °C e +40 °C e a humidade do ar deve ser entre 30% e 95%.
- Não utilize a máquina em superfícies cujo gradiente seja superior àquele indicado.
- Quando utilizar ou manusear detergentes de limpeza de chão, siga as instruções nas etiquetas da garrafa dos detergentes e utilize luvas e outros dispositivos de proteção.
- No caso de se verificarem anomalias no funcionamento da máquina, certifique-se de que não se devem à falta de manutenção periódica. Se necessário, peça assistência a pessoal autorizado ou a um Centro de Assistência autorizado.

- Tome as devidas precauções de modo que cabelos, jóias, partes das roupas soltas não fiquem presas nas partes em movimento da máquina.
- Não utilize a máquina em espaços particularmente poeirentos.
- Não lave a máquina com jactos de água directos ou pressurizados, ou com substâncias corrosivas.
- Não encoste a estantes ou andaimes, principalmente se existir o perigo de queda de objectos.
- Não pose recipientes com líquidos na máquina, utilize a base específica porta-copos e porta-latas.
- Em caso de incêndio, utilize um extintor de incêndio em pó seco. Não utilize extintores de incêndio líquidos.
- Não retire nem modifique as etiquetas da máquina.
- Preste atenção durante o transporte da máquina em condições abaixo da temperatura de congelamento. A água no tanque de recuperação e nas mangueiras pode congelar e causar danos sérios à máquina.
- Se precisar de substituir alguma peça, compre peças de substituição ORIGINAIS de Revendedores ou Lojas Autorizadas.
- Devolva a máquina ao Centro de Assistência se não funcionar normalmente ou se estiver danificada.
- Para assegurar a operação adequada e segura, a manutenção programada mostrada no capítulo relevante deste Manual, deve ser realizada por pessoal autorizado ou concessionário ou retalhistas autorizados.
- Esta máquina é apenas uma ferramenta de limpeza e não se destina a nenhuns outros objetivos.
- Mantenha as aberturas da máquina livres de pó, fios, pelos e qualquer outro corpo estranho que possa reduzir o fluxo de ar. Não utilize a máquina que as aberturas estiverem entupidas.
- Utilize a máquina unicamente em áreas suficientemente iluminadas.
- Esta máquina não deve ser utilizada por crianças ou por pessoas com diminuição das capacidades físicas, sensoriais ou mentais ou com falta de experiência e conhecimentos.
- Preste em particular atenção quando a utilizar com crianças por perto.
- As crianças devem ser monitorizadas, para garantir que não brincam com a máquina.
- Durante a utilização da máquina, preste atenção para garantir a segurança das outras pessoas e dos objectos.
- A limpeza e a manutenção levadas a cabo pelo utilizador não devem ser feitas por crianças sem supervisão.
- Os operadores devem ser instruídos adequadamente sobre a utilização destas máquinas.
- Este aparelho incorpora uma ligação à terra apenas para fins funcionais
- Se o cabo de alimentação se encontrar danificado, este deve ser substituído pelo fabricante, por um agente de reparação ou por pessoas com qualificação semelhante, de forma a evitar o perigo.
- A remoção da ficha da tomada-saída durante a limpeza ou manutenção e ao substituir peças ou converter a máquina para outra função

DESCRIÇÃO DA MÁQUINA
ESTRUTURA DA MÁQUINA

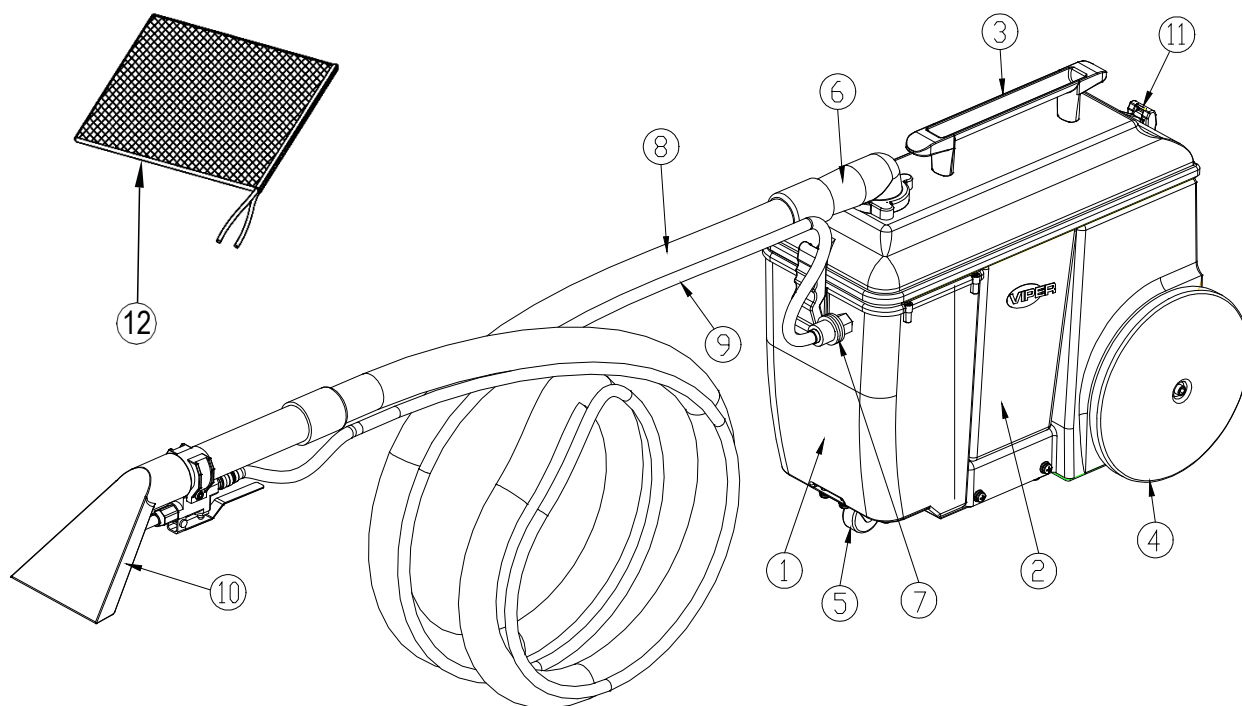
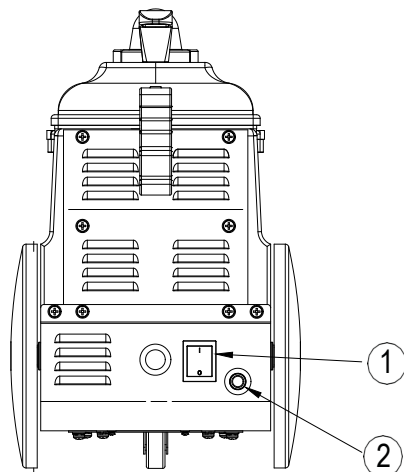
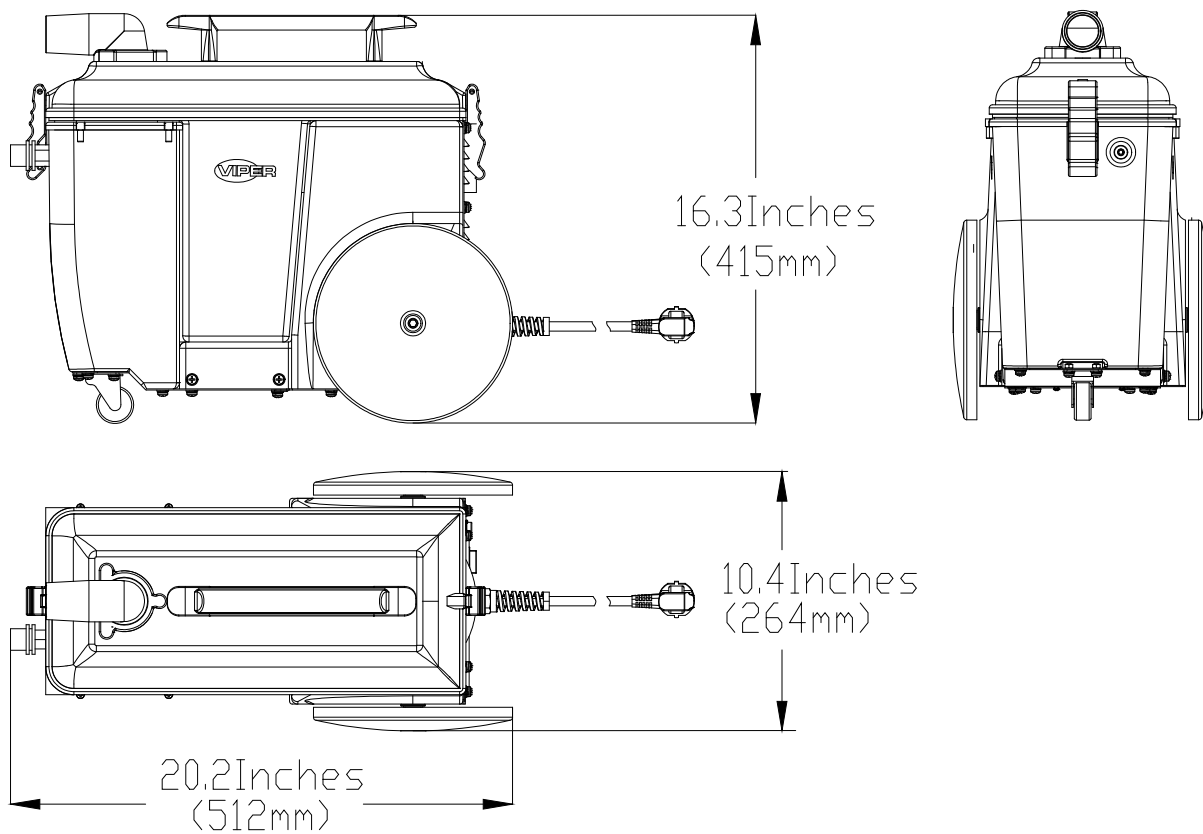


Figura 1

- | | |
|--------------------------------------|------------------------------------|
| 1. Tanque de solução | 7. Conexão da mangueira de solução |
| 2. Tanque de recuperação | 8. Mangueira de aspiração |
| 3. Pega | 9. Mangueira de solução |
| 4. Rodas de transporte | 10. Ferramenta manual |
| 5. Rodízio dianteiro | 11. Braçadeira |
| 6. Conexão da mangueira de aspiração | 12. Saco acessórios azul |

PAINEL DE CONTROLO

1. Interruptor de energia
2. Proteção contra sobrecargas

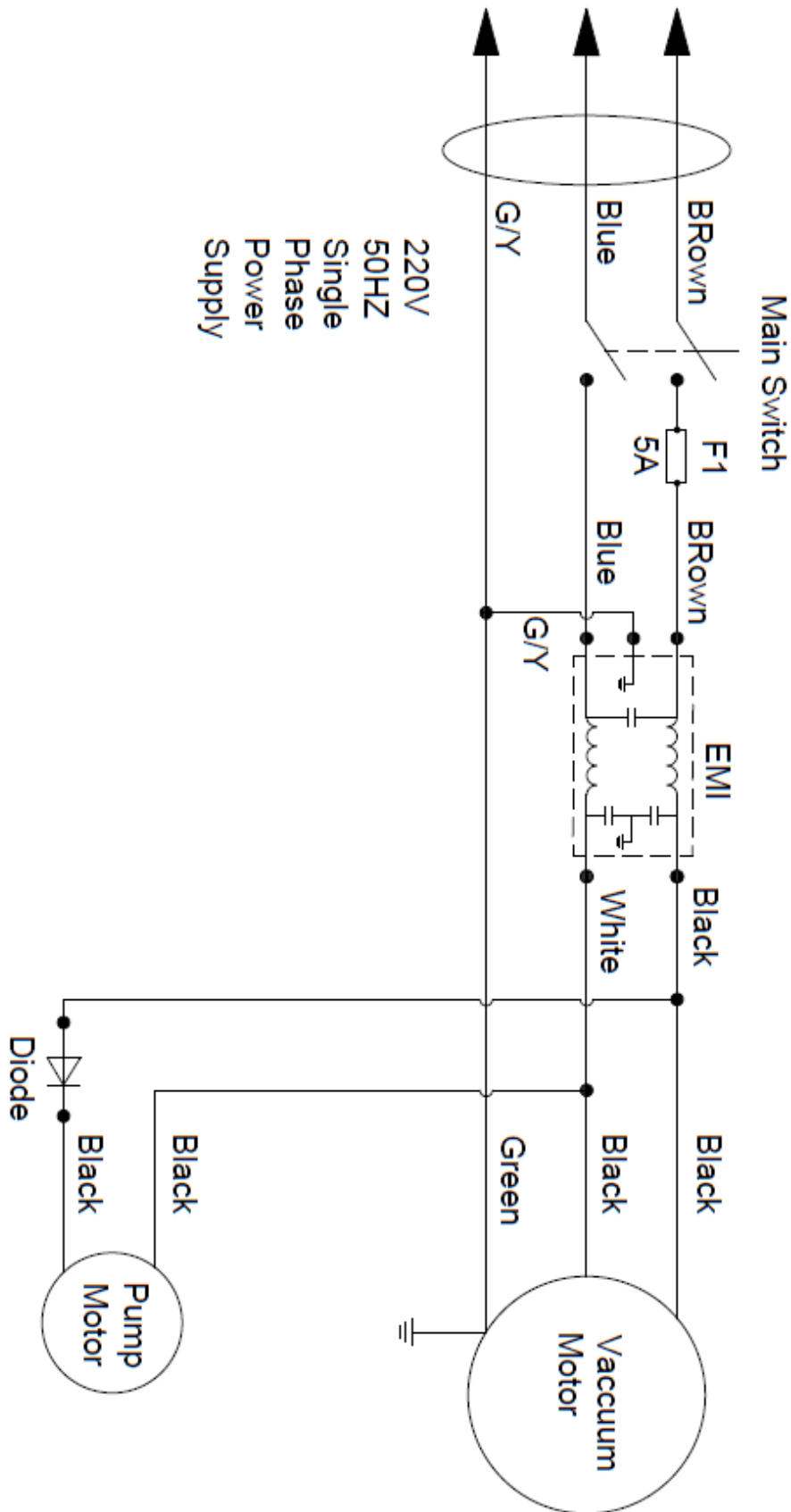
**TAMANHO DA MÁQUINA**

PARÂMETROS TÉCNICOS

Modelos	EU	UK	TURKEY
Descrição principal	WOLF130		
Código de estoque com n.º ref.	50000589	50000604	50000603
Voltagem	220-240V		
Motor de aspiração	1000W		
Corrente absorvida	4.7 amp		
Peso	9.85kg		
Peso na entrega	29.8 (13.5 kg)		
Nível de potência sonora	80 dB		
Nível da pressão sonora	67 dB A		
Pressão da bomba da solução	30 PSI (2 bar)		
Elevação da água (Aspiração máxima)	85 polegadas H2O (21.8 KPa)		
Cabo de alimentação ft	10 m, laranja de segurança		
Percurso de limpeza polegadas	4" (10.2 cm)		
Tanque de recuperação e solução Galões	3.8L		
Mangueiras de solução e aspiração ft	3m		
Dimensões C x L x A	23.3 x 15.4 x 19.3 pol (59x 39 x 49 cm)		

(*): Opcional

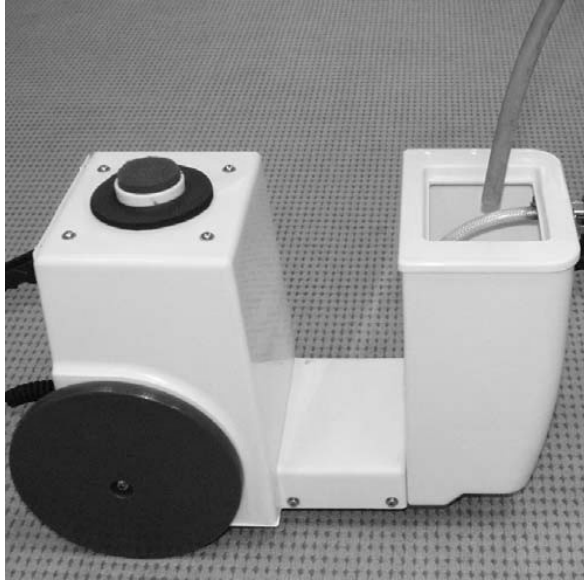
DIAGRAMA DA INSTALAÇÃO ELÉTRICA



GUIA DE OPERAÇÃO

Leia atentamente o manual do operador antes de executar ou reparar esta máquina

- 1) Com uma mangueira ou um balde, encha o depósito com um máximo de 1 galão de água (a temperatura da água é inferior a 50°C).



Não utilize líquidos inflamáveis ou opere a máquina perto de líquidos inflamáveis ou vapores

- 2) Conecte a mangueira da solução e a mangueira de aspiração à máquina.
- 3) Conecte o cabo de alimentação a uma tomada de parede aterrada. (consulte as instruções de aterramento)

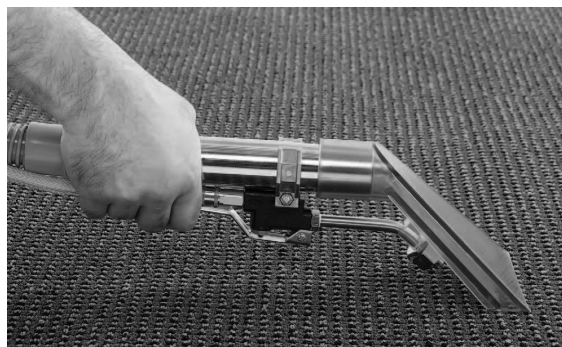
OPERAÇÃO DA MÁQUINA

ANTES DA REMOÇÃO DAS MANCHAS

- 1) Inspeccione a existência de danos no cabo de alimentação. Substitua o cabo se forem encontrados danos.
- 2) Aspire o tapete para remover os detritos antes da remoção da mancha.

REMOÇÃO DA MANCHA

- 1) Coloque o interruptor de alimentação na posição "I".
NOTA: A solução só será pulverizada quando a pega de pulverização (na ferramenta manual) for puxada.
- 2) Para começar a limpar, puxe a alavanca de pulverização (ferramenta manual) e comece a puxar a ferramenta para trás sobre a mancha.
- 3) Solte a alavanca de pulverização quando chegar ao fim da mancha. Continue a puxar a ferramenta manual para trás por mais 4 polegadas para recolher o excesso de solução.



- 4) Continue até que a mancha seja removida.

DICAS DE FUNCIONAMENTO

- 1) Utilize apenas água fria. A água quente pode manchar.
- 2) Verifique continuamente se existe acumulação de espuma no tanque de recuperação. Use uma solução de controlo de espuma recomendada pelo distribuidor.
NOTA: A acumulação excessiva de espuma causará danos no motor de aspiração.
- 3) Repita o percurso de extração em áreas altamente sujas.
- 4) Quando a recuperação da solução suja terminar, ou o tanque de solução estiver vazio, deve drenar o tanque de recuperação. (veja A DRENAGEM DO TANQUE)

DRENAGEM DOS TANQUES

DRENAGEM DO TANQUE DE SOLUÇÃO

- 1) Desligue a máquina e desligue a fonte de alimentação.
- 2) Desconecte as mangueiras de aspiração e solução na frente da máquina.
- 3) Solte as braçadeiras no tanque de recuperação e remova o tanque de recuperação da máquina.
- 4) Leve o tanque de solução para uma descarga aprovada e despeje o conteúdo.

DRENAGEM DO TANQUE DE RECUPERAÇÃO

- 1) Desligue a máquina e desconecte a fonte de alimentação.
- 2) Solte as braçadeiras no tanque de recuperação e remova o tanque de recuperação da máquina.
- 3) Leve o tanque de recuperação para uma descarga aprovada e despeje o conteúdo.



- 4) Lave o tanque de recuperação com água limpa.
- 5) Monte a máquina novamente.

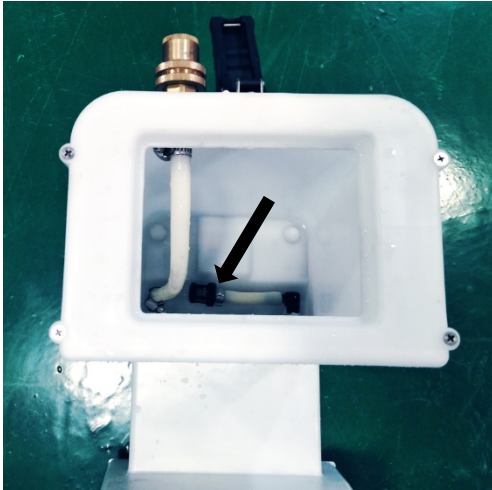
MANUTENÇÃO

Para manter a máquina a funcionar bem por muitos anos, siga os seguintes procedimentos de manutenção.

!!! Confirme sempre que a máquina está desconectada antes de realizar qualquer manutenção ou reparação!!!

MANUTENÇÃO DIÁRIA

- 1) Quando a operação de limpeza diária estiver concluída, drene e limpe o tanque de recuperação completamente com água limpa.
- 2) Remova a solução restante do tanque de solução.
- 3) Remova o filtro de aspiração e lave com água limpa.
- 4) Substitua o filtro quando estiver seco.



- 5) Remova e inspecione o jato de pulverização. Se necessário, limpe o jato.

NOTA: Não limpe o jato com um objecto pontiagudo, já que irá danificá-lo.

- 6) Controle a tira da escova e remova quaisquer detritos ou fibras do tapete.
- 7) Controle a ferramenta manual de recolha e remova quaisquer detritos ou fibras de tapete.
- 8) Limpe a máquina com um produto de limpeza não abrasivo.
- 9) Inspeccione a existência de danos no cabo de alimentação. Substitua, se necessário.

MANUTENÇÃO MENSAL

- 1) Lave a bomba e canalização com uma solução de ácido acético para dissolver qualquer acumulação química.
Instruções de mistura:
 - a. Pré-misture 8 oz. de uma solução de ácido acético com 1 galão de água e despeje no tanque de solução. Ligue o interruptor de aspiração/bomba.
 - b. Coloque a cabeça da ferramenta de pavimento sobre o dreno do pavimento e puxe o gatilho da solução durante um (1) minuto.
 - c. Desligue a máquina e deixe que a solução restante permaneça na máquina durante a noite.
 - d. No dia seguinte pulverize a solução restante e lave o sistema novamente com 1 galão de água limpa.
- 2) Inspeccione a máquina em relação à existência de fugas de água.
- 3) Controle a máquina quanto a porcas, parafusos e anilhas soltos ou ausentes e substitua conforme necessário.

ARMAZENAMENTO DA MÁQUINA

- 1) Antes de armazenar a máquina, certifique-se se os tanques de recuperação e solução estão limpos e vazios de qualquer solução.
- 2) Armazene a máquina na posição vertical numa área seca e com a mangueira de aspiração removida para a circulação de ar.
NOTA: Se estiver a armazenar a máquina numa área que possa congelar, certifique-se de que ambos os tanques e a tubulação da solução estejam vazios de toda a água e secos!

RESOLUÇÃO BÁSICA DE PROBLEMAS

Problema	Causas prováveis	Solução
A máquina não funciona	Não está ligado à fonte de alimentação	Ligar a uma tomada aterrada
	Cabo de alimentação danificado	Distribuidor de contacto
	Cabo de alimentação de extensão com defeito	Substitua com um novo cabo de alimentação de extensão
	O disjuntor do edifício disparou	Reponha o disjuntor
A bomba de solução não funciona	Interruptor aspiração/bomba não ligado	Ligue o interruptor
	Interruptor aspiração/bomba defeituoso	Distribuidor de contacto
	Solenóide defeituoso	Distribuidor de contacto
	Bomba da solução defeituosa	Distribuidor de contacto
	Bomba sobreaquecida	Determine a causa e aguarde 30 minutos para a bomba arrefecer
	Cablagem solta ou partida	Distribuidor de contacto
Motor de aspiração não funciona	Interruptor aspiração/bomba não ligado	Ligue o interruptor
	Interruptor aspiração/bomba defeituoso	Distribuidor de contacto
	Disparo por sobrecarga térmica do motor de aspiração	Verifique se existe obstrução e aguarde 30 minutos para arrefecer
	Motor de aspiração danificado	Distribuidor de contacto
	Escovas de carbono desgastadas	Distribuidor de contacto
	Cablagem solta ou partida	Distribuidor de contacto
Recolha deficiente	Fugas de ar em torno da gaxeta de recuperação	Verifique se a tampa de recuperação está firmemente apertada
	Gaxeta de aspiração danificada ou desgastada	Substitua a gaxeta
	Afrouxe as conexões da mangueira de aspiração	Certifique-se de que as conexões da mangueira de aspiração estejam apertadas
	Mangueira de aspiração defeituosa	Substitua a mangueira de aspiração
	Braçadeiras do tubo de aspiração soltas	Certifique-se de que as braçadeiras estão presas ao alojamento
	Mangueira de aspiração entupida	Remova a obstrução da mangueira de aspiração
Pulverização da solução irregular ou sem pulverização	O tanque da solução está vazio ou baixo	Encha o tanque de solução
	Interruptor aspiração/bomba não ligado	Ligue o interruptor
	Pontas de pulverização sujas ou entupidas	Limpe ou substitua as pontas de pulverização
	Tamanho inadequado da ponta de pulverização ou ângulo de pulverização	Distribuidor de contacto
	Pontas de pulverização gastas	Distribuidor de contacto
	Bomba da solução defeituosa	Distribuidor de contacto
	Filtro do tanque de solução entupido	Limpe ou substitua o filtro
	Tubo de solução comprimido ou dobrado	Verifique se existem obstruções e dobras e redirecione ou substitua, se necessário

RESOLUÇÃO DE PROBLEMAS**ELIMINAÇÃO**

Elimine a máquina através de uma instituição de tratamento de lixo qualificada.

Antes de a máquina ser eliminada, desmonte e separe as montagens que as leis e regulações relevantes pedem para a eliminação correcta.

- Suporte de Esponja/escova
- Mangueira de plástico e peças de plástico
- Partes elétricas e eletrónicas (*)

(*) Contactar o centro de serviço da empresa se destruir quaisquer componentes elétricos e eletrónicos.

Composição dos materiais da máquina e nível de reciclagem

Tipo	% reciclável	WOLF130 % percentagem em peso
Motores eléctricos - div.	20%	22%
Materiais ferrosos	80%	20%
Feixe de fios	80%	1%
Líquidos	100%	0%
Plástico - material não reciclável	0%	1%
Plástico - material reciclável	100%	45%
Borracha	20%	1%

INTRODUCERE**NOTĂ**

Numerele din paranteze se referă la componentele arătate la capitolul Descrierea mașinii.

CONȚINUTUL ȘI SCOPUL GHIDULUI

Scopul acestor instrucțiuni de utilizare este să furnizeze operatorului toate informațiile esențiale și caracteristicile tehnice privind modul de operare, starea de inactivitate a mașinii, piesele de schimb, condițiile de siguranță etc.

Înainte de a executa o procedură la mașină, operatorii și tehnicienii calificați trebuie să citească Manualul cu instrucțiunile de utilizare.

Contactați compania noastră în cazul în care aveți nelămuriri cu privire la interpretarea instrucțiunilor sau pentru orice alte informații.

CUM SE PĂSTREAZĂ ACESTE INSTRUCȚIUNI DE UTILIZARE

Instrucțiunile de utilizare trebuie păstrate în vecinătatea mașinii, într-o casetă corespunzătoare, ferite de lichide sau de alte substanțe ce pot cauza deteriorarea lor.

DECLARAȚIE DE CONFORMITATE

Declarația de conformitate se furnizează odată cu mașina și certifică faptul că mașina e conformă cu legislația în vigoare.

**NOTĂ**

Împreună cu documentația mașinii se dau copii ale declarației de conformitate originale.

ACCESORII ȘI ÎNTREȚINERE

Toate procedurile de operare, întreținere și reparație trebuie executate de personal calificat sau de compania noastră la centrul service desemnat. Se vor utiliza NUMAI piese de schimb autorizate.

Contactați centrul de service clienți al companiei noastre pentru orice operație de service sau pentru achiziționarea de accesorii sau piese de schimb, dacă este necesar.

SCHIMBARE ȘI ÎMBUNĂTĂȚIRE

Noi suntem angajați într-un proces continuu de îmbunătățire a produselor noastre și ne rezervăm dreptul de a schimba și îmbunătăți mașina fără informare suplimentară.

SCOPUL APLICAȚIEI

Această mașină este concepută pentru utilizare comercială. Este fabricată pentru a fi utilizată într-un mediu interior și nu este destinată altor utilizări. Utilizați numai accesorii recomandate.

DATE DE IDENTIFICARE A MAȘINII

Denumirea modelului și numărul de serie al mașinii sunt marcate pe eticheta de serie.

Aceste informații sunt utile. Utilizați următorul tabel pentru a nota datele de identificare a mașinii atunci când se face cerere de ofertă pentru piese de schimb pentru mașină.

MODEL MAȘINĂ.....

NUMĂR DE SERIE MAȘINĂ.....

TRANSPORT ȘI DESPACHETARE

Verificați cu atenție cutia de transport pentru semne de deteriorare. Raportați imediat transportatorului orice deteriorare a cutiei de carton.

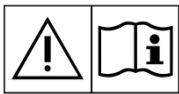
Verificați conținutul cutiei pentru a vă asigura că aceasta este completă. Contactați distribuitorul dacă lipsește ceva.

Cuprins:

- Detector de covoare
- Furtunuri de aspirare și de soluție
- Unealtă manuală

NORME DE PROTECȚIE

Următoarele simboluri indică situații potențial periculoase. Citiți întotdeauna aceste informații cu atenție și luați toate măsurile de prevenire pentru protecția personalului și a proprietății.

SIMBOLURI VIZIBILE PE MAȘINĂ**AVERTIZARE!**

Citiți cu atenție toate instrucțiunile înainte de a executa o operațiune cu mașina.

**AVERTIZARE!**

Nu spălați mașina sub jet direct de apă sau cu apă sub presiune.

SIMBOLURI CARE APAR ÎN INSTRUCȚIUNILE DE UTILIZARE**PERICOL!**

Indică o situație periculoasă cu risc de deces pentru operator.

**AVERTIZARE!**

Indică un potențial risc de rănire a persoanelor.

**ATENȚIE!**

Indică o atenționare sau observație cu privire la funcții importante sau de ajutor. Dați atenție deosebită paragrafelor marcate cu acest simbol.

**NOTĂ**

Indică o observație cu privire la funcții importante sau de ajutor.

**CONSULTARE**

Indică necesitatea de a consulta Instrucțiunile de utilizare înainte de executarea unei proceduri.

INSTRUCȚIUNI GENERALE DE PROTECȚIE

Generalități - Această mașină de detectat pete pentru covoare va fi împământată în timpul utilizării pentru a proteja operatorul de șocuri electrice. Mașina este prevăzută cu un ștecăr atașat cu împământare cu trei contacte pentru a se potrivi cu priza de împământare corespunzătoare. Conductorul verde (sau verde și galben) din cablu este firul de împământare. Nu conectați niciodată acest fir la altul decât știftul de împământare al prizei de fixare.

Această mașină este destinată utilizării pe un circuit nominal de 220-240 volți și are un ștecăr de împământare care seamănă cu cel ilustrat în figura de mai jos. Asigurați-vă că mașina este conectată la o priză cu aceeași configurație ca și ștecărul. Nu trebuie utilizat niciun adaptor cu această mașină.

Atenționările specifice pentru a se aduce la cunoștință riscul de defectare a mașinii sau de rănire a persoanelor.

**PERICOL!**

- Această mașină trebuie operată de personal autorizat și instruit în conformitate cu instrucțiunile din manual.
- Înainte de a executa o operațiune de curățenie, întreținere, reparație sau înlocuire, citiți toate instrucțiunile cu atenție și asigurați-vă că ați oprit mașina.
- Nu operați mașina în apropierea lichidelor, prafurilor sau vaporilor toxici, periculoși, inflamabili sau explozivi. Această mașină nu este potrivită pentru strângerea pudrelor periculoase.
- Nu purtați bijuterii când lucrați în vecinătatea componentelor electrice.
- Nu lucrați sub mașinile ridicate fără ca acestea să fie sprijinite pe standuri de protecție.

**AVERTIZARE!**

- Această mașină este concepută pentru UZ COMERCIAL, de exemplu, în hoteluri, școli, spitale, fabrici, magazine, birouri și agenți comerciali din domeniul închirierilor.
- Mașinile lăsate nesupravegheate trebuie să fie blocate împotriva mișcării neintenționate.
- Pentru a preveni utilizarea neautorizată a mașinii, sursa de alimentare trebuie oprită sau blocată.
- Verificați cu atenție mașina înainte de fiecare utilizare. Asigurați-vă că toate componentele au fost bine asamblate înainte de utilizare. Componentele slăbite pot cauza avarierea mașinii și rănirea persoanelor.
- Nu deplasați niciodată mașina trăgând de cablu. Nu treceți cablul printr-o ușă închisă și nu îl înfășurați în jurul unor margini sau colțuri ascuțite. Nu treceți cu mașina peste cablu. Feriți cablul de suprafețe încălzite.
- Pentru reducerea riscului de incendiu, de electrocutare sau rănire, asigurați-vă că mașina este oprită înainte de plecare.
- Utilizați și depozitați mașina în spații închise, pe suprafețe uscate; este interzisă utilizarea ei în exterior.
- Temperatura de lucru și de depozitare a mașinii trebuie să fie între 0 °C și +40 °C, umiditatea aerului trebuie să fie de 30 % - 95 %.
- Nu utilizați mașina pe suprafețe în pantă cu unghi mai mare decât în specificațiile date.
- Când utilizați și manipulați detergenți pentru curățare, urmați instrucțiunile de pe etichetele ambalajelor de detergent și purtați mănuși corespunzătoare și alte echipamente de protecție.
- În caz de funcționare defectuoasă a mașinii, asigurați-vă că aceasta nu se datorează întreținerii necorespunzătoare. Dacă este necesar, solicitați asistență din partea personalului autorizat sau de la un centru service autorizat.

- Luați toate măsurile de precauție pentru a preveni prinderea părului, a bijuteriilor și a hainelor largi în piesele în mișcare ale mașinii.
- Nu utilizați mașina în zone cu foarte mult praf.
- Nu spălați mașina cu jet direct de apă sau cu apă sub presiune și nici cu substanțe corozive.
- Nu tamponați mașina de rafturi sau de schele, mai ales dacă există riscul de cădere a diferitelor obiecte.
- Nu puneți pe mașină recipiente cu lichid, utilizați suportul dedicat pentru acestea.
- În caz de incendiu, utilizați un extingtor cu praf. A nu se utiliza extincitoare cu lichid.
- A nu se îndepărta sau modifica etichetele de pe mașină.
- Transportul mașinii când temperaturile sunt sub punctul de îngheț se va face cu atenție. Apa din rezervorul de recuperare și din furtunuri poate îngheța și cauza defecțiuni grave ale mașinii.
- Dacă trebuie înlocuite piesele de schimb, comandați piese de schimb ORIGINALE de la reprezentanți comerciali autorizați.
- Returnați mașina la centrul de service dacă aceasta nu funcționează în mod normal sau este în stare de avarie.
- Pentru a vă asigura de funcționarea în condiții adecvate și de siguranță a mașinii, operațiunile de întreținere programată indicate în capitolul relevant ale acestui manual trebuie să se execute de către personal autorizat sau de un centru service.
- Această mașină este doar un instrument de curățare și nu este destinată altor scopuri.
- A se menține întotdeauna orificiile neînfundate cu păr, praf sau alte corpuri străine, care ar putea reduce debitul de aer. A nu se utiliza mașina dacă orificiile ei sunt înfundate.
- A se utiliza mașina numai în locuri iluminate în mod corespunzător.
- Această mașină nu este concepută pentru utilizarea de către persoane (inclusiv copii) cu capacități fizice, senzoriale sau mentale reduse sau cu lipsă de experiență și cunoștințe.
- Este necesară atenție deosebită în cazul utilizării în preajma copiilor.
- Copiii vor fi supravegheați să nu se joace cu mașina.
- În timpul funcționării mașinii, aveți grijă să nu cauzați rănirea persoanelor sau deteriorarea obiectelor din jur.
- Curățarea și întreținerea efectuată de către utilizator nu trebuie să fie efectuate de copii nesupravegheați.
- Operatorii vor instruiți în mod corespunzător cu privire la utilizarea acestor mașini.
- Acest aparat încorporează o conexiune de împământare numai în scopuri funcționale
- În cazul în care cablul de alimentare este deteriorat, acesta trebuie înlocuit de către producător, de către agentul său de service sau de către persoane cu calificare similară, pentru a evita pericolele.
- Scoateți ștecărul din priză în timpul curățării sau întreținerii și la înlocuirea pieselor sau conversia mașinii într-o altă funcție

DESCRIEREA MAȘINII
STRUCTURA MAȘINII

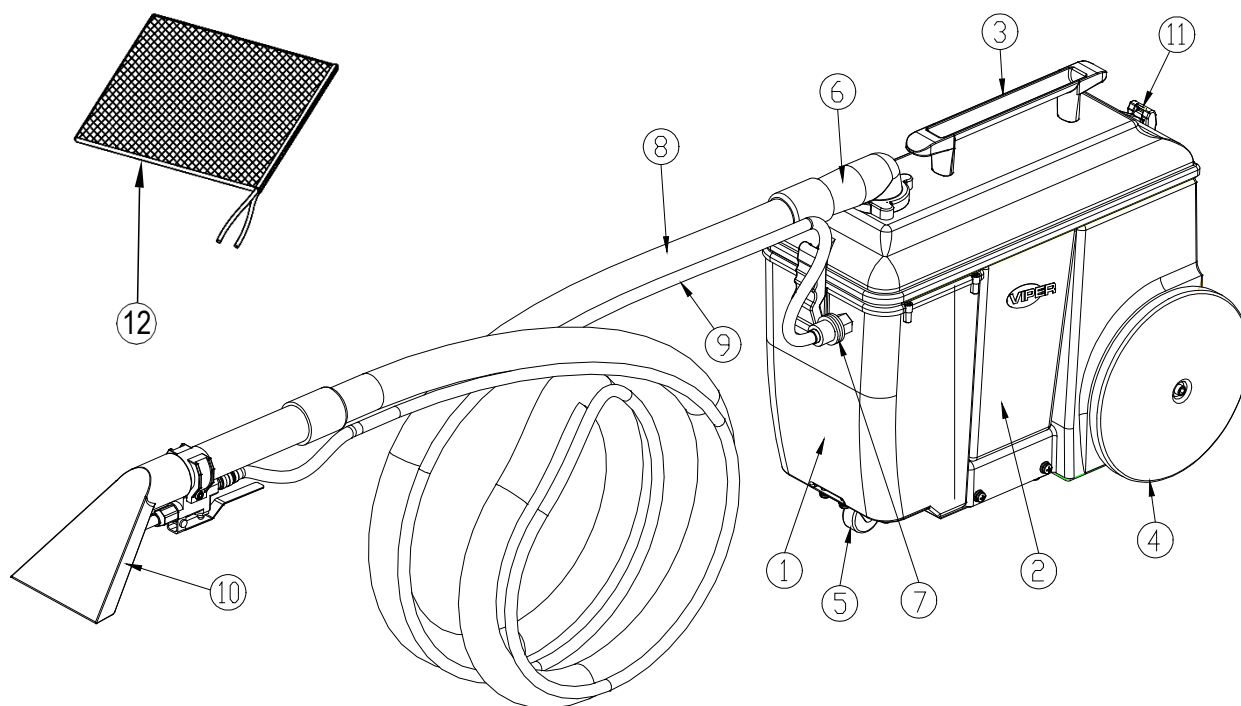
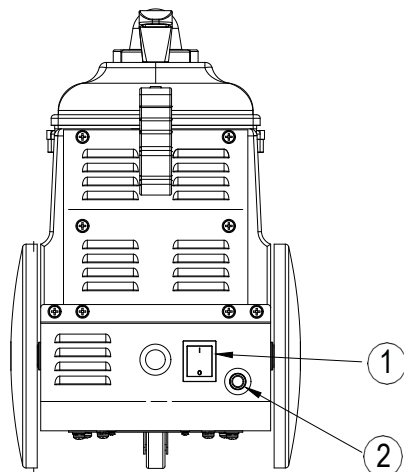


Figura 1

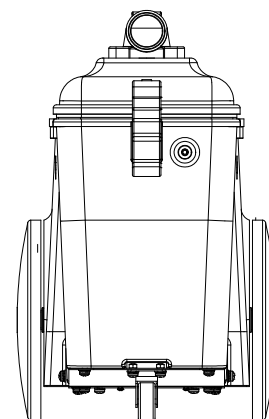
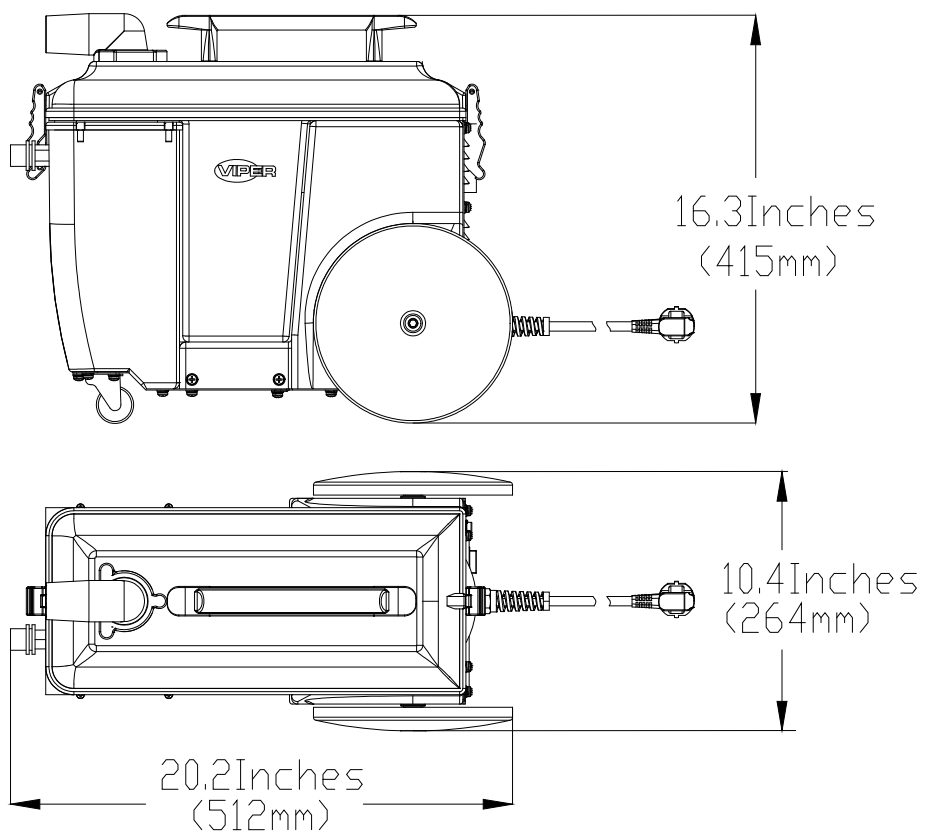
- | | |
|------------------------------------|---------------------------------------|
| 1. Rezervor pentru soluție | 7. Racordul furtunului pentru soluție |
| 2. Rezervor pentru apă recuperată | 8. Furtun aspirare |
| 3. Mâner | 9. Furtun soluție |
| 4. Roți de transport | 10. Unealtă manuală |
| 5. Rotiță față | 11. Clemă |
| 6. Racordul furtunului de aspirare | 12. Sac albastru pentru accesorii |

PANOU DE COMANDĂ

1. Comutator alimentare
2. Protecție la suprasarcină



DIMENSIUNI MAȘINĂ

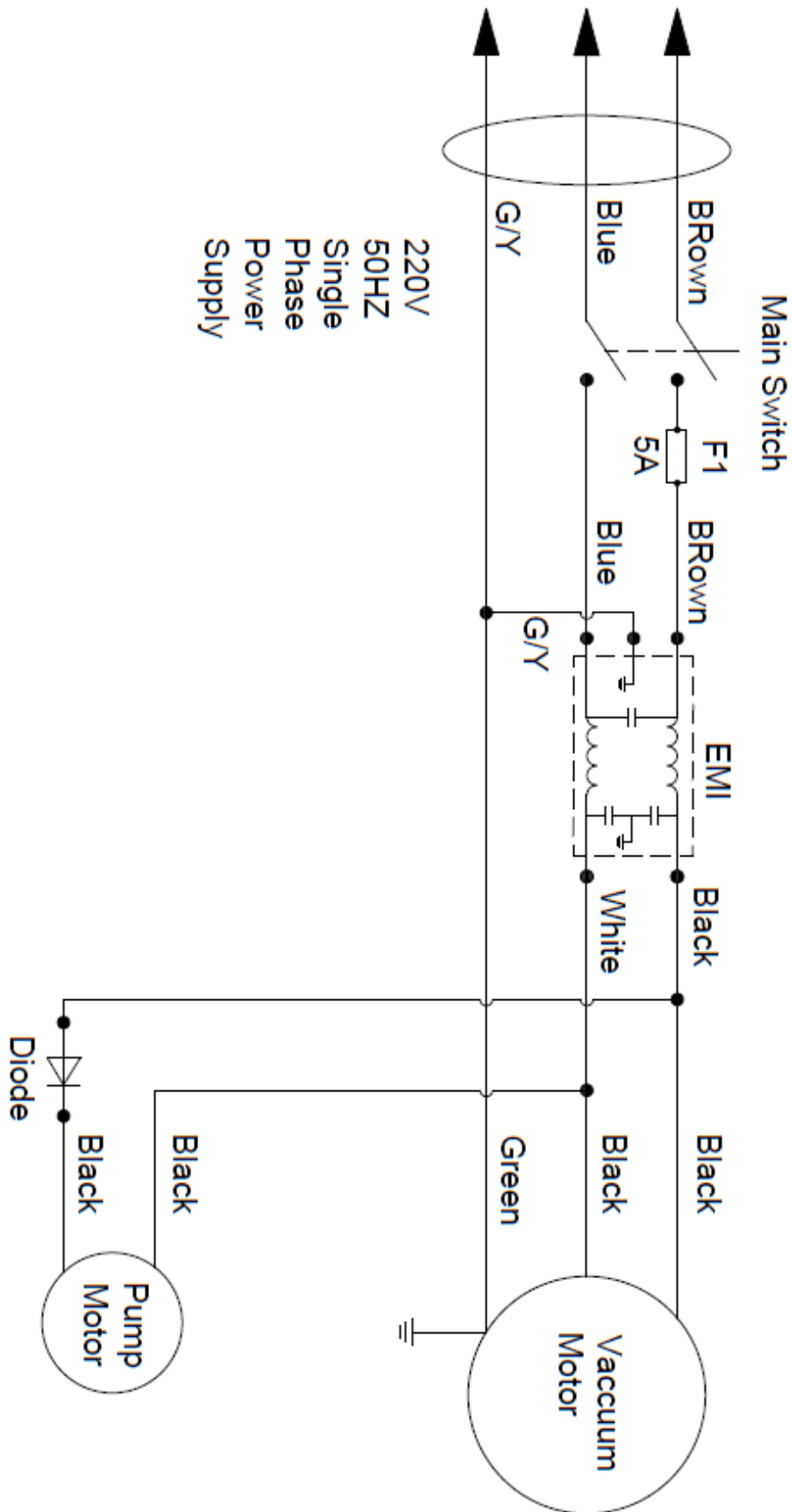


PARAMETRII TEHNICI

Modele	EU	UK	TURKEY
Descriere principală	WOLF130		
Nr. ref. Cod stoc	50000589	50000604	50000603
Tensiune	220-240V		
Motor de aspirare	1000W		
Extragere amperaj	4.7 amperi		
Greutate	9.85kg		
Greutate transport	29.8 (13.5 kg)		
Nivel de presiune sonoră	80 dB		
Nivel de presiune sonoră	67 dB A		
Presiune pompă pentru soluție	30PSI (2 bari)		
Aspirare cu apă (vid maxim)	85 inci H2O (21.8 KPa)		
Cablu de alimentare cu energie ft	10 m, safety orange		
Cale de curățare	4" (10.2 cm)		
Rezervor de soluție și recuperare galon	3.8L		
Furtunuri de soluție și vid ft	3m		
Dimensiuni (L x G x H)	23.3 x 15.4 x 19.3 în (59x 39 x 49 cm)		

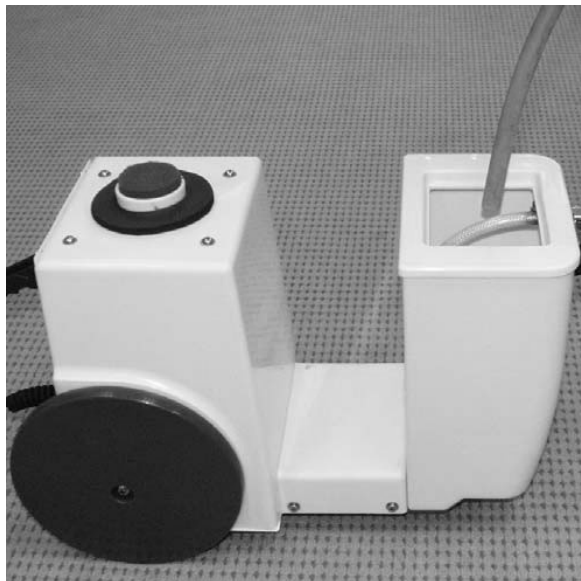
(*): Opțional

SCHEMĂ DE CABLARE



GHID DE FUNCȚIONARE**Citiți cu atenție manualul de utilizare înainte de a folosi sau repara acest utilaj**

- 1) Folosind un furtun sau o găleată, umpleți rezervorul cu maximum 1 galon de apă (temperatura apei este mai mică de 50 °C).



Nu utilizați lichide inflamabile și nu folosiți mașina în cadrul sau în apropierea lichidelor sau vaporilor inflamabili

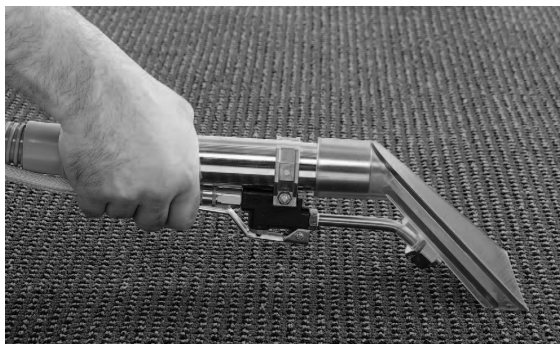
- 2) Conectați furtunul soluției și furtunul de vid la mașină.
- 3) Conectați cablul de alimentare la o priză de perete împământată. (a se vedea instrucțiunile de împământare)

FUNCȚIONAREA MAȘINII**ÎNAINTE DE ÎNDEPĂRTAREA PETELOR**

- 1) Inspectați cablul de alimentare pentru deteriorări. Înlocuiți cablul dacă se constată deteriorarea acestuia.
- 2) Aspirați covorul pentru a îndepărta resturile înainte de a îndepărta petele.

ÎNDEPĂRTAREA PETELOR

- 1) Puneți comutatorul de alimentare în poziția „I”.
NOTĂ: Soluția va pulveriza numai când mânerul de pulverizare (de pe unealta manuală) este tras.
- 2) Pentru a începe curățarea, trageți mânerul de pulverizare (unealta manuală) și începeți să trageți unealta înapoi peste semn.
- 3) Eliberați mânerul de pulverizare când ați ajuns la capătul semnului. Continuați să trageți unealta manuală înapoi încă 4 inci pentru a prelua soluția în exces.



- 4) Continuați până când pata este îndepărtată.

INDICII DE FUNCȚIONARE

- 1) Utilizați numai apă rece. Apa caldă poate cauza pete.
- 2) Verificați continuu acumularea spumei în rezervorul de recuperare. Utilizați o soluție de control a spumei recomandată de distribuitor.
NOTĂ: Acumularea excesivă de spumă va provoca deteriorarea motorului de aspirare.
- 3) Repetați calea de extracție în zonele puternic murdare.
- 4) Când recuperarea soluției murdare se termină sau rezervorul de soluție este gol, trebuie să goliți rezervorul de recuperare. (a se vedea GOLIREA REZERVORULUI)

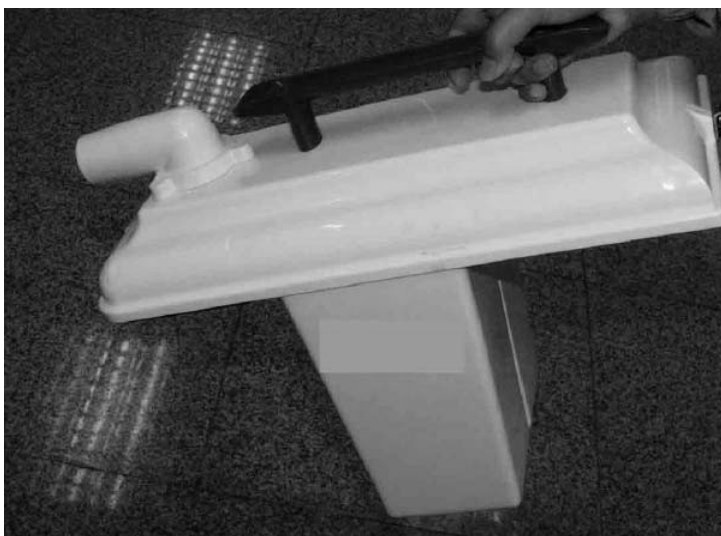
REZERVOARE DE GOLIRE

GOLIREA REZERVORULUI DE SOLUȚIE

- 1) Opriți mașina și deconectați-o de la sursa de alimentare.
- 2) Scoateți soluția și furtunurile de aspirare din partea din față a mașinii.
- 3) Desfaceți clemele de pe rezervorul de recuperare și scoateți rezervorul de recuperare din mașină.
- 4) Transportați rezervorul de soluție la o scurgere aprobată și aruncați conținutul.

GOLIREA REZERVORULUI DE RECUPERARE

- 1) Opriți mașina și deconectați-o de la sursa de alimentare.
- 2) Desfaceți clemele de pe rezervorul de recuperare și scoateți rezervorul de recuperare din mașină.
- 3) Transportați rezervorul de recuperare la o scurgere aprobată și aruncați conținutul.



- 4) Clătiți rezervorul de recuperare cu apă curată.
- 5) Asamblați aparatul din nou.

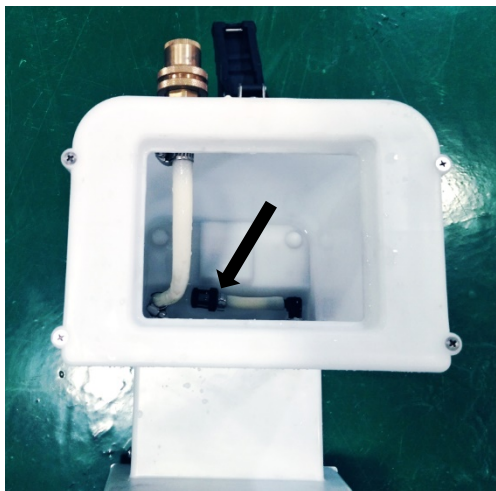
ÎNTREȚINERE

Pentru a menține funcționarea bună a mașinii timp de mulți ani, vă rugăm să urmați următoarele proceduri de întreținere.

!!! Confirmați întotdeauna că mașina este deconectată înainte de a efectua orice întreținere sau reparații!!!

ÎNTREȚINERE ZILNICĂ

- 1) Când operațiunea de curățare a fost finalizată pentru ziua respectivă, goliți și clătiți bine rezervorul de recuperare cu apă curată.
- 2) Îndepărtați soluția rămasă din rezervorul de soluție.
- 3) Scoateți filtrul de aspirare și clătiți cu apă curată.
- 4) Înlocuiți filtrul atunci când este uscat.



- 5) Scoateți și verificați duza de pulverizare. Dacă este necesar, curățați duza.

NOTĂ: Nu curățați duza cu un obiect ascuțit, deoarece acesta va deteriora duzele.

- 6) Verificați banda periei și îndepărtați resturile sau fibrele de covor.
- 7) Verificați unealta de ridicare frontală și îndepărtați resturile sau fibrele covorului.
- 8) Curățați mașina cu un agent de curățare neabraziv.
- 9) Verificați cablul de alimentare pentru a detecta orice urme de deteriorări. Înlocuiți-l dacă este necesar.

ÎNTREȚINERE LUNARĂ

- 1) Spălați pompa și instalația sanitară cu o soluție de acid acetic pentru a dizolva orice acumulare chimică.
Instrucțiuni de amestecare:
 - a. Amestecați aproximativ 8 oz. de soluție de acid acetic cu circa 1 galon de apă și turnați în rezervorul de soluție.
 - Porniți comutatorul de vid / pompă.
 - b. Puneți capul uneltei de podea peste scurgerea podelei și trageți declanșatorul soluției timp de un (1) minut.
 - c. Opriți mașina și lăsați soluția să stea în mașină peste noapte.
 - d. A doua zi pulverizați soluția rămasă și spălați din nou sistemul cu aproximativ 1 galon de apă curată.
- 2) Verificați mașina pentru scurgeri de apă.
- 3) Verificați dacă mașina prezintă piulițe, șuruburi și pivoți slăbiți sau lipsă și înlocuiți-i dacă este necesar.

DEPOZITAREA MAȘINII

- 1) Înainte de depozitarea mașinii, asigurați-vă că rezervoarele de soluție și recuperare sunt curate și nu există soluție în interior.
- 2) Depozitați mașina în poziție verticală într-o zonă uscată, cu furtunul de aspirare îndepărtat pentru circulația aerului.

NOTĂ: Dacă depozitați mașina într-o zonă care poate îngheța, asigurați-vă că ambele rezervoare și instalațiile sanitare nu conțin apă și sunt uscate!

DEPANARE DE BAZĂ

Defecțiune	Cauze probabile	Remediere
Mașina nu funcționează	Nu este conectată la sursa de alimentare	Conectați-o la o priză cu împământare
	Cablu de alimentare defect	Contactați distribuitorul
	Cablu de alimentare prelungitor defect	Înlocuiți cu un nou cablu de alimentare prelungitor
	Disjunctoarele asamblajului au fost declanșate	Resetați disjunctorul
Pompa pentru soluție nu funcționează	Comutatorul de vid / pompă nu este pornit	Porniți comutatorul
	Comutator de vid / pompă defect	Contactați distribuitorul
	Supapă electromagnetică defectă	Contactați distribuitorul
	Pompa pentru soluție este defectă	Contactați distribuitorul
	Pompă supraîncălzită	Determinați cauza și așteptați 30 de minute ca pompa să se răcească
	Cabluri slăbite sau rupte	Contactați distribuitorul
Motorul de aspirare nu funcționează	Comutatorul de vid / pompă nu este pornit	Porniți comutatorul
	Comutator de vid / pompă defect	Contactați distribuitorul
	Supraîncărcarea termică a motorului de aspirare s-a declanșat	Verificați dacă există vreun blocaj și așteptați 30 de minute să se răcească
	Motor de aspirare defect	Contactați distribuitorul
	Perii de carbon uzate	Contactați distribuitorul
	Cabluri slăbite sau rupte	Contactați distribuitorul
Ridicare slabă	Scurgeri de aer în jurul garniturii de recuperare	Asigurați-vă că este bine strâns capacul de recuperare
	Garnitura de vid este deteriorată sau uzată	Înlocuiți garnitura
	Racordurile furtunului de aspirare sunt slăbite	Asigurați-vă că racordurile furtunului de aspirare sunt strânse
	Furtun de aspirare defect	Înlocuiți furtunul de aspirare
	Marginile furtunului de aspirare sunt slăbite	Asigurați-vă că marginile sunt fixate de carcasă
	Furtunul de aspirare este înfundat	Îndepărtați blocajul furtunului de aspirare
Pulverizare inegală sau fără soluție	Rezervorul de soluție este gol sau nivelul soluției este scăzut	Umpleți rezervorul cu soluție
	Comutatorul de vid / pompă nu este pornit	Porniți comutatorul
	Vârfuri de pulverizare murdare sau înfundate	Curățați sau înlocuiți vârful de pulverizare
	Dimensiune incorectă a vârfului de pulverizare sau unghi de pulverizare necorespunzător	Contactați distribuitorul
	Vârfuri de pulverizare uzate	Contactați distribuitorul
	Pompa pentru soluție este defectă	Contactați distribuitorul
	Filtru al rezervorului de soluție înfundat	Curățați sau înlocuiți filtrul
	Furtun de soluție prins sau răsucit	Verificați dacă există obstacole și îndoiți și redirecționați sau înlocuiți dacă este necesar

DEPANARE**DEZAFECTARE**

Mașina se va dezafecta la un centru specializat de tratare a deșeurilor.

Înainte ca mașina să fie dezafectată, scoateți și dezamblați următoarele ansambluri pentru care prevederile și reglementările legale impun dezafectarea în mod corespunzător.

- Suport perie/lavetă
- Furtun de plastic și piese de plastic
- Componente electrice și electronice (*)

(*) Contactați centrul de service al companiei noastre pentru distrugerea oricăror componente electrice și electronice.

Compoziția și posibilitatea de reciclare a materialelor care alcătuiesc mașina

Tip	Procent reciclabil	WOLF130 procent % din greutate
Motoare electrice-diverse	20%	22%
Materiale feroase	80%	20%
Cabluri	80%	1%
Lichide	100%	0%
Material plastic nereciclabil	0%	1%
Material plastic reciclabil	100%	45%
Cauciuc	20%	1%

ВВЕДЕНИЕ**ПРИМЕЧАНИЕ.**

Цифры в скобках относятся к компонентам, показанным в главе «Описание машины».

ЦЕЛЬ РУКОВОДСТВА И СОДЕРЖАНИЕ

Целью данной инструкции по применению является предоставление оператору всей основной информации, сведений о технических характеристиках, эксплуатации, бездействии машины, техническом обслуживании, запасных частях и условиях безопасности и т. д.

Перед выполнением любой процедуры на машине операторы и квалифицированные специалисты должны прочитать инструкцию по применению. Обращайтесь в нашу компанию, в случае сомнений, касающихся толкования инструкций или за любой дополнительной информацией.

КАК ХРАНИТЬ ДАННУЮ ИНСТРУКЦИЮ ПО ПРИМЕНЕНИЮ

Инструкция по применению должна храниться рядом с машиной, в пригодном ящике, подальше от жидкостей и других веществ, которые могут вызвать какие-либо повреждения.

ДЕКЛАРАЦИЯ СООТВЕТСТВИЯ

Декларация соответствия предоставляется вместе с машиной и удостоверяет соответствие машины с действующим законодательством.

**ПРИМЕЧАНИЕ.**

Копии оригинала декларации соответствия предоставляются вместе с документацией машины.

АКСЕССУАРЫ И ОБСЛУЖИВАНИЕ

Все необходимые процедуры по эксплуатации, техническому обслуживанию и ремонту должны выполняться квалифицированным персоналом, или назначенным сервисным центром нашей компании. Следует использовать только разрешенные запчасти и аксессуары.

В случае необходимости получения обслуживания или покупки аксессуаров или запасных частей обращайтесь в центр по обслуживанию клиентов нашей компании.

ИЗМЕНЕНИЕ И УЛУЧШЕНИЕ

Мы стремимся к постоянному совершенствованию своей продукции, и компания оставляет за собой право на изменения и улучшения машины без дополнительного информирования.

СФЕРА ПРИМЕНЕНИЯ

Эта машина предназначена для промышленного использования. Она предназначена для использования в помещениях и не может использоваться ни в каких иных целях. Используйте только рекомендованные аксессуары.

ИДЕНТИФИКАЦИОННЫЕ ДАННЫЕ МАШИНЫ

Серийный номер и название модели машины обозначены на серийной этикетке.

Эта информация полезна. Используйте следующую таблицу для того, чтобы записать идентификационные данные машины, когда потребуются запасные части для машины.

МОДЕЛЬ МАШИНЫ.....

СЕРИЙНЫЙ НОМЕР МАШИНЫ.....

ТРАНСПОРТИРОВКА И РАСПАКОВКА

Внимательно проверьте транспортную коробку на предмет повреждений. Немедленно сообщайте перевозчику обо всех повреждениях транспортной коробки.

Проверьте содержимое коробки, чтобы проверить комплектность поставки. Если что-то отсутствует, обратитесь к своему дистрибьютору.

Содержание:

- Машина для удаления пятен с ковровых покрытий
- Шланги для всасывания и чистящего раствора
- Держатель

БЕЗОПАСНОСТЬ

Следующие символы обозначают потенциально опасные ситуации. Всегда внимательно читайте эту информацию и принимайте все необходимые меры предосторожности для защиты людей и имущества. **ВИЗУАЛЬНЫЕ СИМВОЛЫ НА МАШИНЕ.**

ВИДИМЫЕ СИМВОЛЫ НА МАШИНЕ



ПРЕДУПРЕЖДЕНИЕ!

Перед выполнением любой операции на машине внимательно прочитайте все инструкции.



ПРЕДУПРЕЖДЕНИЕ!

Не мойте машину под прямой или напорной струей воды.

СИМВОЛЫ, КОТОРЫЕ ПОЯВЛЯЮТСЯ В ИНСТРУКЦИИ ПО ПРИМЕНЕНИЮ



ОПАСНОСТЬ!

Это указывает на опасную ситуацию с риском смерти для оператора.



ПРЕДУПРЕЖДЕНИЕ!

Это указывает на потенциальную опасность получения травмы для людей.



ВНИМАНИЕ!

Это указывает на предостережение или замечание, связанное с важными или полезными функциями. Обратите внимание на пункты, обозначенные этим символом.



ПРИМЕЧАНИЕ.

Это указывает на замечание, связанное с важными или полезными функциями.



КОНСУЛЬТАЦИЯ

Это указывает на необходимость обратиться к инструкции по применению перед выполнением любой процедуры.

ОБЩИЕ ИНСТРУКЦИИ ПО БЕЗОПАСНОСТИ

Общие сведения. Во время использования эта машина для удаления пятен с ковровых покрытий должна быть заземлена, чтобы защитить оператора от поражения электрическим током. Машина оснащена трехконтактной вилкой заземляющего типа, которую следует подсоединять к соответствующей розетке с заземляющим контактом. Зеленый (или желто-зеленый) провод в шнуре — это провод заземления. Подключайте этот провод только к заземляющему контакту вилки.

Эта машина предназначена для использования в сети с номинальным напряжением 220–240 В и имеет вилку заземления, похожую на показанную на изображении ниже. Убедитесь, что машина подключена к розетке той же конфигурации, что и вилка. С этой машиной нельзя использовать адаптер.

Конкретные предупреждения и предостережения для сообщения о потенциальных повреждениях людям и машины показаны ниже.



ОПАСНОСТЬ!

- Данная машина должна эксплуатироваться обученным и уполномоченным персоналом в соответствии с указаниями настоящего руководства.
- Перед выполнением любой процедуры очистки, технического обслуживания, ремонта или замены внимательно прочтите все инструкции и убедитесь, что машина **ВЫКЛЮЧЕНА**.
- Не используйте машину вблизи токсичных, опасных, горючих и (или) взрывоопасных порошков, жидкостей или паров. Эта машина не подходит для сбора опасных порошков.
- Не носите драгоценности во время работы рядом с электрическими компонентами.
- Не работайте с поднятой машиной без ее надежной фиксации на защитных подножках.



ПРЕДУПРЕЖДЕНИЕ!

- Данная машина предназначена для **КОММЕРЧЕСКОГО ИСПОЛЬЗОВАНИЯ**, например, в гостиницах, школах, больницах, на заводах, в магазинах, офисах и арендуемых помещениях.
- Машины, оставленные без присмотра, необходимо защитить от случайного передвижения.
- Чтобы предотвратить несанкционированное использование машины, источник питания должен быть отключен или заблокирован.
- Внимательно проверяйте машину перед каждым использованием. Убедитесь, что все компоненты правильно собраны перед использованием. Неправильно закрепленные компоненты могут нанести ущерб людям и имуществу.
- Никогда не перемещайте машину, взявшись за кабель. Не пропускайте кабель через закрытую дверь и не сгибайте его через острые края или углы. Не допускайте наезда машины на кабель. Держите кабель подальше от нагретых поверхностей.
- Для снижения риска возникновения пожара, поражения электрическим током или травмы, перед уходом убедитесь, что машина выключена.
- Используйте или храните машину в помещении в сухих условиях, не допускается использовать машину вне помещения.
- Температура работы и хранения машины должна быть в пределах от 0 °C до +40 °C, влажность воздуха должна быть в пределах 30–95 %.
- Не используйте машину на склонах с уклоном, превышающим уклон, указанный в спецификации.
- При использовании и эксплуатации моющих средств для пола, следуйте инструкциям на этикетках моющих средств, надевайте защитные перчатки и используйте прочие защитные устройства.
- В случае неисправности машины, убедитесь, что это происходит не из-за отсутствия технического обслуживания. При необходимости обратитесь за помощью к уполномоченному персоналу или в авторизованный сервисный центр.

- Примите все необходимые меры предосторожности, чтобы предотвратить попадание волос, драгоценностей и частей одежды в движущиеся части машины.
- Не используйте машину в сильно запыленных местах.
- Не мойте машину под прямой или напорной струей воды или с использованием агрессивных веществ.
- Не задевайте полки или стеллажи, особенно там, где существует риск падения предметов.
- Не прислоняйте емкости с жидкостью к машине, используйте соответствующие держатели.
- В случае пожара, используйте сухой порошковый огнетушитель. Не используйте жидкие огнетушители.
- Не удаляйте и не изменяйте наклейки машины.
- Будьте внимательны во время транспортировки машины при температуре ниже точки замерзания. Вода в баке для грязной воды и в шлангах может замерзнуть и серьезно повредить машину.
- Если какие-либо запасные части необходимо заменить, закажите **ОРИГИНАЛЬНЫЕ** запасные части в офисе нашей компании или у уполномоченного дилера.
- Сообщите в сервисный центр, если машина не работает исправно, повреждена, находилась на открытом воздухе или упала в воду.
- Для обеспечения правильной и безопасной эксплуатации машины плановое техническое обслуживание, указанное в соответствующей главе данного Руководства, должно выполняться уполномоченным персоналом или в авторизованном сервисном центре.
- Данная машина используется только в качестве поломоечной машины и не предназначена для использования в любых других целях.
- Всегда содержите шланги в чистоте, чтобы не было сопротивления потоку воздуха. Не используйте машину, если они забиты.
- Используйте машину только при надлежащем освещении.
- Данная машина не предназначена для использования лицами (в том числе детьми) с ограниченными физическими, сенсорными или умственными способностями, или с отсутствием опыта и знаний.
- При использовании машины рядом с детьми необходимо работать максимально внимательно.
- Дети должны быть под присмотром и не должны играть с машиной.
- При использовании данной машины будьте внимательны, чтобы не нанести вред людям или имуществу.
- Очистка и техническое обслуживание силами пользования не должны выполняться детьми без присмотра взрослых.
- Операторам необходимо пройти надлежащий инструктаж по использованию этих машин.
- Заземление этой машины имеет исключительно функциональное назначение.
- Если шнур питания поврежден, он должен быть заменен производителем, его агентом по обслуживанию или лицами с аналогичной квалификацией, чтобы избежать опасности.
- Вынимайте вилку из розетки во время чистки или обслуживания, а также при замене деталей или переключении машины в другой режим

**ОПИСАНИЕ МАШИНЫ
КОНСТРУКЦИЯ МАШИНЫ**

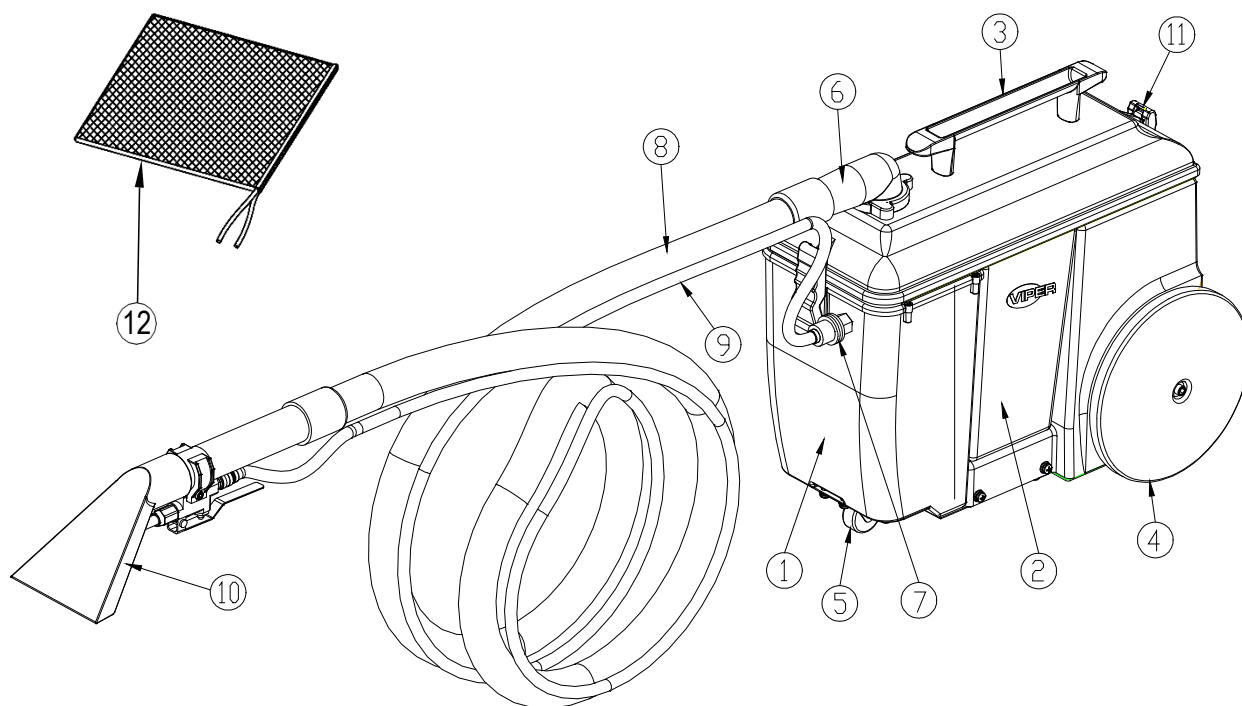
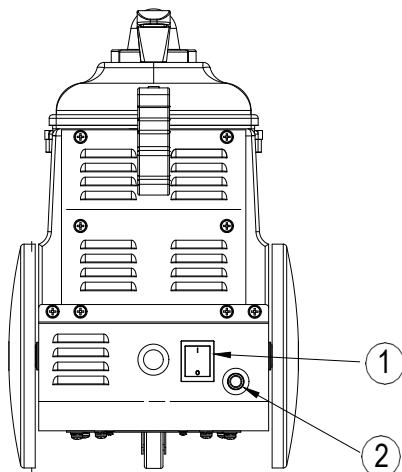


Рис. 1

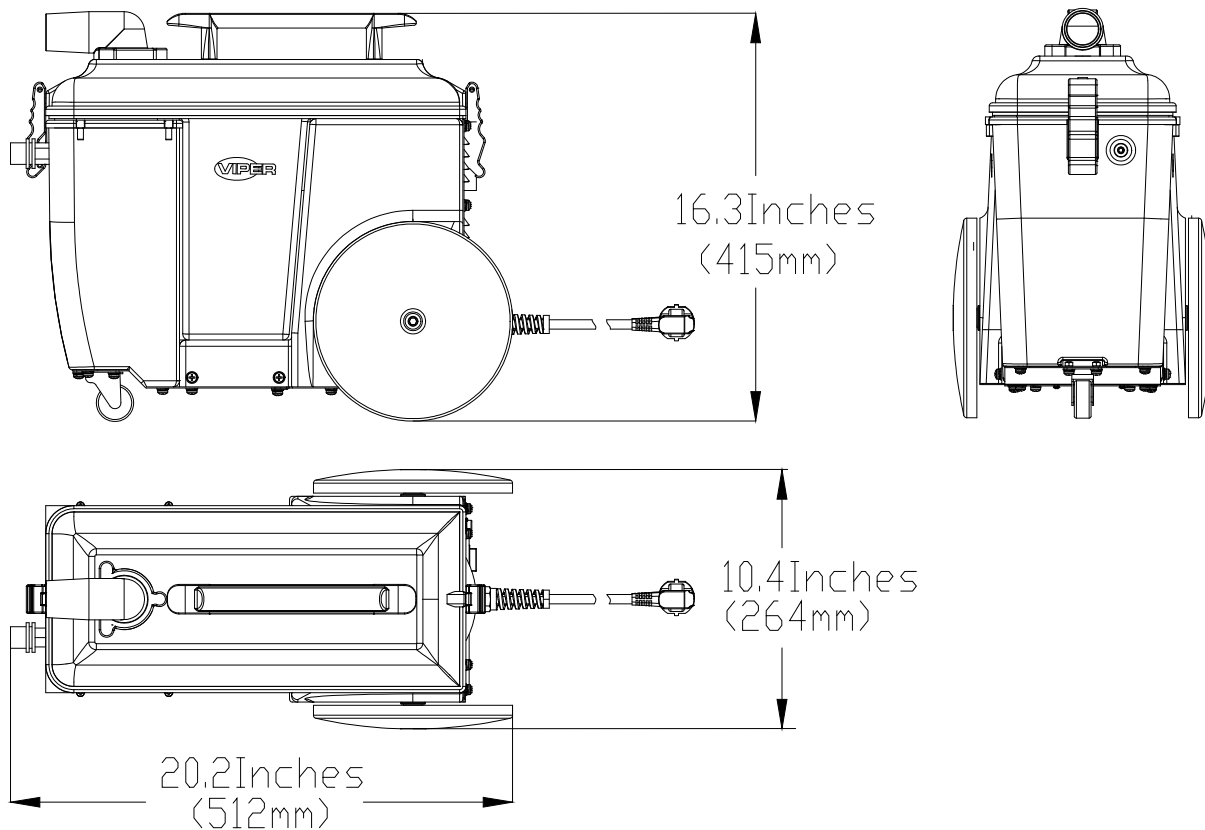
- | | |
|---|--|
| 1. Бак для чистящего раствора | 7. Патрубок для подсоединения шланга подачи чистящего раствора |
| 2. Бак для грязной воды | 8. Всасывающий шланг |
| 3. Ручка | 9. Шланг подачи чистящего раствора |
| 4. Ходовые колеса | 10. Держатель |
| 5. Передний ролик | 11. Зажим |
| 6. Патрубок для подсоединения всасывающего шланга | 12. Синяя сумка для аксессуаров |

ПАНЕЛЬ УПРАВЛЕНИЯ

1. Переключатель питания
2. Защита от перегрузки



РАЗМЕР МАШИНЫ

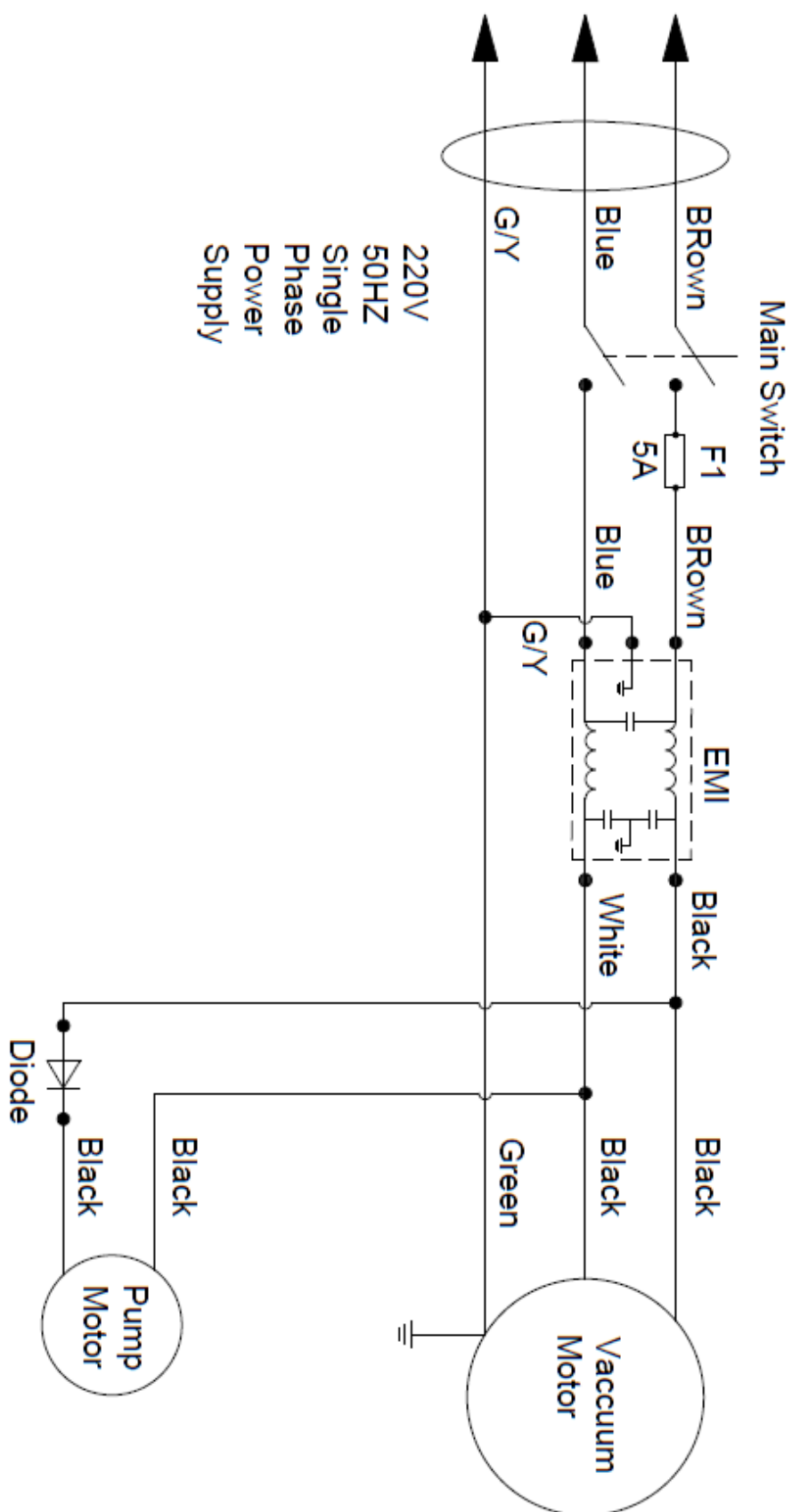


ТЕХНИЧЕСКИЕ ПАРАМЕТРЫ

Модели	EU	UK	TURKEY
Общее описание	WOLF130		
Кат. № ,торговый код	50000589	50000604	50000603
Напряжение В	220-240V		
Электродвигатель всасывания	1000 Вт		
Номинальный ток при полной нагрузке	4.7 А		
Вес	9.85kg		
Вес с упаковкой	29.8 фунтов (13.5 кг)		
Уровень звуковой мощности	80 дБ		
Уровень звукового давления	67дБ А		
Давление насоса подачи чистящего раствора	30 PSI (2 бара)		
Подъем воды (макс. давление всасывания)	85 дюймов H ₂ O (21.8 кПа)		
Кабель питания	10 м, оранжевый		
Путь очистки	4 дюйма (10.2 см)		
Емкость баков для чистящего раствора и грязной воды	3.8L		
Длина шлангов подачи чистящего раствора и всасывания	3М		
Размеры Д x Ш x В	23.3 x 15.4 x 19.3 дюйма (59 x 39 x 49 см)		

(*): Опционально

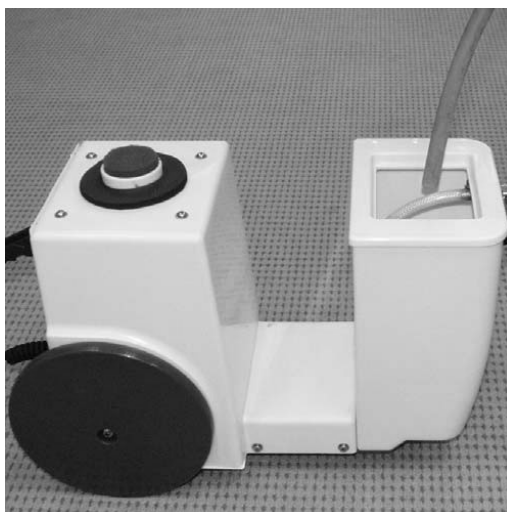
ЭЛЕКТРИЧЕСКАЯ СХЕМА



РУКОВОДСТВО ПО ЭКСПЛУАТАЦИИ

Внимательно прочтите руководство оператора перед эксплуатацией или обслуживанием этой машины.

- 1) Шлангом или ведром залейте в бак не более 1 галлона воды (с температурой ниже 50°C).



Не используйте легковоспламеняющиеся жидкости и не эксплуатируйте машину в условиях присутствия горючих жидкостей или паров или рядом с такими зонами.

- 2) Подсоедините шланги подачи раствора и всасывания к машине.
- 3) Подключите шнур питания к заземленной настенной розетке. (см. инструкции по заземлению).

ЭКСПЛУАТАЦИЯ МАШИНЫ

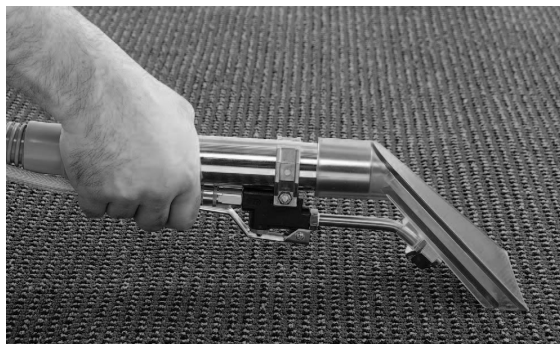
ПЕРЕД УДАЛЕНИЕМ ПЯТЕН

- 1) Осмотрите шнур питания на предмет повреждений. При обнаружении повреждений замените кабель.
- 2) Пропылесосьте ковер, чтобы убрать мусор перед удалением пятна.

УДАЛЕНИЕ ПЯТНА

- 1) Установите выключатель питания в положение «I».

ПРИМЕЧАНИЕ: чистящий раствор будет распыляться, только если потянуть за ручку распылителя (на держателе).
- 2) Чтобы начать очистку, потяните за ручку распылителя (на держателе) и начните тянуть инструмент назад по пятну.
- 3) Отпустите ручку распылителя, когда дойдете до конца пятна. Протяните держатель еще 4 дюйма, чтобы собрать излишки моющего средства.



- 4) Продолжайте до тех пор, пока пятно не будет удалено.

СОВЕТЫ ПО ЭКСПЛУАТАЦИИ

- 1) Используйте только прохладную воду. Горячая вода может оставлять пятно.
- 2) Постоянно проверяйте уровень пены в баке для грязной воды. Чтобы избежать излишнего пенообразования, используйте рекомендованное дистрибьютором моющее средство.
ПРИМЕЧАНИЕ: избыточное пенообразование может привести к повреждению электродвигателя всасывания.
- 3) Если участок сильно загрязнен, выполните процедуру удаления пятна несколько раз.
- 4) После заполнения бака для грязной воды или опустошения бака для чистящего раствора опустошите бак для грязной воды. (см. ОПУСТОШЕНИЕ БАКОВ)

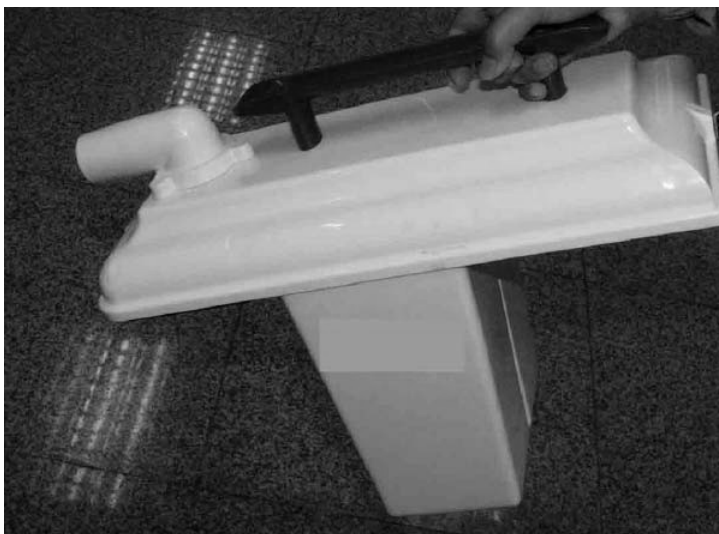
ОПУСТОШЕНИЕ БАКОВ

ОПУСТОШЕНИЕ БАКА ДЛЯ ЧИСТЯЩЕГО РАСТВОРА

- 1) Выключите машину и отключите ее от источника питания.
- 2) Отсоедините шланги подачи раствора и всасывания от машины.
- 3) Откройте зажимы на баке для грязной воды и отсоедините бак для грязной воды от машины.
- 4) Опустошите бак для чистящего раствора в подходящее сливное отверстие.

ОПУСТОШЕНИЕ БАКА ДЛЯ ГРЯЗНОЙ ВОДЫ

- 1) Выключите машину и отключите ее от источника питания.
- 2) Откройте зажимы на баке для грязной воды и отсоедините бак для грязной воды от машины.
- 3) Опустошите бак для грязной воды в подходящее сливное отверстие.



- 4) Промойте бак для грязной воды чистой водой.
- 5) Соберите машину.

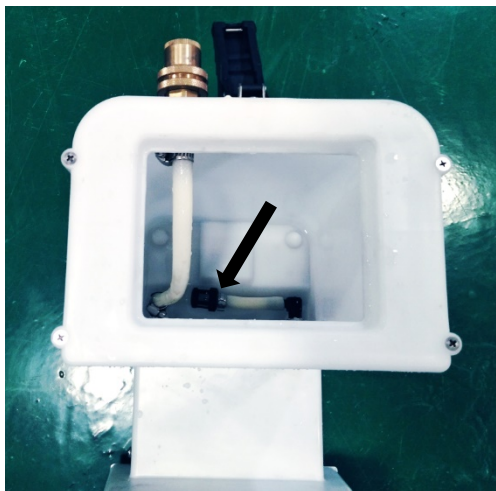
ТЕХНИЧЕСКОЕ ОБСЛУЖИВАНИЕ

Чтобы машина безотказно работала в течение многих лет, выполняйте следующие процедуры обслуживания.

!!! Перед выполнением всех процедур обслуживания или ремонта всегда отключайте машину от сети питания.

ЕЖЕДНЕВНОЕ ОБСЛУЖИВАНИЕ

- 1) После завершения рабочего дня опустошите и тщательно помойте бак для грязной воды чистой водой.
- 2) Слейте оставшийся чистящий раствор из бака для чистящего раствора.
- 3) Снимите фильтр линии всасывания и промойте его чистой водой.
- 4) Дайте фильтру высохнуть и установите его на место.



- 5) Снимите и осмотрите распылительную форсунку. При необходимости прочистите ее.

ПРИМЕЧАНИЕ: не очищайте форсунки острыми предметами, так как это может повредить их.

- 6) Проверьте полосовую щетку и удалите с нее мусор и волокна ковра.
- 7) Осмотрите насадку на держателе и снимите с нее мусор и волокна ковра.
- 8) Очистите машину неабразивным очистителем.
- 9) Осмотрите шнур питания на предмет повреждений. Замените при необходимости.

ЕЖЕМЕСЯЧНОЕ ОБСЛУЖИВАНИЕ

- 1) Промойте насос и трубопроводы раствором уксусной кислоты для удаления химических отложений.

Инструкции по приготовлению раствора:

- a. Влейте 8 унций уксусной кислоты в 1 галлон воды и вылейте этот раствор в бак для чистящего раствора.

Включите всасывание и насос.

- b. Расположите насадку над сливным отверстием и потяните за переключатель подачи раствора в течение одной (1) минуты.
- c. Выключите машину и оставьте остатки раствора в машине на ночь.
- d. На следующий день распылите оставшийся раствор и снова промойте систему 1 галлоном чистой воды.

- 2) Осмотрите машину на предмет утечек воды.
- 3) Проверьте машину на предмет ослабленных или отсутствующих гаек, винтов и болтов, и при необходимости замените.

ХРАНЕНИЕ МАШИНЫ

- 1) Перед постановкой машины на хранение убедитесь, что баки для чистящего раствора и грязной воды пустые и чистые.
- 2) Храните машину в вертикальном положении в сухом месте, отсоединив всасывающий шланг от системы циркуляции воздуха.

ПРИМЕЧАНИЕ: если вы храните машину в месте, в котором температура может опускаться ниже точки замерзания, убедитесь, что оба бака и трубопровод подачи раствора пустые и сухие!

ПОИСК И УСТРАНЕНИЕ ОСНОВНЫХ НЕПОЛАДОК

Неполадка	Возможные причины	Решение
Машина не работает	Не подключен источник питания	Подключите машину к заземленной розетке
	Неисправный шнур питания	Свяжитесь с дистрибьютором
	Неисправный удлинительный шнур питания	Замените новым удлинительным шнуром питания
	Сработал автоматический выключатель здания	Сбросьте автоматический выключатель
Насос подачи раствора не работает	Переключатель всасывания/насоса не включен	Включите переключатель
	Неисправен переключатель всасывания/насоса	Свяжитесь с дистрибьютором
	Неисправный соленоид	Свяжитесь с дистрибьютором
	Неисправный насос подачи раствора	Свяжитесь с дистрибьютором
	Насос перегревается	Определите причину и дайте насосу остыть в течение 30 минут.
	Провода отсоединены или повреждены	Свяжитесь с дистрибьютором
Электродвигатель всасывания не работает	Переключатель всасывания/насоса не включен	Включите переключатель
	Неисправен переключатель всасывания/насоса	Свяжитесь с дистрибьютором
	Сработало реле тепловой перегрузки электродвигателя всасывания	Проверьте присутствие заграждений и дайте остыть в течение 30 минут
	Неисправный электродвигатель всасывания	Свяжитесь с дистрибьютором
	Изношенные угольные щетки	Свяжитесь с дистрибьютором
	Провода отсоединены или повреждены	Свяжитесь с дистрибьютором
Плохое всасывание	Утечка воздуха на уплотнительной прокладке	Убедитесь, что крышка бака для грязной воды плотно закрыта
	Повреждена или изношена прокладка на линии всасывания	Замените прокладку
	Неплотное подсоединение шланга всасывания	Проверьте плотность подсоединения шланга всасывания
	Дефект шланга всасывания	Замените шланг всасывания
	Ослаблены манжеты шланга всасывания	Убедитесь, что манжеты плотно прилегают к корпусу
	Шланг всасывания засорен	Прочистите шланг всасывания
Неравномерное распыление раствора или его отсутствие	Бак для чистящего раствора пуст или в нем слишком мало раствора	Заполните бак для чистящего раствора
	Переключатель всасывания/насоса не включен	Включите переключатель
	Наконечники распылительной форсунки засорены или забиты	Очистите или замените наконечники распылительной форсунки
	Неправильный размер наконечника распылительной форсунки или угол распыления	Свяжитесь с дистрибьютором
	Изношенные наконечники распылительных форсунок	Свяжитесь с дистрибьютором
	Неисправный насос подачи раствора	Свяжитесь с дистрибьютором
	Засорен фильтр бака для чистящего раствора	Очистите или замените фильтр
	Передавлен или перекручен шланг для чистящего раствора	Проверьте на наличие препятствий и перегибов, при необходимости измените схему прокладки шланга или замените его

УСТРАНЕНИЕ НЕИСПРАВНОСТЕЙ**УТИЛИЗАЦИЯ**

Утилизируйте машину квалифицированным учреждением по отходам.

Перед утилизацией машины, пожалуйста, разберите машину на детали по соответствующим законам и нормативным актам, и распределите соответствующим образом.

- Щетка/штатив подкладки
- Пластиковый шланг и пластиковые детали
- Электрические и электронные компоненты (*)

(*) Обратитесь в сервисный центр нашей компании, чтобы утилизировать любой из электрических и электронных компонентов.

Материальный состав машины и возможность переработки материалов

Тип	Процент материала, пригодного для переработки	WOLF130 весовой процент, %
Электродвигатели — различные материалы	20%	22%
Черные металлы	80%	20%
Жгут проводов	80%	1%
Жидкости	100%	0%
Неперерабатываемый пластик	0%	1%
Перерабатываемый пластик	100%	45%
Резина	20%	1%

ÚVOD**POZNÁMKA**

Čísla v zátvorke sa vzťahujú na komponenty zobrazené v kapitole Popis stroja.

CIEĽ A OBSAH PRÍRUČKY

Účelom tohto návodu na obsluhu je poskytnúť obsluhu všetky základné informácie o technických vlastnostiach, prevádzke, nečinnosti stroja, náhradných dieloch, bezpečnostných podmienkach atp.

Pred vykonaním akéhokoľvek úkonu na zariadení si obsluha a kvalifikovaný technický personál musia prečítať návod na obsluhu.

V prípade pochybností týkajúcich sa interpretácie pokynov, alebo ak potrebujete ďalšie informácie, kontaktujte našu spoločnosť.

AKO UCHOVÁVAŤ TENTO NÁVOD NA OBSLUHU

Návod na obsluhu odkladajte do puzdra v blízkosti zariadenia, v dostatočnej vzdialenosti od kvapalín a iných látok, ktoré by mohli spôsobiť jeho poškodenie.

VYHLÁSENIE O ZHODE

Vyhlasenie o zhode sa dodáva spolu so zariadením a potvrdzuje zhodu zariadenia s platnými právnymi predpismi.

**POZNÁMKA**

Kópie originálneho vyhlásenia o zhode sa dodávajú spolu s dokumentáciou zariadenia.

PRÍSLUŠENSTVO A ÚDRŽBA

Akúkoľvek operáciu, údržbu alebo opravu smie vykonať len kvalifikovaný personál, alebo servisné centrum určené našou spoločnosťou. Smú sa používať LEN originálne alebo schválené súčiastky.

Kontaktujte zákaznícku službu našej spoločnosti, ak potrebujete kúpiť príslušenstvo alebo náhradné diely.

ZMENY A VYLEPŠENIA

Usilujeme sa o neustále zlepšovanie našich výrobkov a spoločnosť si vyhradzuje právo na zmeny a vylepšenia stroja bez predchádzajúceho upozornenia.

ROZSAH POUŽITIA

Toto zariadenie je určené na komerčné použitie. Je skonštruované pre použitie vo vnútornom prostredí a nie je určené na žiadne iné použitie. Používajte iba odporúčané príslušenstvo.

IDENTIFIKAČNÉ ÚDAJE STROJA

Sériové číslo a názov modelu stroja sú uvedené na sériovom štítku.

Táto informácia je užitočná. Z tabuľky nižšie si vypíšte identifikačné údaje stroja pre prípad objednávania náhradných dielov.

MODEL STROJA.....

SÉRIOVÉ ČÍSLO STROJA.....

PREPRAVA A ROZBALENIE

Starostlivo skontrolujte prepravný obal, či nie je poškodený. Poškodenie prepravného obalu okamžite nahláste prepravcovi.

Skontrolujte obsah prepravného obalu a uistite sa, že je kompletný. Ak niečo chýba, kontaktujte vášho distribútora.

Obsah:

- Vysávač na čistenie kobercov
- Hadice pre vysávač a roztok
- Ručný nástroj

BEZPEČNOSŤ

Nasledujúce symboly upozorňujú na potenciálne nebezpečné situácie. V záujme ochrany osôb a majetku si vždy pozorne prečítajte tieto informácie a vykonajte všetky potrebné opatrenia.

VIDITEĽNÉ SYMBOLY NA STROJI**VAROVANIE!**

Pred vykonaním akejkoľvek operácie so strojom si pozorne prečítajte všetky pokyny.

**VAROVANIE!**

Neumývajte stroj priamym alebo stlačeným prúdom vody.

SYMBOLY, KTORÉ SA OBJAVUJÚ V NÁVODE NA OBSLUHU**NEBEZPEČENSTVO!**

Upozorňuje na nebezpečnú situáciu s rizikom usmrtenia obsluhy.

**VAROVANIE!**

Upozorňuje na potenciálne riziko zranenia osôb.

**UPOZORNENIE!**

Označuje výstrahu alebo poznámku súvisiacu s dôležitými alebo užitočnými funkciami. Venujte pozornosť odsekom označeným týmto symbolom.

**POZNÁMKA**

Poukazuje na poznámku týkajúcu sa dôležitých alebo užitočných funkcií.

**KONZULTÁCIA**

Ukazuje na nevyhnutnosť pozrieť si návod na obsluhu pred vykonaním akéhokoľvek úkonu.

VŠEOBECNÉ BEZPEČNOSTNÉ POKYNY

Všeobecne - Tento stroj na čistenie kobercov musí byť počas používania uzemnený, aby chránil obsluhu pred úrazom elektrickým prúdom. Stroj je vybavený pripojovacou zástrčkou s uzemnením a tromi kontaktmi, ktorá je vhodná do príslušnej uzemnenej zásuvky. Zelený (alebo zeleno-žltý) vodič v kábli je uzemňovací vodič. Tento vodič nikdy nepripájajte k inému ako uzemňovaciemu kolíku pripájajúcej zástrčky.

Tento stroj je určený na použitie v obvode s menovitým napätím 220 - 240 voltov a má uzemňovaciu zástrčku, ktorá sa podobá zástrčke znázornenej na obrázku nižšie. Skontrolujte, či je stroj pripojený k zásuvke s rovnakou konfiguráciou ako zástrčka. S týmto strojom sa nesmie používať žiadny adaptér.

Špecifické varovania a výstrahy upozorňujú na potenciálne zranenie osôb a poškodenie zariadenia.

**NEBEZPEČENSTVO!**

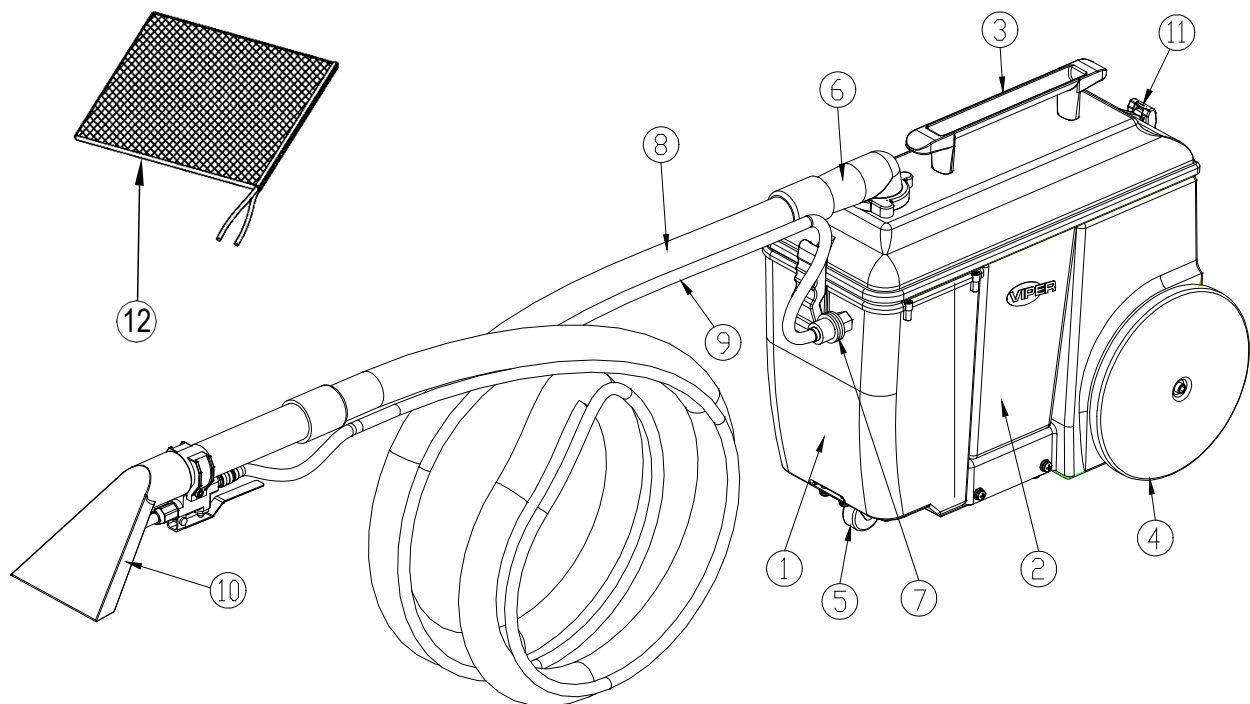
- Tento stroj musí prevádzkovať poučená a autorizovaná osoba podľa usmernení v návode.
- Pred akýmkoľvek čistením, údržbou, opravou alebo výmennou si pozorne prečítajte všetky pokyny a vypnite stroj.
- Neprevádzkujte stroj v blízkosti toxických, nebezpečných, horľavých a/alebo výbušných práškov, kvapalín alebo výparov. Tento stroj nie je vhodný na vysávanie nebezpečných práškov.
- Pri práci v blízkosti elektrických súčiastok nenoste šperky.
- Nepracujte pod zdvihnutým zariadením bez jeho podopretia bezpečnostnými podperami.

**VAROVANIE!**

- Tento stroj je určený na KOMERČNÉ POUŽITIE, napríklad v hoteloch, školách, nemocniciach, továrňach, obchodoch, kanceláriách a prenájmoch.
- Stroje ponechané bez dozoru musia byť zabezpečené proti neúmyselnému pohybu.
- Aby sa zabránilo neoprávnenému použitiu stroja, musí byť zdroj energie vypnutý alebo zablokovaný.
- Pred každým použitím dôkladne skontrolujte stroj. Uistite sa, že boli všetky súčiastky správne zmontované. Uvoľnené komponenty môžu spôsobiť riziko zranenia osôb a škôd na majetku.
- Nikdy nepremiestňujte stroj ťahaním za kábel. Nevedzte kábel cez zatvorené dvere, ani ho nenavíjajte okolo ostrých hrán alebo rohov. Neprechádzajte strojom po kábli. Držte kábel ďalej od horúcich povrchov.
- Aby ste znížili riziko požiaru, poranenia elektrickým prúdom alebo zranenia, uistite sa, že stroj vypnete, predtým, než odídete.
- Používajte a skladujte stroj v interiéri v suchom prostredí, nie je povolené používať ho vonku.
- Skladovacia a prevádzková teplota stroja musí byť od 0 ° C do + 40 ° C, vlhkosť vzduchu musí byť od 30 % do 95 %.
- Nepoužívajte stroj na šikmých plochách s prevýšením vyšším, ako je uvedené v technických údajoch.
- Pri používaní a narábaní s prostriedkami na čistenie podlahy dodržiavajte pokyny na štítkoch obalov týchto prostriedkov a noste vhodné rukavice a iné ochranné prostriedky.
- V prípade nesprávneho fungovania stroja sa uistite, že to nie je v dôsledku nedostatočnej údržby. Ak je potrebné, požiadajte o pomoc autorizovanú osobu alebo autorizované servisné stredisko.

- Vykonajte všetky nevyhnutné opatrenia, aby sa vlasy, šperky a voľné oblečenie nezachytili do pohyblivých častí stroja.
- Nepoužívajte stroj na obzvlášť prašných miestach.
- Neumývajte stroj priamym alebo stlačeným prúdom vody, ani korozívnymi zmesami.
- Nevrážajte do regálov alebo lešení, predovšetkým tam, kde je riziko padajúcich predmetov.
- Neopierajte nádoby s tekutinami o stroj, používajte príslušný držiak na nádoby.
- V prípade požiaru použite suchý práškový hasiaci prístroj. Nepoužívajte tekuté hasiace prístroje.
- Neodstraňujte ani neupravujte štítky na zariadení.
- Venujte pozornosť pri preprave stroja, keď je teplota pod bodom mrazu. Voda v nádrži na špinavú vodu a v hadiciach by mohla zamrznúť a spôsobiť vážne poškodenie stroja.
- Ak je potrebné vymeniť súčiastky za náhradné diely, objednávajte ORIGINALNE náhradné diely od autorizovaných predajcov a distribútorov.
- Ak stroj nefunguje ako zvyčajne alebo je poškodený, vráťte ho do servisného strediska.
- Na zaistenie správneho a bezpečného fungovania stroja musí autorizovaná osoba alebo autorizovaný predajca alebo maloobchodník vykonať plánovanú údržbu podľa príslušnej kapitoly tohto návodu.
- Tento stroj je iba čistiacim nástrojom, ktorý nie je určený na žiadne iné účely.
- Vždy udržiavajte otvory čisté od prachu, vlasov a iných cudzích materiálov, ktoré by mohli znížiť prietok vzduchu. Nepoužívajte stroj, ak sú otvory upchaté.
- Stroj používajte len tam, kde je riadne osvetlenie.
- Tento stroj nie je určený na používanie osobami (vrátane detí) so zníženými fyzickými, zmyslovými alebo mentálnymi schopnosťami alebo s nedostatkom skúseností a znalostí.
- Pri používaní v blízkosti detí je potrebná zvýšená pozornosť.
- Deti musia byť pod dozorom, aby sa zaistilo, že sa so strojom nehrajú.
- Počas používania tohto stroja buďte opatrní, aby ste nespôsobili škody na osobách ani predmetoch.
- Deti bez dozoru nesmú vykonávať čistenie a údržbu.
- Obsluha musí byť primerane poučená o používaní týchto strojov.
- Toto zariadenie je uzemnené iba z funkčných dôvodov
- Ak je napájací kábel poškodený, musí ho vymeniť výrobca, jeho servisný pracovník alebo podobne kvalifikované osoby, aby sa zabránilo nebezpečenstvu.
- Vytiahnite zástrčku zo zásuvky počas čistenia alebo údržby a pri výmene dielov alebo prestavbe stroja na inú funkciu

POPIS STROJA
KONŠTRUKCIA STROJA

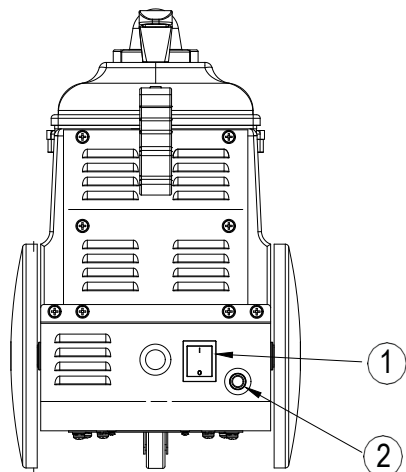


Obrázok 1

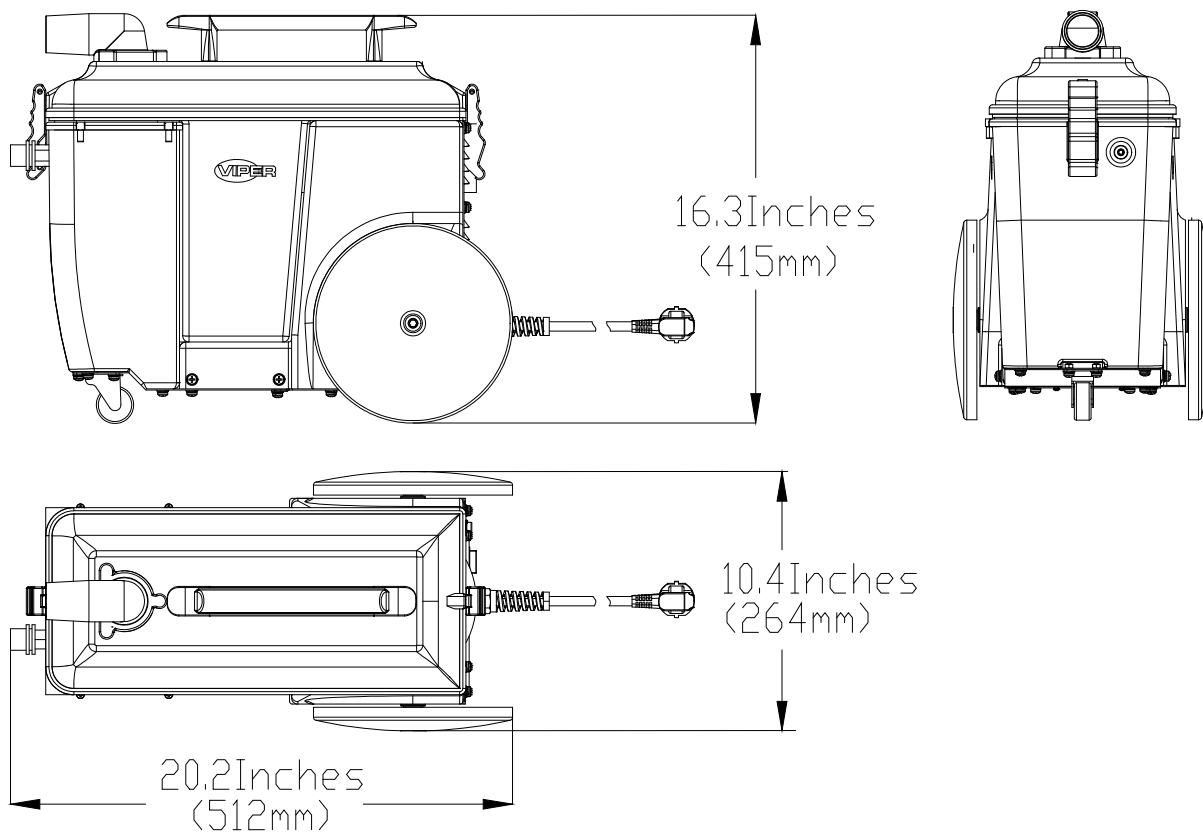
- | | |
|------------------------------|----------------------------------|
| 1. Nádrž na roztok | 7. Prípojka hadice na roztok |
| 2. Regeneračná nádrž | 8. Vysávacia hadica |
| 3. Rukoväť | 9. Hadica na roztok |
| 4. Prepravné kolieska | 10. Ručný nástroj |
| 5. Predné koliesko | 11. Svorka |
| 6. Prípojka vysávacej hadice | 12. Modrá taška na príslušenstvo |

OVLÁDACÍ PANEL

1. Hlavný vypínač
2. Chránič proti preťaženiu



ROZMERY STROJA

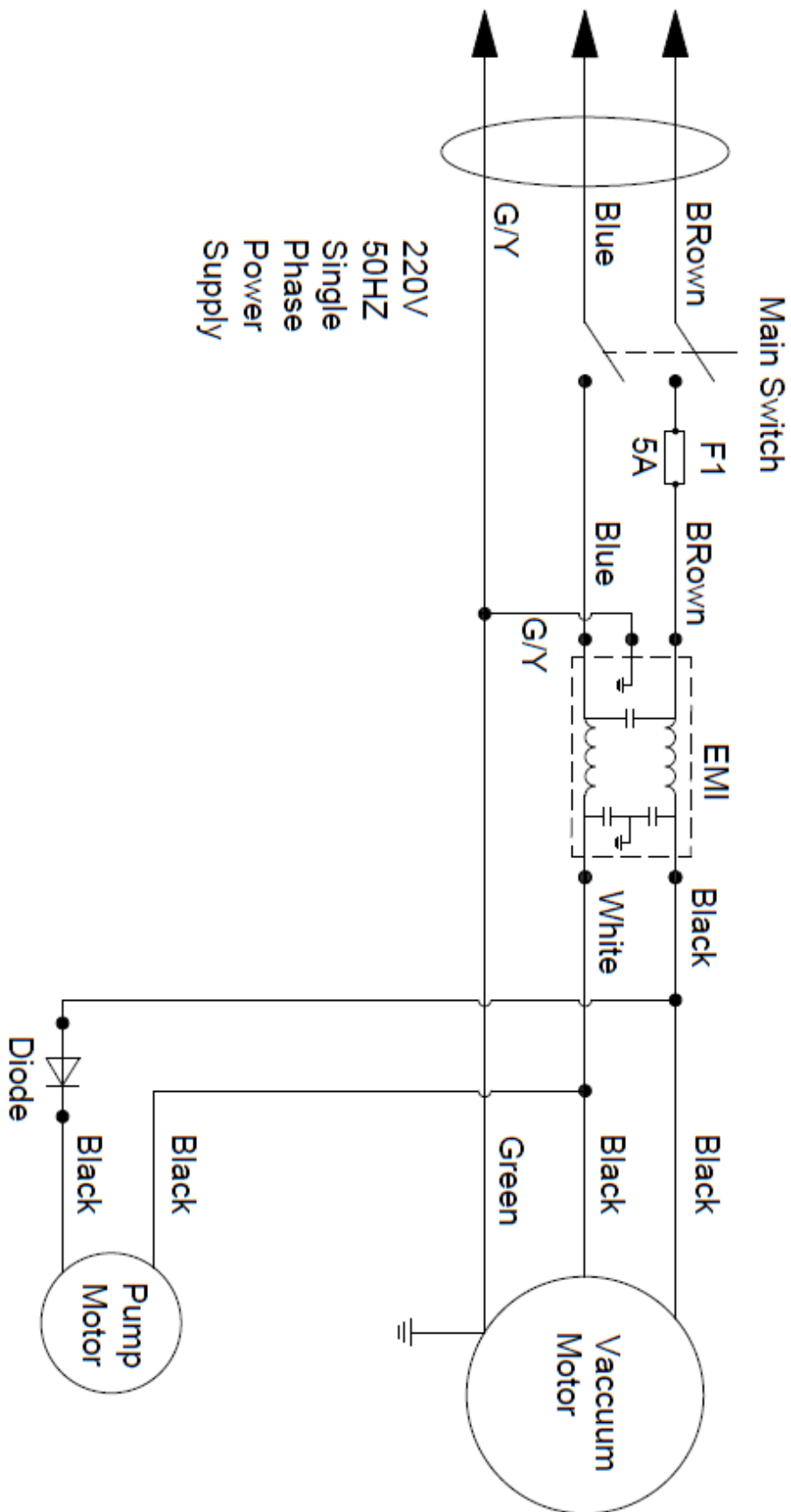


TECHNICKÉ PARAMETRE

Modely	EU	UK	TURKEY
Hlavný popis	WOLF130		
Ref. č. Skladový kód	50000589	50000604	50000603
Napätie	220-240V		
Vysávací motor	1000 W		
Odber prúdu	4.7 A		
Hmotnosť	9.85kg		
Prepravná hmotnosť	29.8 libier (13.5 kg)		
Hladina akustického výkonu	80 dB		
Hladina akustického tlaku	67 dB A		
Tlak čerpadla roztoku	30 PSI (2 bary)		
Vodný zdvih (max. podtlak)	85 palcov H ₂ O (21.8 KPa)		
Napájací kábel ft	10 m, bezpečnostný oranžový		
Šírka záberu čistenia v palcoch	4" (10.2 cm)		
Nádrž na roztok a regeneračná nádrž galón	3.8L		
Hadice na roztok a vysávacie hadice ft	3M		
Rozmery D x Š x V	23.3 x 15.4 x 19.3 palca (59 x 39 x 49 cm)		

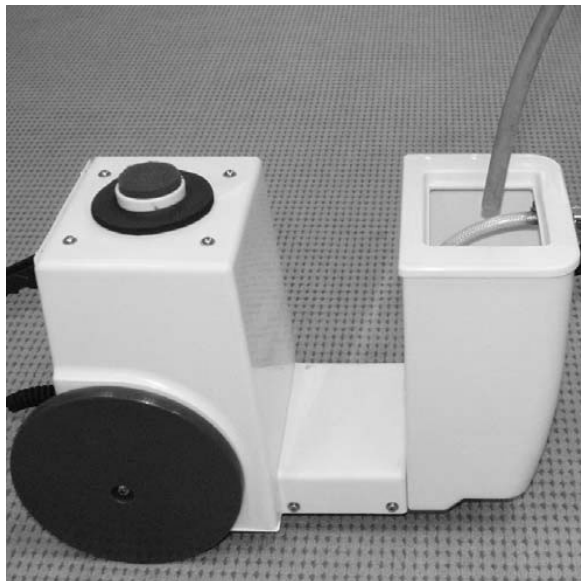
(*): voliteľne

SCHÉMA ZAPOJENIA



NÁVOD NA POUŽÍVANIE**Pred obsluhou alebo opravou tohto stroja si dôkladne prečítajte návod na obsluhu**

- 1) Pomocou hadice alebo vedra naplňte nádrž maximálne 1 galónom vody (teplota vody je nižšia ako 50 °C).



Nepoužívajte horľavé kvapaliny ani neobsluhujte stroj v blízkosti horľavých kvapalín alebo pár.

- 2) Pripojte hadicu na roztok a vysávaciu hadicu k stroju.
- 3) Pripojte napájací kábel k uzemnenej elektrickej zásuvke. (pozrite si pokyny na uzemnenie)

PREVÁDZKA STROJA**PRED ODSTRÁNENÍM ŠKVRN**

- 1) Skontrolujte, či nie je poškodený napájací kábel. Ak zistíte poškodenie, kábel vymeňte.
- 2) Pred odstraňovaním škvŕn povysávajte koberec.

ODSTRAŇOVANIE ŠKVRN

- 1) Prepnite hlavný vypínač do polohy „I“.
POZNÁMKA: Roztok sa nastrieka až po zatiahnutí za rozprašovaciu rukoväť (na ručnom náradí).
- 2) Na zahájenie čistenia potiahnite rozprašovaciu rukoväť (ručný nástroj) a začnite ťahať nástroj dozadu cez škvŕnu.
- 3) Po dosiahnutí konca škvŕny uvoľnite rozprašovaciu rukoväť. Pokračujte v ťahaní ručného nástroja o ďalšie 4 palce, aby ste povysávali prebytočný roztok.



- 4) Pokračujte, kým sa škvŕna neodstráni.

PREVÁDZKOVÉ RADY

- 1) Používajte iba studenú vodu. Horúca voda môže spôsobiť fľaky.
- 2) Priebežne kontrolujte, či sa v regeneračnej nádrži nehromadí pena. Použite roztok na kontrolu peny odporúčaný distribútorom.
POZNÁMKA: Nadmerné hromadenie peny spôsobí poškodenie vysávacieho motora.
- 3) Opakujte čistenie na silne znečistených miestach.
- 4) Keď skončí regenerácia špinavého roztoku alebo je nádrž na roztok prázdna, musíte regeneračnú nádrž vypustiť. (pozrite si VYPÚŠŤANIE NÁDRŽÍ)

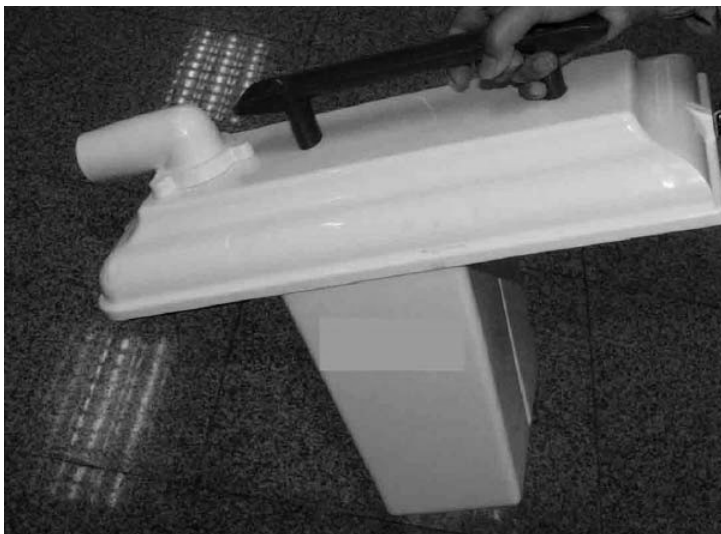
VYPÚŠŤANIE NÁDRŽÍ

VYPÚŠŤANIE NÁDRŽE NA ROZTOK

- 1) Vypnite stroj a odpojte ho od zdroja napájania.
- 2) Odpojte hadice na roztok a vysávanie z prednej časti stroja.
- 3) Odpojte svorky na regeneračnej nádrži a vyberte nádrž zo stroja.
- 4) Nádrž na roztok preneste ku schválenému odtoku a vylejte obsah.

VYPÚŠŤANIE REGENERAČNEJ NÁDRŽE

- 1) Vypnite stroj a odpojte ho od zdroja napájania.
- 2) Odpojte svorky na regeneračnej nádrži a vyberte nádrž zo stroja.
- 3) Odneste regeneračnú nádrž ku schválenému odtoku a vylejte obsah.



- 4) Vypláchnite regeneračnú nádrž čistou vodou.
- 5) Znova zostavte stroj.

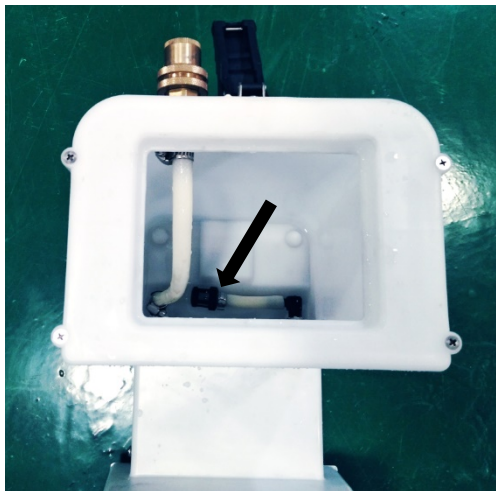
ÚDRŽBA

Ak chcete, aby stroj fungoval dobre po mnoho rokov, postupujte podľa nasledujúcich postupov údržby.

!!! Pred vykonaním akejkoľvek údržby alebo opravy vždy skontrolujte, či je stroj odpojený od siete !!!

DENNÁ ÚDRŽBA

- 1) Keď je denné čistenie ukončené, vypustite a dôkladne opláchnite regeneračnú nádrž čistou vodou.
- 2) Zvyšný roztok odstráňte z nádrže na roztok.
- 3) Vyberte vysávací filter a opláchnite čistou vodou.
- 4) Po vyschnutí vráťte filter na miesto.



- 5) Odstráňte a skontrolujte rozprašovací trysku. V prípade potreby trysku vyčistite.

POZNÁMKA: Trysku nečistite špicatým predmetom, pretože by to poškodilo trysku.

- 6) Skontrolujte kefovací pás a odstráňte všetky zvyšky alebo vlákna koberca.
- 7) Skontrolujte predný vysávací ručný nástroj a odstráňte všetky zvyšky alebo kobercové vlákna.
- 8) Stroj očistite neabrazívnym čistiacim prostriedkom.
- 9) Skontrolujte, či nie je poškodený napájací kábel. V prípade potreby vymeňte.

MESAČNÁ ÚDRŽBA

- 1) Prepláchnite čerpadlo a prípojky roztokom kyseliny octovej, aby sa rozpustil akýkoľvek chemický nános.
Pokyny na miešanie:
 - a. Premiešajte 8 oz. roztoku kyseliny octovej s 1 galónom vody a nalejte do nádrže na roztok.
 Zapnite hlavný vypínač vysávača/čerpadla.
 - b. Položte hlavu podlahového nástroja nad podlahový odtok a na jednu (1) minútu stlačte spúšť pre roztok.
 - c. Vypnite stroj a nechajte zvyšný roztok postáť v stroji cez noc.
 - d. Nasledujúci deň vystriekajte zvyšný roztok a prepláchnite systém znova 1 galónom čistej vody.
- 2) Skontrolujte stroj, či nedochádza k úniku vody.
- 3) Skontrolujte, či na stroji nie sú uvoľnené alebo chýbajúce matice, skrutky a skrutkové spoje a prípadne ich vymeňte.

SKLADOVANIE STROJA

- 1) Pred uskladnením stroja sa uistite, či sú nádrž na roztok a regeneračná nádrž čisté a bez akýchkoľvek roztokov.
- 2) Skladujte stroj vo zvislej polohe na suchom mieste s odstránenou vysávacou hadicou kvôli cirkulácii vzduchu.

POZNÁMKA: Ak stroj skladujete na mieste, kde môže mrznúť, uistite sa, že obe nádrže a rozvody pre roztok neobsahujú vodu a sú suché!

ZÁKLADNÉ RIEŠENIE PROBLÉMOV

Problém	Pravdepodobné príčiny	Riešenie
Stroj nefunguje	Nie je pripojený k zdroju napájania	Zapojte do uzemnenej zásuvky
	Chybný napájací kábel	Kontaktujte distribútora
	Chybný predlžovací napájací kábel	Vymeňte ho za nový predlžovací napájací kábel
	Vypol sa istič budovy	Resetujte istič
Čerpadlo roztoku nefunguje	Hlavný vypínač vysávača/čerpadla nie je zapnutý	Zapnite vypínač
	Chybný hlavný vypínač vysávača/čerpadla	Kontaktujte distribútora
	Chybný solenoid	Kontaktujte distribútora
	Chybné čerpadlo na roztok	Kontaktujte distribútora
	Čerpadlo je prehriate	Určite príčinu a nechajte čerpadlo 30 minút vychladnúť
	Uvoľnené alebo prerušené vedenie	Kontaktujte distribútora
Vysávací motor nefunguje	Hlavný vypínač vysávača/čerpadla nie je zapnutý	Zapnite vypínač
	Chybný hlavný vypínač vysávača/čerpadla	Kontaktujte distribútora
	Bola zapnutá tepelná ochrana vysávacieho motora	Skontrolujte na upchatie a nechajte 30 minút vychladnúť
	Chybný vysávací motor	Kontaktujte distribútora
	Opotrebované uhlíkové kefkы	Kontaktujte distribútora
	Uvoľnené alebo prerušené vedenie	Kontaktujte distribútora
Slabé nasávanie	Okolo tesnenia regeneračnej nádrže uniká vzduch	Uistite sa, že veko regeneračnej nádrže je pevne dotiahnuté
	Tesnenie vysávača je poškodené alebo opotrebované	Vymeňte tesnenie
	Uvoľnené prípojky vysávacej hadice	Uistite sa, že prípojky vysávacej hadice sú dotiahnuté
	Poškodená vysávacia hadica	Vymeňte vysávaciu hadicu
	Uvoľnené manžety vysávacej hadice	Zaistite, aby boli manžety bezpečne pripevnené ku krytu
	Upchatá vysávacia hadica	Odstráňte prekážku z vysávacej hadice
Nerovnomerné alebo žiadne rozprašovanie roztoku	Nádrž na roztok je prázdna alebo je v nej nízka hladina roztoku	Naplňte nádrž na roztok
	Hlavný vypínač vysávača/čerpadla nie je zapnutý	Zapnite vypínač
	Špinavé alebo upchaté striekacie trysky	Vyčistite alebo vymeňte striekacie trysky
	Nesprávna veľkosť striekacej trysky alebo uhol rozprašovania	Kontaktujte distribútora
	Opotrebované striekacie trysky	Kontaktujte distribútora
	Chybné čerpadlo na roztok	Kontaktujte distribútora
	Zanesený filter nádrže na roztok	Vyčistite alebo vymeňte filter
	Zovretá alebo zalomená hadica na roztok	Skontrolujte, či nie sú prekážky a zlomy, a podľa potreby presmerujte alebo vymeňte

RIEŠENIE PROBLÉMOV**LIKVIDÁCIA**

Likvidáciu stroja je potrebné vykonať odborne kvalifikovaným strediskom pre spracovanie odpadu.

Pred likvidáciou stroja odpojte časti uvedené nižšie, ktoré musia byť zlikvidované v súlade s platnými zákonmi a nariadeniami.

- Držiak kefy/mopu
- Plastová hadica a plastové súčiastky
- Elektrické a elektronické komponenty (*)

(*) Obráťte sa na naše servisné stredisko spoločnosti, ktoré zničí všetky elektrické a elektronické komponenty.

Zloženie a recyklovateľnosť materiálu stroja

Typ	Percento re-cyklovateľnosti	WOLF130 hmotnostné percento %
Elektrické motory - rôzne	20 %	22 %
Železné materiály	80 %	20 %
Elektroinštalácia	80 %	1 %
Kvapaliny	100 %	0 %
Plastový nerecyklovateľný materiál	0 %	1 %
Plastový recyklovateľný materiál	100 %	45 %
Guma	20 %	1 %

NAVODILA**OPOMBA**

Številke v oklepajih se nanašajo na komponente, prikazane v poglavju Opis naprave.

NAMEN VODIČA IN VSEBINA

Namen teh navodil za uporabo je operaterjem zagotoviti osnovne informacije in tehnične značilnosti, podatke o delovanju, neaktivnosti stroja, rezervnih delih ter varnostnih pogojih itn.

Pred izvajanjem procedur na napravi, morajo operaterji in usposobljeno osebje prebrati navodila za uporabo. Kontaktirajte naše podjetje v primeru kakršnih koli dvomov glede interpretacije navodil ali za dodatne informacije.

KAKO SHRANITI TA NAVODILA ZA UPORABO

Navodila za uporabo morajo biti zmeraj v bližini naprave, v primerni škatlici, stran od tekočin in ostalih snovi, ki lahko povzročijo kakršno koli škodo naprave.

IZJAVA O SKLADNOSTI

Izjava o skladnosti je dobavljena z napravo in dokazuje skladnost naprave z veljavnim zakonom.

**OPOMBA**

Kopije originalne izjave o skladnosti se nahajajo v sklopu dokumentacije naprave.

DODATKI IN VZDRŽEVANJE

Vse potrebno rokovanje, vzdrževanje in popravila mora opravljati usposobljeno osebje v popravilnem centru, ki ga določi naše podjetje. Uporabljajo se lahko SAMO originalni in odobreni rezervni deli in dodatki.

Kontaktirajte pomoč uporabnikom našega podjetja, če želite pridobiti informacije o servisu, kupiti rezervne dele ali dodatke.

SPREMEMBA IN IZBOLJŠANJE

Zavzemamo se za stalno izboljševanje svojih izdelkov, družba si pridržuje pravico do sprememb, strojnih in izboljšav brez dodatnega obveščanja.

OBSEG UPORABE

Naprava je namenjena komercialni uporabi. Izdelana je za uporabo v notranjem okolju in ni namenjena nobeni drugi uporabi. Uporabljajte samo priporočene dodatke.

IDENTIFIKACIJSKI PODATKI NAPRAVE

Serijska številka in naziv modela naprave sta označena na serijski oznaki.

Ta podatek je uporaben. V spodnjo tabelo zapišite identifikacijske podatke naprave, ko boste potrebovali rezervne dele naprave.

MODEL NAPRAVE

SERIJSKA ŠTEVILKA NAPRAVE

TRANSPORT IN RAZPAKIRANJE

Pazljivo preverite, da na škatli ni znakov poškodb. Vse poškodbe škatle nemudoma prijavite prevozniku.

Preverite vsebino škatle in zagotovite, da je škatla popolna. Če karkoli manjka, se obrnite na svojega distributerja.

Vsebina:

- Sesalnik za preproge
- Sesalna cev in cev za raztopino
- Ročni nastavek

VARNOST

Naslednji simboli opozarjajo na potencialno nevarne situacije. Te informacije preberite pozorno in upoštevajte potrebne varnostne ukrepe za zaščito ljudi in imetja.

VIDNI SIMBOLI NA NAPRAVI**OPOZORILO!**

Pozorno preberite vsa navodila, preden izvajate dela na napravi.

**OPOZORILO!**

Ne perite naprave z neposrednimi curki ali curki pod pritiskom.

SIMBOLI, KI SE POJAVLJAJO V NAVODILIH ZA UPORABO**NEVARNOST!**

Opozarja na nevarno situacijo s smrtnim tveganjem operaterja.

**OPOZORILO!**

Opozarja na pogojno tveganje poškodb ljudi.

**POZOR!**

Opozarja na previdnost ali pozornost na pomembne ali uporabne funkcije. Bodite pozorni na odstavke, ki so označeni s tem simbolom.

**OPOMBA**

Opozarja na pozornost na pomembne ali uporabne funkcije.

**POSVETOVANJE**

Kaže na potrebo po posvetovanju z navodili za uporabo, preden izvedete katero koli proceduro.

SPLOŠNA VARNOSTNA NAVODILA

Splošno – ta naprava za čiščenje madežev iz preprog mora biti med uporabo ozemljena, da je upravljavec zaščiten pred električnim udarom. Naprava je opremljena s priključnim vtičem za ozemljitev s tremi kontakti, da ustreza primerni vtičnici za ozemljitev. Zeleni (ali zeleni in rumeni) vodnik v kablu je ozemljitvena žica. Te žice nikoli ne priključite drugam kot na ozemljitveni zatič priključnega vtiča.

Naprava je namenjena uporabi v običajnem 220–240-voltnem vezju in vsebuje ozemljitveni vtič, ki je podoben vtiču na spodnji sliki. Zagotovite, da je naprava priključena na vtičnico z enako konfiguracijo kot vtič. Uporaba razdelilnikov z napravo ni dovoljena.

Spodaj so prikazana posebna opozorila in previdnosti za obveščanje o morebitnih poškodbah ljudi in naprav.

**NEVARNOST!**

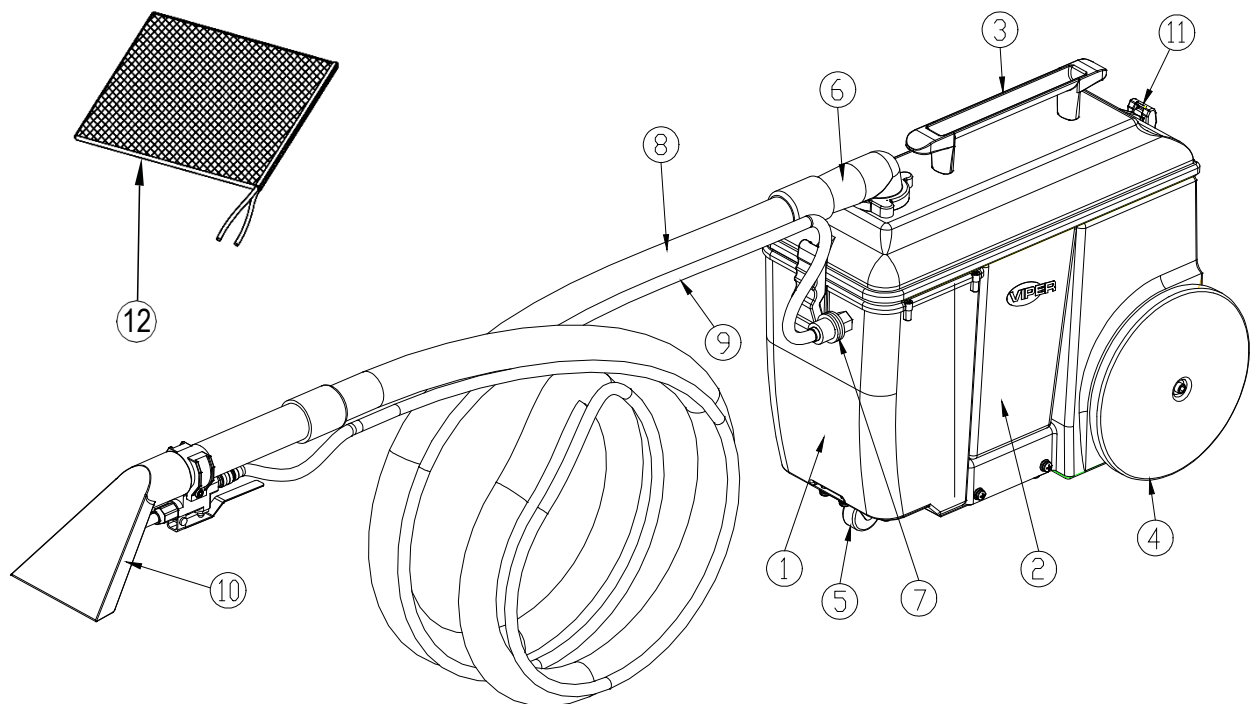
- To napravo mora upravljati samo usposobljeno in pooblaščen osebje, glede na vodila v tem priročniku.
- Pred čiščenjem, vzdrževanjem, popravilom in zamenjavami, previdno preberite vsa navodila in poskrbite, da izklopite napravo.
- Naprave ne uporabljajte v bližini strupenih, nevarnih, vnetljivih in/ali eksplozivnih praškov, tekočin ali hlapov. Ta naprava ni primeren za sesanje nevarnih vrst prahu.
- Ob delu v bližini električnih komponent stroja, ne nosite nakita.
- Ne delajte pod dvignjeno napravo, brez uporabe varnostnih stojal.

**OPOZORILO!**

- Stroj je namenjen **KOMERCIALNI UPORABI**, na primer v hotelih, šolah, bolnišnicah, tovarnah, trgovinah, pisarnah in izposojevalnicah.
- Naprave, ki niso pod nadzorom, je treba pritrditi zaradi nenamernega gibanja.
- Da preprečite nepooblaščen uporabo naprave, mora biti vir napajanja odklopljen ali zaklenjen.
- Pred uporabo previdno preglejte napravo. Preverite, ali so vse komponente pred uporabo pravilno sestavljene. Zrahljane komponente lahko povzročijo poškodbe ljudi in imetja.
- Naprave nikoli ne premikajte z vlačjenjem za kabel. Kabla ne speljujte skozi zaprta vrata, niti ga ne speljujte preko ostrih robov ali vogalov. Naprave ne premikajte preko kabla. Kabla ne približujte grelnim površinam.
- Da bi zmanjšali tveganje požara, električnega udara ali poškodbe, se prepričajte, da je naprava ugasnjena, preden jo zapustite.
- Uporabljajte in hranite napravo v notranjih prostorih v suhih razmerah, naprave ni dovoljeno uporabljati na prostem.
- Temperatura za shranjevanje in delovna temperatura naprave mora biti med 0 °C in +40 °C, vlažnost zraka mora biti med 30 %–95 %.
- Ne uporabljajte naprave na pobočjih z naklonom, ki presega tistega, ki je zapisan v specifikaciji.
- Ob uporabi in pri rokovanju s čistilnimi detergenti za tla, sledite navodilom na oznakah steklenic detergenta ter nosite primerne rokavice in ostalo zaščitno opremo.
- V primeru napačnega delovanja naprave se prepričajte, da do tega ni prišlo zaradi nezadostnega vzdrževanja. Če je potrebno, zaprosite za pomoč pooblaščen osebje ali pooblaščen servisni center.

- Pazite, da se lasje, nakit ali ohlapna oblačila ne ujamejo v premikajoče dele naprave.
- Ne uporabljajte naprave v posebej prašnih področjih.
- Ne perite naprave z neposrednimi curki ali curki pod pritiskom, ali s korozivnimi substancami.
- Naprave ne približujte policam ali odrom, še posebej tam, kjer obstaja možnost padanja predmetov.
- Ne prislanjajte steklenic s tekočinami na stroj, za to uporabite primerno držalo.
- V primeru požara, uporabite gasilnik s suhim prahom. Ne uporabljajte gasilnikov na tekočino.
- Ne odstranjujte ali spreminjajte oznak na napravi.
- Bodite pozorni, kadar je med prevozom stroja, temperatura pod lediščem. Voda v zbiralni posodi in v ceveh lahko zamrzne in povzroči resne poškodbe stroja.
- Če je potrebno zamenjati rezervne dele, naročite ORIGINALNE rezervne dele pri pooblaščenih prodajalcih.
- Če naprava ne deluje kot običajno ali je poškodovana, do vrnite v servisni center.
- Za pravilno in varno delovanje naprave, je potrebno izvajati predvideno vzdrževanje, kot je zapisano v poglavju o vzdrževanju v tem priročniku, ki ga mora izvesti pooblaščen osebje ali pooblaščen preprodajalec ali servisni center.
- Ta naprava je samo orodje za čiščenje in ni namenjena za kakršen koli drug namen.
- Odprtine naj bodo zmeraj čiste, brez prahu, las ali drugih tujkov, ki bi zmanjšali pretok zraka. Ne uporabljajte stroja, če so odprtine zamašene.
- To napravo uporabljajte samo, kjer je dovolj svetlobe.
- Naprave naj ne uporabljajo osebe (vključno z otroci) z zmanjšanimi telesnimi, zaznavnimi in umskimi sposobnostmi, ali s pomanjkanjem izkušenj in znanja.
- Ob uporabi v bližini otrok je potrebna posebna pozornost.
- Otroke je potrebno imeti pod nadzorom, da se ne igrajo z napravo.
- Med uporabo te naprave pazite, da ne boste poškodovali ljudi ali predmetov.
- Otroci ne smejo izvajati čiščenja in vzdrževanja brez nadzora.
- Operaterji morajo biti ustrezno poučeni o uporabi teh naprav.
- Naprava povezavo z ozemljitvijo vsebuje samo za funkcionalne namene
- Če je napajalni kabel poškodovan, ga mora zamenjati proizvajalec, servisni zastopnik ali podobno usposobljena oseba, da se izognete nevarnosti.
- Odstranjevanje vtiča iz vtičnice med čiščenjem ali vzdrževanjem in pri zamenjavi sestavnih delov ali pretvarjanju naprave za uporabo druge funkcije

OPIS NAPRAVE
ZGRADBA NAPRAVE

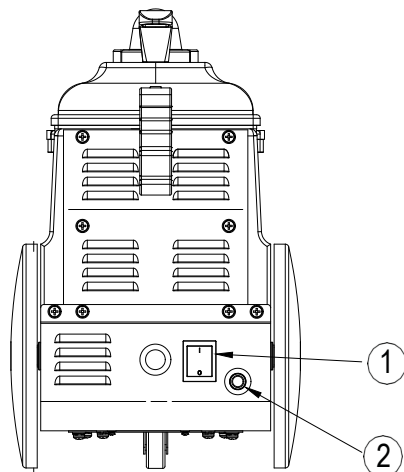


Slika 1

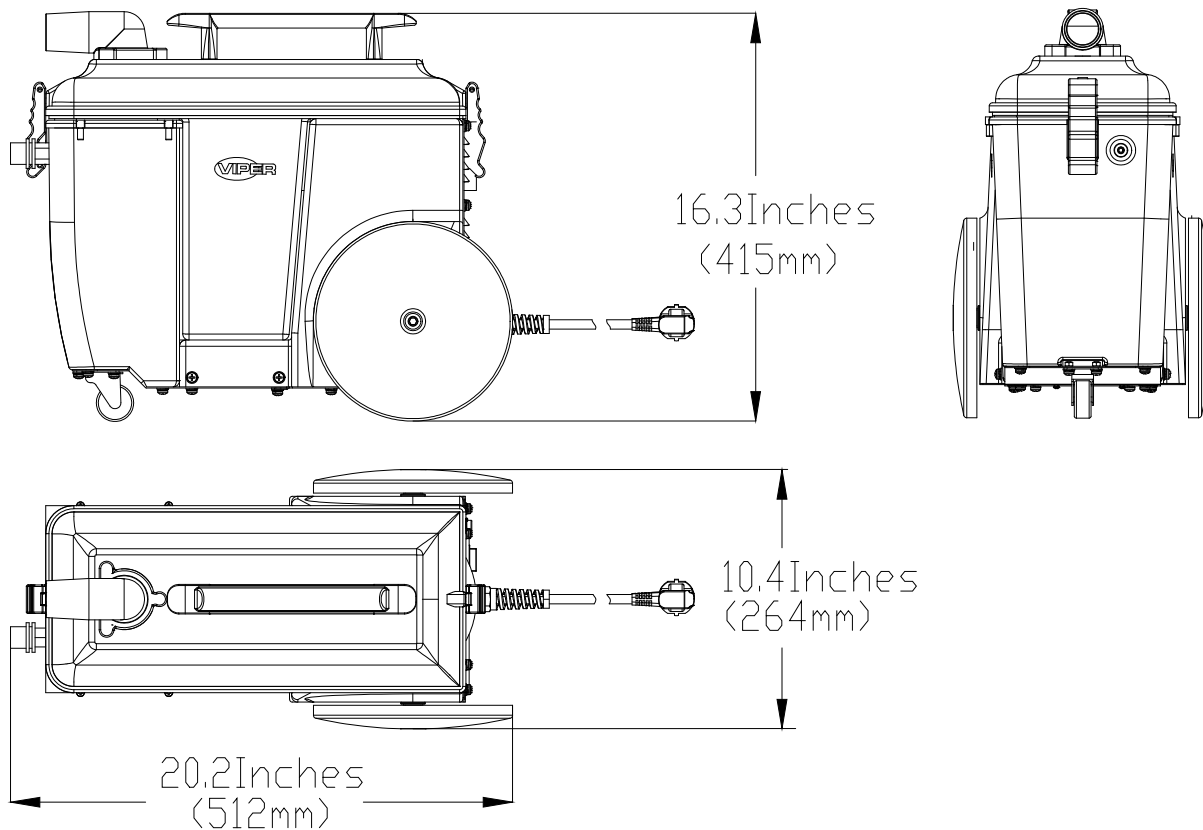
- | | |
|------------------------------|-----------------------------------|
| 1. Posoda z raztopino | 7. Priključek za cev za raztopino |
| 2. Zbiralna posoda | 8. Sesalna cev |
| 3. Ročaj | 9. Cev za raztopino |
| 4. Kolesa za transport | 10. Ročni nastavek |
| 5. Sprednje kolo | 11. Objemka |
| 6. Priključek za sesalno cev | 12. Modra torbica za dodatke |

NADZORNA PLOŠČA

1. Stikalo za vklop in izklop
2. Zaščita pred preobremenitvijo



VELIKOST NAPRAVE

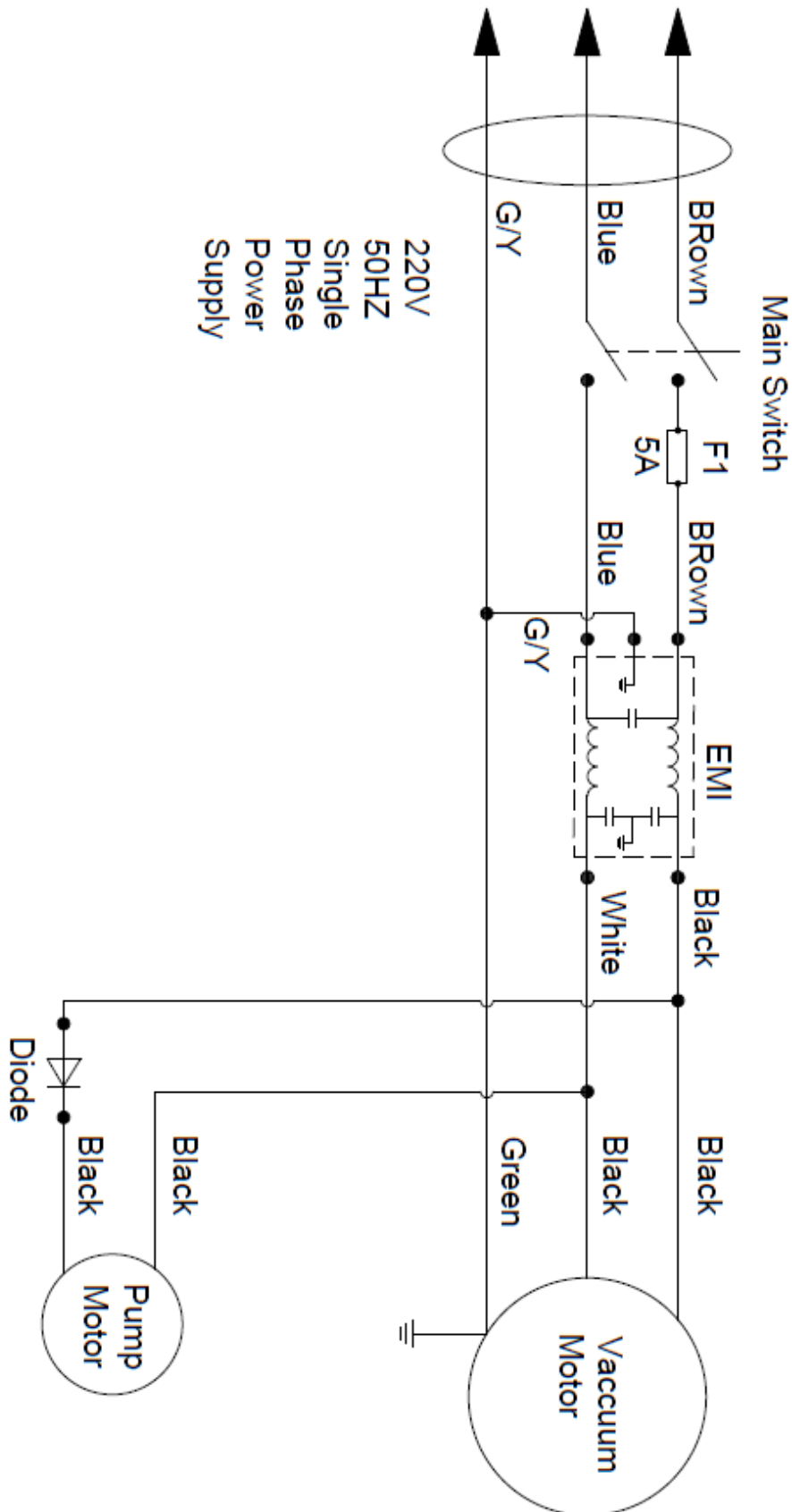


TEHNIČNI PARAMETRI

Modeli	EU	UK	TURKEY
Glavni opis	WOLF130		
Ref. št. kode zaloge	50000589	50000604	50000603
Voltaža	220-240V		
Motor sesalnika	1000 W		
Črpanje toka	4.7 amperov		
Teža	9.85kg		
Teža pošiljke	29.8lbs (13.5 kg)		
Raven zvočne moči	80 dB		
Raven zvočnega tlaka	67 dB A		
Tlak črpalke za raztopino	30 PSI (2 bar)		
Dvig vode (sesanje z največjo močjo)	85 palcev H ₂ O (21.8 KPa)		
Napajalni kabel v metrih	10 m, zaščitna oranžna		
Čistilna pot v palcih	4" (10.2 cm)		
Posoda za raztopino in zbiralna posoda v galon	3.8L		
Cev za raztopino in sesalna cev v metrih	3M		
Mere D x Š x V	23.3 x 15.4 x 19.3 in (59 x 39 x 49 cm)		

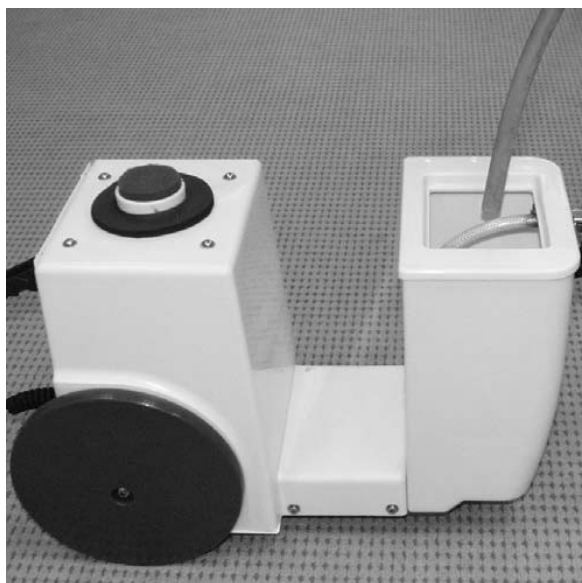
(*): Izbirno

SHEMA NAPELJAVE



OBRATOVALNI VODIČ**Pred uporabo ali servisiranjem naprave natančno preberite navodila za uporabo**

- 1) Z uporabo cevi ali vedra napolnite posodo z 1 galono vode (temperatura vode mora biti nižja od 50 °C).



Ne uporabljajte vnetljivih tekočin in naprave ne upravljajte v bližini vnetljivih tekočin ali hlapov

- 2) Cev za raztopino priključite na sesalno cev naprave.
- 3) Napajalni kabel priključite v ozemljeno stensko vtičnico. (glejte navodila za ozemljitev)

UPRAVLJANJE NAPRAVE**PRED ODSTRANJEVANJEM MADEŽEV**

- 1) Preverite napajalni kabel za poškodbe. Če odkrijete znake poškodb, zamenjajte kabel.
- 2) Pred odstranjevanjem madeža posesajte preprogo, da odstranite smeti.

ODSTRANJEVANJE MADEŽA

- 1) Stikalo za vklop in izklop preklopite v položaj »I«.
OPOMBA: Pršenje raztopine se začne, ko povlečete ročico za pršenje (na ročnem nastavku).
- 2) Čiščenje začnete tako, da povlečete ročico za pršenje (ročno orodje) in začnete napravo premikajte nazaj čez madež.
- 3) Ko pridete do konca madeža, spustite ročico za pršenje. Ročni nastavek še naprej vlecite nazaj za 4 palce, da posesate odvečno raztopino.



- 4) Nadaljujte, dokler ne odstranite madeža.

NAMIGI ZA UPORABO

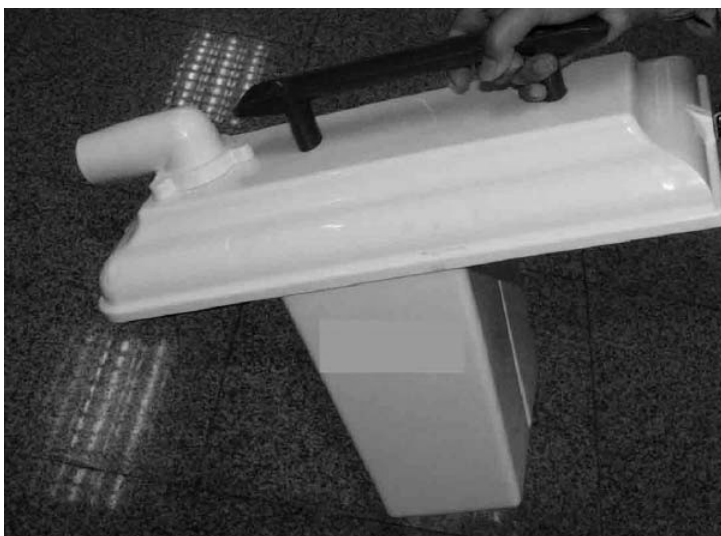
- 1) Uporabljajte samo hladno vodo. Vroča voda lahko pusti madež.
- 2) Pogosto preverjajte, da se v zbiralni posodi ne nabira pena. Uporabljajte raztopino za nadzor pene, priporočeno s strani distributerja.
OPOMBA: Prekomerno nabiranje pene povzroča poškodbe motorja sesalnika.
- 3) Na zelo umazanih delih večkrat ponovite pršenje.
- 4) Ko odlijete umazano raztopino ali ko je posoda z raztopino prazna, morate izprazniti zbiralno posodo. (glejte PRAZNJENJE POSODE)

PRAZNJENJE POSOD**PRAZNJENJE POSODE Z RAZTOPINO**

- 1) Izklopite napravo in jo odklopite z vira napajanja.
- 2) Odklopite cev za raztopino in sesalno cev s sprednjega dela naprave.
- 3) Odklopite objemke na zbiralni posodi in odstranite zbiralno posodo z naprave.
- 4) Posodo z raztopino odnesite do odobrenega odtoka in izlijte vsebino.

PRAZNJENJE ZBIRALNE POSODE

- 1) Izklopite napravo in jo odklopite z vira napajanja.
- 2) Odklopite objemke na zbiralni posodi in odstranite zbiralno posodo z naprave.
- 3) Zbiralno posodo odnesite do odobrenega odtoka in izlijte vsebino.



- 4) Zbiralno posodo sperite s čisto vodo.
- 5) Ponovno sestavite napravo.

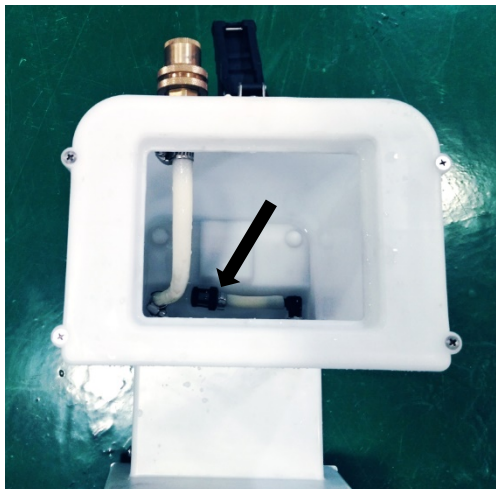
VZDRŽEVANJE

Če želite zagotoviti, da naprava deluje vrsto let, upoštevajte naslednje postopke za vzdrževanje.

!!! Pred izvajanjem vzdrževanja ali popravil vedno preverite, da je naprava odklopljena.

VSAKDANJE VZDRŽEVANJE

- 1) Ko vsak dan končate s čiščenjem, izpraznite zbiralno posodo in jo temeljito sperite s čisto vodo.
- 2) Odstranite preostalo raztopino iz posode z raztopino.
- 3) Odstranite sesalni filter in sperite s čisto vodo.
- 4) Filter zamenjajte, ko je suh.



- 5) Odstranite in pregledajte šobo za pršenje. Po potrebi očistite šobo.

OPOMBA: Šobe ne čistite z ostrim predmetom, saj lahko to poškoduje šobe.

- 6) Preverite trak s krtačo in odstranite vse smeti ali vlakna preprog.
- 7) Preverite glavo ročnega nastavka in odstranite vse smeti ali vlakna preprog.
- 8) Napravo očistite z neabrazivnim čistilom.
- 9) Preverite napajalni kabel za morebitne poškodbe. Po potrebi ga zamenjajte.

MESEČNO VZDRŽEVANJE

- 1) Črpalko in cevi izplaknite z raztopino z očetno kislino, da raztopite morebitne nabrane kemikalije.

Navodila za mešanje:

- a. Predhodno zmešajte 8 oz. raztopine z očetno kislino z 1 galono vode in zlijte v posodo z raztopino.

Vklopite stikalo sesalnika/črpalke.

- b. Glavo ročnega nastavka nastavite nad odtok in eno (1) minuto držite sprožilo za raztopino.

- c. Izklopite napravo in pustite preostalo raztopino, da čez noč počiva v napravi.

- d. Naslednji dan s pršenjem izpraznite preostalo raztopino in ponovno sperite sistem s 1 galono čiste vode.

- 2) Preverite, ali naprava pušča vodo.
- 3) Preverite, ali so na napravi zrahljane ali manjkajoče matice, vijaki in zapahi ter jih po potrebi zamenjajte.

SKLADIŠČENJE NAPRAVE

- 1) Pred skladiščenjem naprave zagotovite, da sta posoda z raztopino in zbiralna posoda čisti in prazni.
- 2) Napravo v pokončnem položaju shranite na suhem območju in odstranite sesalno cev, da zagotovite kroženje zraka.

OPOMBA: Če napravo skladiščite na območju, ki lahko zamrzne, zagotovite, da v posodah in ceveh za raztopino ni vode in so suhe.

OSNOVNO ODPRAVLJANJE NAPAK

Težava	Možni vzroki	Rešitev
Naprava ne deluje	Ni priključena na vir napajanja	Priključite v ozemljeno vtičnico
	Okvarjen napajalni kabel	Stopite v stik z distributerjem
	Okvara podaljška napajalnega kabla	Zamenjajte ga z novim podaljškom napajalnega kabla
	Varnostno stikalo stavbe se je vklopilo	Ponastavite varnostno stikalo
Črpalka za raztopino ne deluje	Stikalo sesalnika/črpalke ni vklopljeno	Vklopite stikalo
	Okvara stikala sesalnika/črpalke	Stopite v stik z distributerjem
	Okvara elektromagneta	Stopite v stik z distributerjem
	Okvara črpalke za raztopino	Stopite v stik z distributerjem
	Črpalka je pregreta	Ugotovite razlog in počakajte 30 minut, da se črpalka ohladi
	Zrahljana ali prekinjena napeljava	Stopite v stik z distributerjem
Motor sesalnika ne deluje	Stikalo sesalnika/črpalke ni vklopljeno	Vklopite stikalo
	Okvara stikala sesalnika/črpalke	Stopite v stik z distributerjem
	Sprožila se je toplotna preobremenitev motorja sesalnika	Preverite, ali je prišlo do zamašitve, in počakajte 30 minut, da se ohladi
	Okvara motorja sesalnika	Stopite v stik z distributerjem
	Obraba karbonskih krtač	Stopite v stik z distributerjem
	Zrahljana ali prekinjena napeljava	Stopite v stik z distributerjem
Slabo pobiranje	Puščanje zraka okrog tesnila zbiralne posode	Zagotovite, da je pokrov zbiralne posode trdno nameščen
	Tesnilo sesalnika je poškodovano ali obrabljeno	Zamenjajte tesnilo
	Zrahljani priključki za sesalno cev	Zagotovite, da so priključki za sesalno cev tesno pritrjeni
	Poškodovana cev sesalnika	Zamenjajte cev sesalnika
	Zrahljane obojke cevi za sesalnika	Zagotovite, da so obojke pritrjene na ohišje
	Cev sesalnika je zamašena	Odstranite zamašitev iz cevi sesalnika
Neenakomerno pršenje raztopine ali pršenje ne deluje	Posoda z raztopino je prazna ali skoraj prazna	Napolnite posodo z raztopino
	Stikalo sesalnika/črpalke ni vklopljeno	Vklopite stikalo
	Umazane ali zamašene konice za pršenje	Očistite ali zamenjajte konice za pršenje
	Nepravilna velikost konic za pršenje ali kot pršenja	Stopite v stik z distributerjem
	Obrabljene konice za pršenje	Stopite v stik z distributerjem
	Okvara črpalke za raztopino	Stopite v stik z distributerjem
	Zamašen filter posode z raztopino	Očistite ali zamenjajte filter
	Stisnjena ali upognjena cev za raztopino	Poiščite zamašitev in upogibe ter po potrebi znova napeljite ali zamenjajte

ODPRAVLJANJE NAPAK**ODSTRANITEV**

Napravo naj odstrani pooblaščen institucija za obdelavo odpadov.

Preden se stroj odstrani, vas prosimo, da se držite spodnjega podsklopa, da morajo biti spoštovani ustrezni zakoni in predpisi, ki zahtevajo odvažanje na primeren način.

- Ščetka/držalo blazinice
- Plastična cev in plastični deli
- Električne ali elektronske komponente (*)

(*) V primeru uničenja kakršnih koli električnih ali elektronskih komponent se obrnite na servisni center našega podjetja.

Sestava materialov naprave in možnost reciklaže

Vrsta	Delež za reciklažo	WOLF130 Odstotek teže %
Električni motorji – različno	20 %	22 %
Železni materiali	80 %	20 %
Kabelski sklop	80 %	1 %
Tekočine	100 %	0 %
Plastični material, ki ni za reciklažo	0 %	1 %
Plastični material, ki je za reciklažo	100 %	45 %
Guma	20 %	1 %

INLEDNING

**OBS!**

Siffrorna inom parentes hänvisar till de komponenter som visas i avsnittet Maskinbeskrivning.

GUIDENS SYFTE OCH INNEHÅLL

Syftet med denna bruksanvisning är att ge operatören all grundläggande information samt information om tekniska egenskaper, drift, maskininaktivitet, reservdelar och säkerhetsvillkor etc.

Innan maskinen används, måste operatörer och kvalificerade tekniker läsa bruksanvisningen noga. Kontakta vårt företag om du har frågor om anvisningarna eller för ytterligare information.

FÖRVARING AV BRUKSANVISNINGEN

Bruksanvisningen måste förvaras i närheten av maskinen, i en lämplig låda på avstånd från vätskor och andra ämnen som kan orsaka skador på den.

FÖRSÄKRAN OM ÖVERENSSTÄMMELSE

Försäkran om överensstämmelse levereras tillsammans med maskinen och intygar att maskin överensstämmer med gällande lag.

**OBS!**

Kopior av den ursprungliga försäkran om överensstämmelse tillhandahålls tillsammans med maskinens dokumentation.

TILLBEHÖR OCH UNDERHÅLL

Drift, underhåll och reparation måste utföras av kvalificerad personal eller av ett servicecenter som utsetts av vårt företag. ENDAST godkända reservdelar och tillbehör bör användas.

Kontakta vårt företags kundtjänst för tjänster eller köp av tillbehör eller reservdelar.

FÖRÄNDRING OCH FÖRBÄTTRING

Vi har åtagit oss att ständigt förbättra våra produkter, och företaget förbehåller sig rätten att förändra och förbättra maskinen utan föregående meddelande.

ANVÄNDNINGSOMRÅDEN

Maskinen är avsedd för kommersiell användning. Den är enbart utformad för användning inomhus. Använd bara rekommenderade tillbehör.

MASKINENS IDENTIFIKATIONSUPPGIFTER

Maskinens serienummer och modellnamn anges på namnskylten.

Denna information är användbar. Använd följande tabell för att skriva ner maskinens identifieringsuppgifter vid förfrågan av reservdelar för maskinen.

MASKINMODELL
MASKINENS SERIENUMMER

TRANSPORT OCH UPPACKNING

Kontrollera transportkartongen noggrant för tecken på skador. Rapportera eventuella kartongskador till transportören omedelbart.

Kontrollera kartongens innehåll för att säkerställa att kartongen är komplett. Kontakta din distributör om något saknas.

Innehåll:

- Mattfläcksborttagare
- Uppsugnings- och lösningsslangar
- Handverktyg

SÄKERHET

Följande symboler anger potentiellt farliga situationer. Läs alltid informationen noggrant och vidta alla nödvändiga försiktighetsåtgärder för att skydda personer och egendom.

SYNLIGA SYMBOLER PÅ MASKINEN



VARNING!

Läs alla instruktionerna noggrant innan du utför något arbete på maskinen.



VARNING!

Tvätta inte maskinen med direkt eller trycksatt vattenstråle.

SYMBOLER SOM VISAS I BRUKSANVISNINGEN



FARA!

Anger en farlig situation med risk för dödsfall för operatören.



VARNING!

Anger en potentiell risk för personskada.



OBSERVERA!

Anger en varning eller en anmärkning i samband med viktiga eller användbara funktioner. Var uppmärksam på de punkter som är markerade med denna symbol.



OBS!

Anger en anmärkning i samband med viktiga eller användbara funktioner.



RÅD

Anger att man bör läsa anvisningen i användarhandboken innan man utför några åtgärder.

ALLMÄNNA SÄKERHETSANVISNINGAR

Allmänt – Denna mattfläckborttagningsmaskin ska jordas när den används för att skydda operatören från elektriska stötar. Maskinen levereras med en jordningskontakt med tre kontakter för att passa rätt jordningskontakt. Den gröna (eller gröna & gula) ledaren i sladden är jordningskabeln. Anslut aldrig denna kabel till något annat än jordningsstiftet på fästpluggen.

Denna maskin är avsedd för användning på en nominell 220-240 V krets och har en jordningsplugg som liknar pluggen som visas i figuren nedan. Se till att maskinen är ansluten till ett uttag med samma konfiguration som kontakten. Ingen adapter ska användas på denna maskin.

Särskilda varningar och försiktighetsåtgärder för att informera om eventuella skador på människor och maskin visas nedan.

**FARA!**

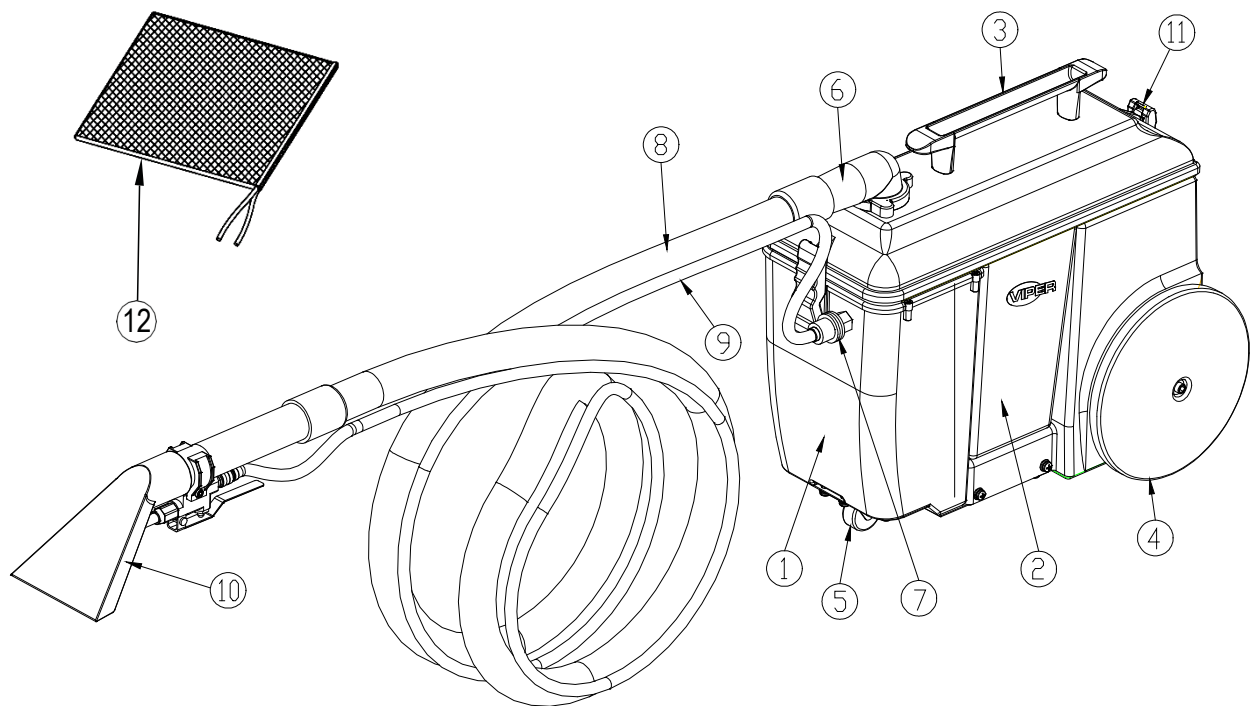
- Denna maskin måste användas av utbildad och auktoriserad personal med vägledning av handboken.
- Innan rengöring, underhåll, reparation eller utbyte utförs, läs alla instruktionerna noga, se till att STÄNGA AV maskinen.
- Använd inte maskinen i närheten av giftiga, farliga, brandfarliga och/eller explosiva pulver, vätska eller ånga. Denna maskin är inte lämplig för uppsugning av farligt pulver.
- Bär inte smycken när du arbetar nära elektriska komponenter.
- Arbeta inte under upplyft maskin utan att stödja den med säkerhetsstöd.

**VARNING!**

- Denna maskin är avsedd för KOMMERSIELLT BRUK, till exempel på hotell, skolor, sjukhus, fabriker, i butiker, på kontor samt i uthyrningsbranschen.
- Maskiner som lämnas utan uppsikt ska säkras mot oavsiktlig rörelse.
- För att förhindra obehörig användning av maskinen ska strömkällan stängas av eller låsas.
- Kontrollera maskinen noggrant före varje användning. Kontrollera att alla komponenter är ordentligt monterade före användning. Lösa komponenter kan orsaka skador på människor och egendom.
- Flytta aldrig maskinen genom att dra den i kabeln. Om kabeln ligger i en dörröppning stäng inte dörren eller vira den inte runt vassa kanter eller hörn. Kör inte maskinen kabeln. Håll kabeln borta från varma ytor.
- För att minska risken för brand, elektriska stötar eller skada, se till att maskinen är avstängd när den inte används.
- Använd eller förvara maskinen inomhus i torra förhållanden. Den bör inte användas för utomhusbruk.
- Maskinens förvarings- och arbetstemperatur måste vara mellan 0 °C och + 40 °C, luftfuktigheten måste vara mellan 30 % och 95 %.
- Använd inte maskinen på sluttande underlag med en lutning som överskrider den som anges i specifikationerna.
- Vid användning och hantering av rengöringsmedel för golvrengöring, följ instruktionerna på flasketiketten och bär lämpliga skyddshandskar och annan skyddsutrustning.
- Vid maskinfel, kontrollera att det inte beror på bristande underhåll. Vid behov, begär hjälp från auktoriserad personal eller från ett auktoriserat servicecenter.

- Vidta alla nödvändiga försiktighetsåtgärder för att förhindra att hår, smycken och löst sittande kläder inte fastnar i maskinen rörliga delar.
- Använd inte maskinen i mycket dammiga miljöer.
- Tvätta inte maskinen med direkt eller högtrycks-vattenstråle eller med frätande ämnen.
- Stöt inte till hyllor eller ställningar, särskilt när det finns risk för fallande föremål.
- Ställ inte vätskebehållare på maskinen, använd burkhållaren.
- Vid brand, använd en pulverbrandsläckare. Använd inte flytande brandsläckare.
- Ta inte bort eller ändra maskinens etiketter (märkning).
- Var försiktig om maskinen transporteras när temperaturen är under fryspunkten. Vattnet i återvinningsbehållaren och i slangarna kan frysa och orsaka allvarlig skada på maskinen.
- Om reservdelar behöver bytas ut, beställ ORIGINALreservdelar från en auktoriserad återförsäljare.
- Lämna tillbaka maskinen till serviceverkstaden om den inte fungerar som vanligt eller är om den är skadad.
- För att säkerställa en korrekt och säker maskindrift, måste det schemalagda underhållet som visas i relevant avsnitt av denna handbok utföras av auktoriserad personal eller en auktoriserad serviceverkstad eller återförsäljare.
- Denna maskin är endast ett rengöringsredskap, den är inte avsedd för andra ändamål.
- Se alltid till att öppningarna inte innehåller damm, hår och annat främmande material som kan minska luftflödet. Använd inte maskinen om öppningarna är igentäppta.
- Använd maskinen endast om en ordentlig belysning finns.
- Denna maskin är inte avsedd att användas av personer (inklusive barn) med nedsatt fysisk, sensorisk eller psykisk förmåga eller bristande erfarenhet och kunskap.
- Särskild uppmärksamhet krävs när den används nära barn.
- Barn ska hållas under uppsikt så att de inte leker med maskinen.
- När du använder denna maskin, se till att inte orsaka skador på människor eller föremål.
- Rengöring och underhåll får inte utföras av barn som inte hålls under uppsikt.
- Operatörer ska få lämpliga instruktioner om användningen av dessa maskiner.
- Denna enhet har en jordanslutning endast för funktionella ändamål
- Om nätsladden är skadad, måste den bytas av tillverkaren, dess serviceagent eller liknande kvalificerade personer för att undvika en fara.
- Ta bort kontakten från uttaget under rengöring eller underhåll och vid byte av delar eller konvertering av maskinen till en annan funktion

MASKINBESKRIVNING
MASKINKONSTRUKTION

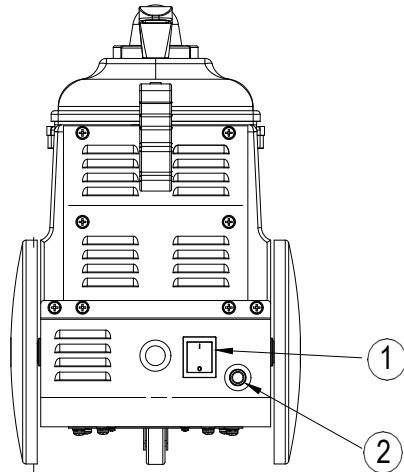


Figur 1

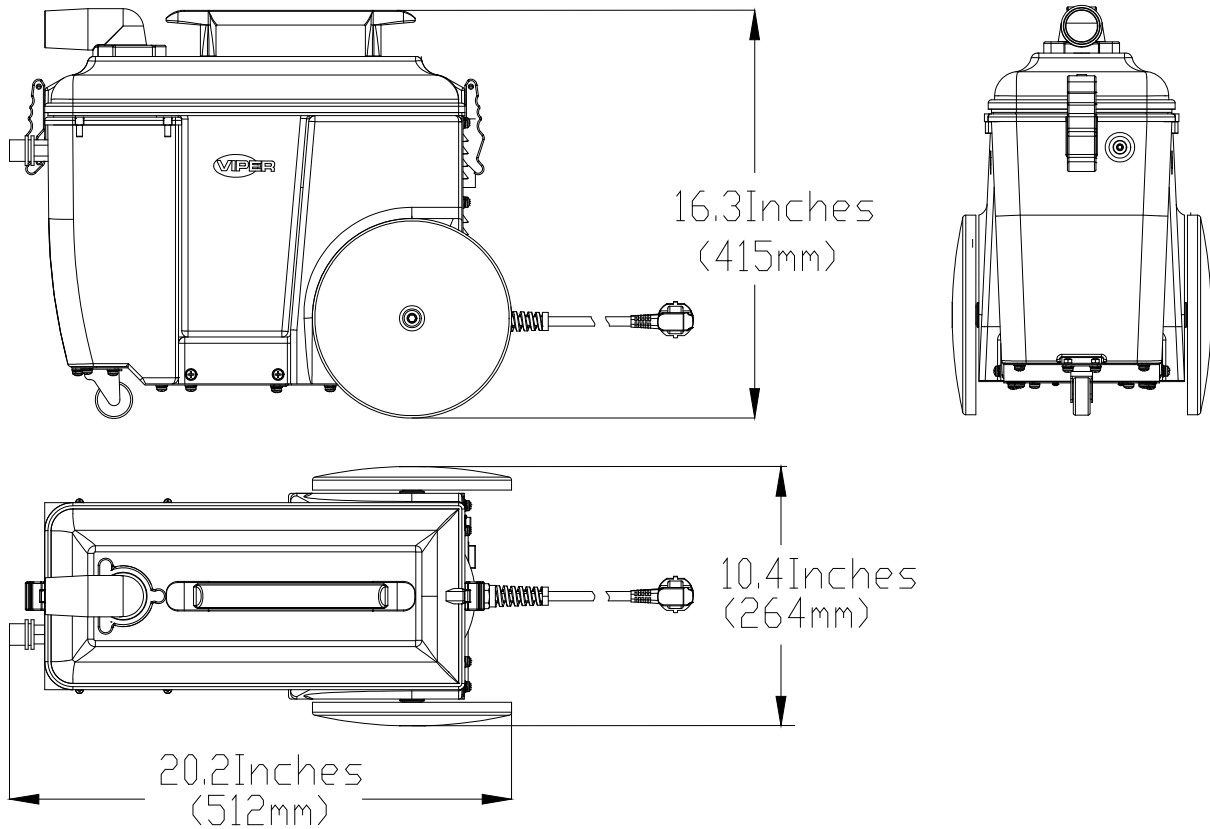
- | | |
|------------------------------|--------------------------------|
| 1. Lösningstank | 7. Lösningsslangens anslutning |
| 2. Återvinningsbehållare | 8. Vakuumslang |
| 3. Handtag | 9. Lösningsslang |
| 4. Transporthjul | 10. Handverktyg |
| 5. Framhjul | 11. Klämma |
| 6. Vakuumslangens anslutning | 12. Blå tillbehörspåse |

KONTROLLPANEL

1. Strömbrytare
2. Överbelastningsskydd



MASKINSTORLEK

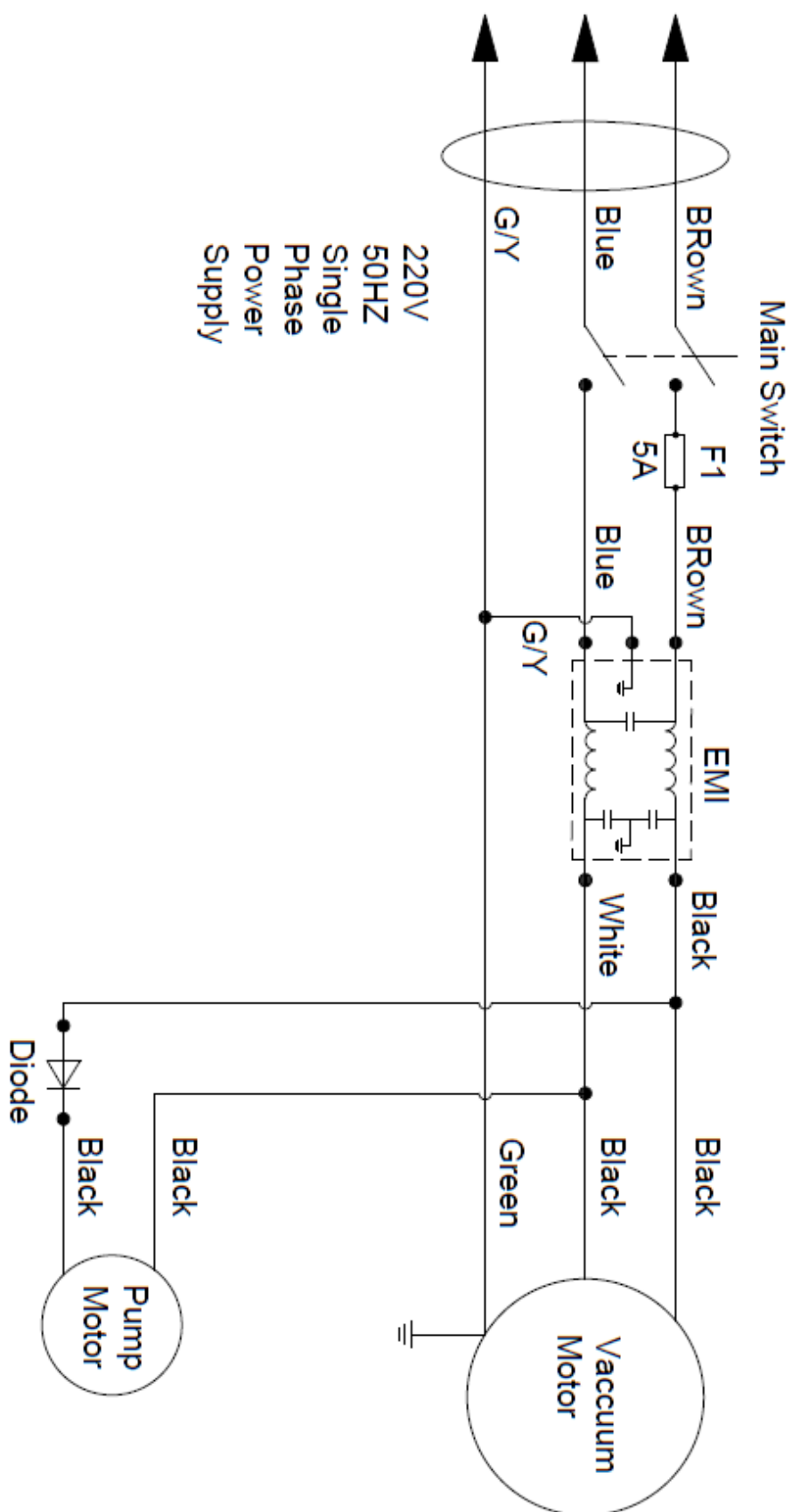


TEKNISKA PARAMETRAR

Modeller	EU	UK	TURKEY
Masterbeskrivning	WOLF130		
Referensnr. Lagerkod	50000589	50000604	50000603
Spänning	220-240V		
Sugmotor	1000 W		
Ampereförbrukning	4.7 ampere		
Vikt	9.85kg		
Leveransvikt	29.8lbs (13.5 kg)		
Ljudeffektnivå	80 dB		
Ljudnivå	67 dB A		
Tryck lösningspump	30PSI (2bar)		
Vattenlyft (Max vakuum)	85 tum H ₂ O (21.8 KPa)		
Nätsladd ft	10 m, säkerhetsorange		
Rengöringsväg tum	4" (10.2 cm)		
Lösnings- och återvinningsbehållare gallon	3.8L		
Lösnings- och vakuumslangar ft	3M		
Mått L x B x H	23.3 x 15.4 x 19.3 in (59 x 39 x 49 cm)		

(*): Tillval

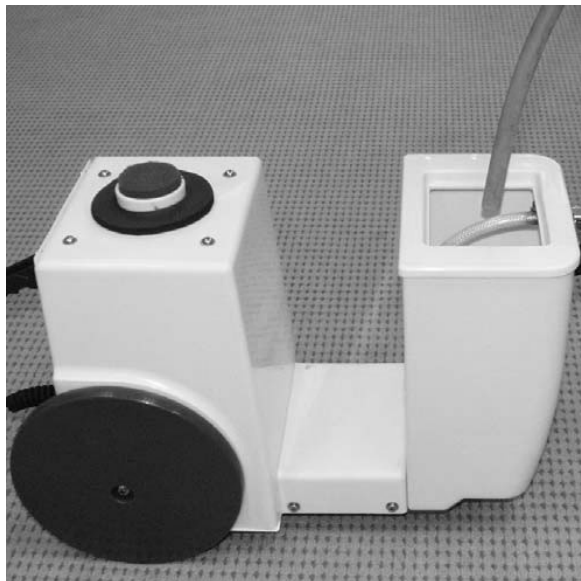
KOPPLINGSSHEMA



BRUKSANVISNING

Läs bruksanvisningen noggrant innan du använder eller servar denna maskin

- 1) Använd en slang eller hink och fyll tanken med högst 1 gallon vatten (vattentemperaturen är lägre än 50 °C).



Använd inte brandfarliga vätskor eller använd inte maskinen i eller nära brandfarliga vätskor eller ångor

- 2) Anslut lösningsslangen och vakuumslangen till maskinen.
- 3) Anslut nätkabeln till ett jordat vägguttag. (se jordningsanvisningar)

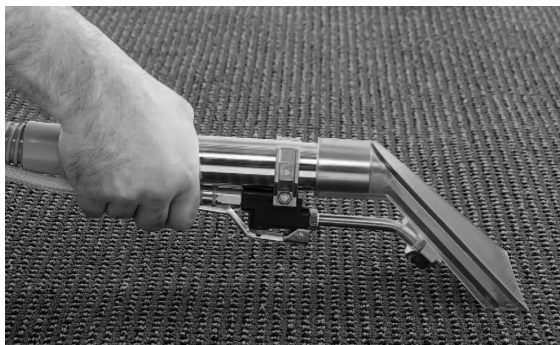
MASKINENS DRIFT

INNAN DU TAR BORT FLÄCKAR

- 1) Kontrollera att nätkabeln inte är skadad. Om skador påträffas, byt kabel.
- 2) Dammsug mattan för att ta bort skräp innan fläcken tas bort.

FLÄCKBORTTAGNING

- 1) Placera strömbrytaren i läge "I".
OBS! Lösningen sprutar endast när sprayhandtaget (på handverktyget) dras.
- 2) Börja rengöringen genom att dra sprayhandtaget (handverktyget) och börja dra verktyget bakåt över fläcken.
- 3) Släpp sprayhandtaget när du har nått änden av fläcken. Fortsätt att dra tillbaka handverktyget ytterligare 4 tum för att få upp överskottslösningen.



- 4) Fortsätt tills fläcken är borta.

DRIFTSTIPS

- 1) Använd endast kallt vatten. Varmt vatten kan orsaka fläckar.
- 2) Kontrollera kontinuerligt om det finns skumbildning i återvinningsbehållaren. Använd en skumkontrollösning som rekommenderas av återförsäljaren.
OBS! Överdriven skumbildning kommer att orsaka skador på vakuummotorn.
- 3) Upprepa extraktionsvägen i mycket smutsiga områden.
- 4) När återvinning av den smutsiga lösningen är slut, eller lösningsbehållaren är tom, måste du tömma återvinningsbehållaren. (se TÖMNING AV BEHÅLLARE)

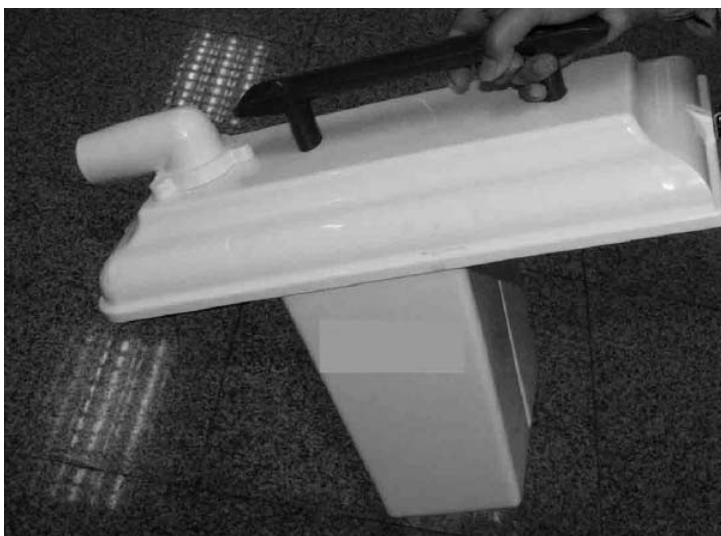
TÖMMA BEHÅLLARE

TÖMMA LÖSNINGSBEHÅLLARE

- 1) Stäng av maskinen och dra ut stickkontakten ur vägguttaget.
- 2) Lossa lösnings- och vakuumslangarna från maskinens framsida.
- 3) Haka av klämmorna på återvinningsbehållaren och ta bort återvinningsbehållaren från maskinen.
- 4) Bär lösningsbehållaren till ett godkänt avlopp och töm ut innehållet.

TÖMMA ÅTERVINNINGSBEHÅLLARE

- 1) Stäng av maskinen och dra ut stickkontakten ur vägguttaget.
- 2) Haka av klämmorna på återvinningsbehållaren och ta bort återvinningsbehållaren från maskinen.
- 3) Bär återvinningsbehållaren till ett godkänt avlopp och töm ut innehållet.



- 4) Skölj återvinningsbehållaren med rent vatten.
- 5) Sätt ihop maskinen igen.

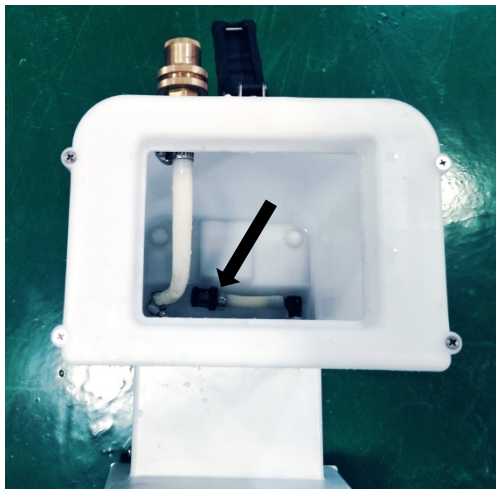
UNDERHÅLL

Följ följande underhållsprocedurer för att garantera maskinens hållbarhet.

!!! Säkerställ att maskinen är urkopplad innan underhåll eller reparationer utförs!!!

DAGLIGT UNDERHÅLL

- 1) När rengöringen är klar för dagen, töm och skölj återvinningsbehållaren noggrant med rent vatten.
- 2) Ta bort återstående lösning från lösningsbehållaren.
- 3) Ta bort vakuumfiltret och skölj med rent vatten.
- 4) Sätt tillbaka filtret när det är torrt.



- 5) Avlägsna och inspektera sprutstrålen. Rengör strålen om nödvändigt.

OBS! Rengör inte strålen med ett spetsigt föremål, eftersom detta skadar strålen.

- 6) Kontrollera borstlisten och ta bort eventuellt skräp eller mattfibrer.
- 7) Kontrollera lyftverktyget och ta bort skräp eller mattfibrer.
- 8) Rengör maskinen med icke-slipande rengöringsmedel.
- 9) Kontrollera att nätkabeln inte är skadad. Byt ut vid behov.

MÅNATLIGT UNDERHÅLL

- 1) Spola pumpen och rör med en ättiksyralösning för att lösa upp eventuell kemisk ansamling.
Blandningsinstruktioner:
 - a. Förblanda 8 oz. av en ättiksyralösning med 1 gallon vatten och häll i lösningsbehållaren.
Slå på vakuumpomkopplaren.
 - b. Placera golvverktygshuvudet över golvbrunnen och tryck på lösningsavtryckaren i en (1) minut.
 - c. Stäng av maskinen och låt resten av lösningen vara kvar i maskinen över natten.
 - d. Följande dag spraya ut återstående lösning och spola systemet igen med 1 gallon rent vatten.
- 2) Inspektera maskinen för vattenläckage.
- 3) Kontrollera maskinen avseende lösa eller saknade muttrar, skruvar och bultar, och byt ut dem vid behov.

MASKINFÖRVARING

- 1) Innan maskinen ställs undan, se till att lösnings- och återvinningsbehållarna är rena och tomma på lösning.
- 2) Förvara maskinen i upprätt läge i ett torrt område, med vakuumslangen borttagen för luftcirkulation.
OBS! Om du förvarar maskinen i ett område som kan frysa, se till att båda behållarna och lösningens avlopp är tomma på vatten och torra!

GRUNDLÄGGANDE FELSÖKNING

Problem	Möjliga orsaker	Åtgärd
Maskinen fungerar inte	Ej ansluten till strömkällan	Anslut till ett jordat uttag
	Defekt nätkabel	Kontakta återförsäljaren
	Defekt förlängningsströmkabel	Byt till ny förlängningsströmkabel
	Byggnadens krets brytare utlöst	Återställ krets brytare
Lösningsspray fungerar inte	Vakuumpomkopplare inte påslagen	Slå på omkopplare
	Vakuumpomkopplare defekt	Kontakta återförsäljaren
	Defekt solenoid	Kontakta återförsäljaren
	Defekt lösningsspray	Kontakta återförsäljaren
	Pump överhettad	Fastställ orsaken och låt pumpen svalna i 30 minuter
	Löst eller trasigt kablage	Kontakta återförsäljaren
Vakuumpump fungerar inte	Vakuumpomkopplare inte påslagen	Slå på omkopplare
	Vakuumpomkopplare defekt	Kontakta återförsäljaren
	Vakuumpumpens termiska överbelastning utlöst	Kontrollera om det finns hinder och låt svalna i 30 minuter
	Defekt vakuumpump	Kontakta återförsäljaren
	Slitna kolborstar	Kontakta återförsäljaren
	Löst eller trasigt kablage	Kontakta återförsäljaren
Dålig uppsugning	Luftläckage runt återvinningspackningen	Se till att återvinningslocket är ordentligt åtdraget
	Vakuumpackning skadad eller sliten	Byt packning
	Vakuumslangens anslutningar lösa	Se till att vakuumslangens anslutningar är åtdragna
	Defekt vakuumslang	Byt vakuumslang
	Vakuumslangens klämmor lösa	Se till att klämmorna sitter fast i höljet
	Vakuumslangen blockerad	Ta bort blockering från vakuumslangen
Ojämn eller ingen lösningsspray	Lösningsspraybehållaren är tom eller låg	Fyll lösningsspraybehållaren
	Vakuumpomkopplare inte påslagen	Slå på omkopplare
	Smutsiga eller pluggade spraymunstycken	Rengör eller byt ut spraymunstycken
	Fel storlek på spraymunstycke eller sprutvinkel	Kontakta återförsäljaren
	Slitna spraymunstycken	Kontakta återförsäljaren
	Defekt lösningsspray	Kontakta återförsäljaren
	Blockerat filter för lösningsspraybehållare	Rengör eller byt filtret
	Klämd eller veckad lösningsslang	Kontrollera om det finns hinder och veck och dirigera om eller byt ut vid behov

FELSÖKNING**SKROTNING**

Skrota maskinen på en kvalificerad avfallshanteringsstation.

Innan maskinen skrotas, ta bort och avskilj delarna enligt gällande lagar och förordningar delete.

- Borst-/dynhållare
- Plastslang och plastdetaljer
- Elektriska och elektroniska komponenter (*)

(*) Kontakta vårt servicecenter för att förstöra alla elektriska och elektroniska komponenter.

Maskinmaterialets beståndsdelar och återvinningsbarhet

Typ	Återvinningsprocent	WOLF130 viktprocent%
Olika elektriska motorer	20%	22%
Järnhaltiga material	80%	20%
Kablage	80%	1%
Vätskor	100%	0%
Icke återvinningsbara plastmaterial	0%	1%
Återvinningsbara plastmaterial	100%	45%
Gummi	20%	1%

GİRİŞ**NOT**

Parantez içerisindeki numaralar Makine Tanıtımı bölümünde gösterilen bileşenlere işaret etmektedir.

KILAVUZUN AMACI VE İÇERİĞİ

Bu kullanım kılavuzunun amacı, operatöre tüm temel bilgiler ve teknik özellikler, işletim bilgileri, makine arızaları, yedek parçalar ve güvenlik koşulları, vb. gibi bilgileri sağlamaktır.

Makine üzerinde herhangi bir prosedür gerçekleştirmeden önce, operatörler ve teknik personel bu Kullanım Kılavuzunu dikkatlice okumalıdır. Talimatlarla ilgili aklınıza takılan herhangi bir soru olması durumunda veya daha fazla bilgi edinmek için bizimle iletişime geçin.

KULLANIM KILAVUZUNUN SAKLANMASI

Kullanım Kılavuzu makinenin yakınında, uygun bir kılıf içerisinde ve herhangi bir hasar görebileceği sıvı veya diğer maddelerden uzakta bulundurulmalıdır.

UYGUNLUK BİLDİRİMİ

Makine ile birlikte verilen Uygunluk Bildirimi, makinenin yürürlükte olan yasalara uyumlu olduğunu tasdik etmektedir.

**NOT**

Orijinal uygunluk bildiriminin kopyaları makine belgeleri ile birlikte sunulmuştur.

AKSESUARLAR VE BAKIM

Gerekli olan tüm işletme, bakım ve onarım prosedürleri kalifiye personel veya şirketimizce belirlenen servis merkezi tarafından yerine getirilmelidir. SADECE yetkilendirilmiş olan yedek parçalar ve aksesuarlar kullanılmalıdır.

Herhangi bir servis, aksesuar veya yedek parça ihtiyacı olduğunda şirketimiz müşteri hizmetleri ile irtibata geçin.

DEĞİŞİKLİK VE GELİŞTİRMELER

Ürünlerimizi sürekli olarak geliştiriyoruz. Şirketimiz ilave bilgi vermeksizin makinede değişiklik ve geliştirme yapma hakkını saklı tutmaktadır.

UYGULAMA ALANI

Bu makine ticari kullanım içindir. Kapalı bir ortamda kullanılmak üzere yapılmıştır ve başka bir kullanım için tasarlanmamıştır. Yalnızca önerilen aksesuarları kullanın.

MAKİNE TANIMLAMA VERİSİ

Makine seri numarası ve model adı etiket üzerinde işaretlenmiştir.

Bu bilgi kullanışlıdır. Makine için yedek parça isteği yaparken makine tanımlama bilgilerini yazmak için aşağıdaki tabloyu kullanınız.

MAKİNE MODELİ.....
MAKİNE SERİ NUMARASI

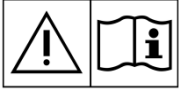
TAŞIMA VE PAKETİN AÇILMASI

Nakliye kartonunun hasar belirtisi gösterip göstermediğini dikkatlice kontrol edin. Her türlü karton hasarını derhal taşıyıcıya bildirin. Kartonun eksiksiz olduğundan emin olmak için karton içeriğini kontrol edin. Eksik bir şey varsa distribütörünüze başvurun. İçindekiler:

- Halı Leke Çıkarıcı
- Vakum ve Solüsyon hortumları
- El aleti

GÜVENLİK

Aşağıdaki semboller potansiyel olarak tehlikeli durumları ifade etmektedir. Bu bilgiyi daima büyük bir dikkatle okuyun ve insanların ve eşyaların güvenliğini sağlamak için gereken tüm tedbirleri alın.

MAKİNE ÜZERİNDEKİ GÖRÜNÜR SEMBOLLER**UYARI!**

Makine üzerinde herhangi bir operasyon gerçekleştirmeden önce tüm talimatları dikkatlice okuyun.

**UYARI!**

Makineyi doğrudan veya basınçlı su ile yıkamayın.

KULLANIM KILAVUZUNDA YER ALAN SEMBOLLER**TEHLİKE!**

Operatörün ölüm riski de dâhil olmak üzere tehlikeli bir durumu göstermektedir.

**UYARI!**

İnsanların karşılaşabileceği potansiyel yaralanma riskini gösterir.

**DİKKAT!**

Önemli veya faydalı fonksiyonlara ilişkin bir uyarıyı veya işareti belirtir. Bu sembol ile işaretlenen paragraflara dikkat edin.

**NOT**

Önemli veya kullanım fonksiyonlarına işaret etmektedir.

**DANIŞMA**

Herhangi bir prosedür gerçekleştirmeden önce Kullanım Kılavuzuna bakma gerekliliğini göstermektedir.

GENEL GÜVENLİK TALİMATLARI

Genel – Bu halı leke çıkarma makinesi, operatörü elektrik çarpmasından korumak için kullanılırken topraklanmalıdır. Makinede, düzgün bir topraklı tip prize uyması için üç kontak noktalı topraklı tip bağlantı fişi vardır. Kablodaki yeşil (veya yeşil - sarı) iletken topraklama iletkenidir. Bu kabloyu asla bağlantı fişinin topraklama pimi dışında bir yere bağlamayın.

Bu makine nominal 220-240 voltluk bir devrede kullanmak içindir ve aşağıdaki şekilde gösterilen fişe benzer bir topraklı fişe sahiptir. Makinenin fişle aynı yapılandırmaya sahip bir prize bağlı olduğundan emin olun. Bu makine ile adaptör kullanılmamalıdır.

İnsanlara ve makineye karşı meydana gelebilecek potansiyel hasarlar hakkında bilgi vermek için belirlenen uyarı ve dikkat çekilecek hususlar aşağıda gösterilmiştir.

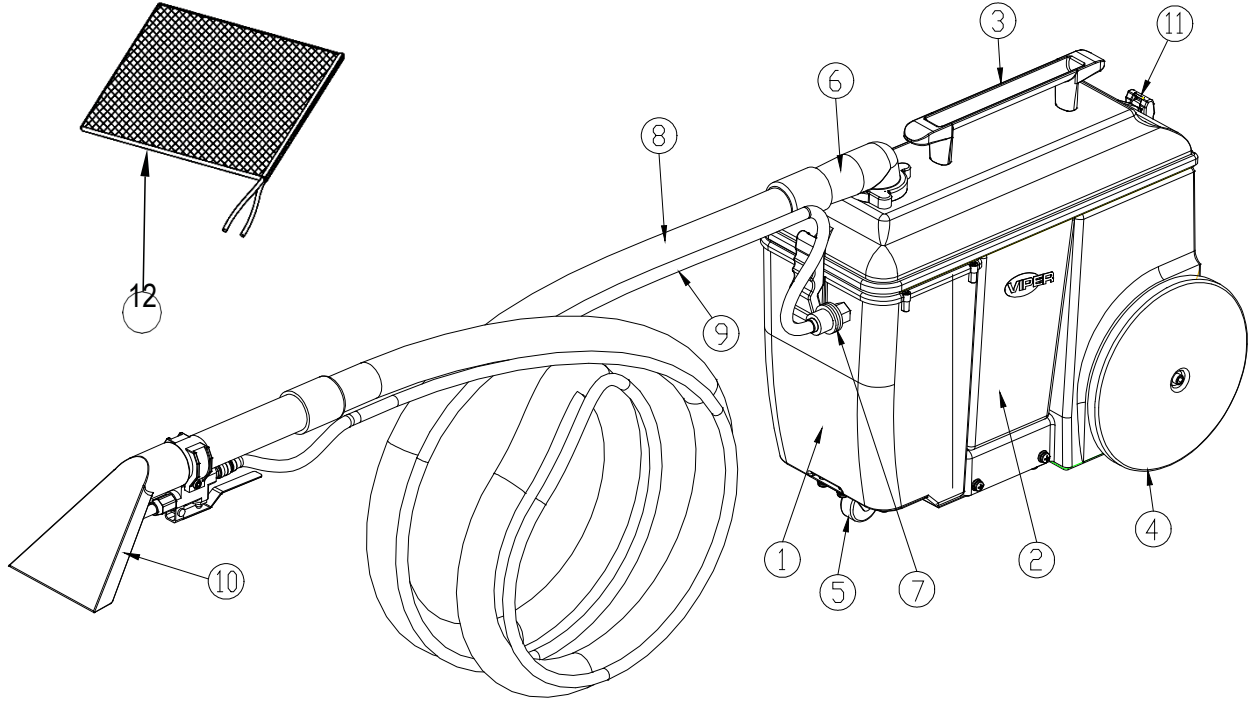
**TEHLİKE!**

- Bu makine eğitimli ve yetkili bir personel tarafından kılavuza uygun olarak çalıştırılmalıdır.
- Herhangi bir temizlik, bakım, tamirat veya değişim işlemi gerçekleştirmeden önce bütün talimatları dikkatlice okuyun, makineyi KAPATTIĞINIZDAN emin olun.
- Makineyi zehirli, tehlikeli, yanıcı ve/veya patlayıcı toz, sıvı veya buharların yakınında çalıştırmayın. Makine tehlikeli tozların toplanması için uygun değildir.
- Elektrikli donanım yakınında çalışırken ziynet eşyası takmayın.
- Güvenlik dayanakları ile desteklemeden, lifte alınmış makine altında çalışmayın.

**UYARI!**

- Bu makine TİCARİ KULLANIM amaçlıdır (oteller, okullar, hastaneler, fabrikalar, mağazalar, ofisler ve kiralık işletmeler gibi).
- Gözetimsiz bırakılan makinelerin, istemsiz yapılan eylemlere karşı güvenliğini sağlayın.
- Makinenin yetkisiz kullanımını önlemek için güç kaynağı kapatılmalı veya kilitlenmelidir.
- Her kullanım öncesi makineyi dikkatli bir şekilde kontrol edin. Kullanımdan önce tüm bileşenlerin doğru bir şekilde birleştiğinden emin olun. Gevşemiş bileşenler insanlara veya çevredeki nesnelere zarar verebilir.
- Makineyi asla kablosundan çekerek hareket ettirmeyin. Kabloyu asla kapalı kapıdan geçirmeyin veya keskin kenar veya köşelere sarmayın. Makineyi kablosunun üzerinden geçirmeyin. Kabloyu ısınmış yüzeylerden uzak tutun.
- Yangın, elektrik çarpması veya yaralanma riskini azaltmak için makinenin yanından ayrılmadan önce makinenin kapalı olduğundan emin olun.
- Makineyi iç mekânlarda kuru şartlarda kullanın veya saklayın. Dış mekân kullanımı için uygun değildir.
- Makinenin depolama ve çalışma sıcaklığı 0°C ile +40°C arasında, havanın nem oranı ise %30 ile %95 arasında olmalıdır.
- Makineyi özellikler bölümünde belirtilenden daha fazla eğitimde kullanmayın.
- Zemin temizleme deterjanlarını kullanırken ve bunlara muamele ederken deterjan kutuları üzerindeki etiketlerde yazan talimatlara uyun ve uygun eldiven ve koruyucu kıyafetleri giyin.
- Lütfen makinenin bakım eksikliğinden arızalanmasına müsaade etmeyin. Eğer gerekli ise yetkili personel veya yetkili Servis Merkezinden yardım isteyin.

- Saç, takı ve bol giysilerin makinenin hareket eden parçalarına takılmasını engellemek için gereken tüm önlemleri alın.
- Makineyi özellikle tozlu alanlarda kullanmayın.
- Makineyi doğrudan veya basınçlı su ile veya korozyona sebep olabilecek maddelerle yıkamayın.
- Makineyi özellikle de nesnelere düşme riskinin olduğu raf veya yapı iskelelerine çarpmayın.
- Makine üzerindeki sıvı kaplarını yatırmayın, ilgili kap tutucusunu kullanın.
- Yangın durumunda lütfen kuru toz ihtiva eden yangın söndürücü kullanın. Sıvı yangın söndürücü kullanmayın.
- Makine etiketlerini sökmeyin veya değiştirmeyin.
- Hava sıcaklığının sıfırın altında olduğu şartlarda makineyi taşırken dikkatli olun. Geri kazanım tankında veya borularda yer alan su donabilir ve makineye ciddi hasar verebilir.
- Şayet yedek parça değişimine ihtiyaç var ise Yetkili Satıcı veya Perakendecilerden ORJİNAL yedek parça siparişi verin.
- Makine olağan şekilde çalışmaz ise veya hasarlı bir durumda ise Servis Merkezine geri gönderin.
- Makinenin uygun ve güvenli kullanımını sağlamak için bu Kılavuzun ilgili bölümünde gösterilen bakım takviminde yer alan bakımlar yetkili bir personel veya yetkili Satıcı veya Perakendeciler tarafından gerçekleştirilmelidir.
- Bu makine yalnızca temizleme işlemleri için kullanılır, başka bir amaç için kullanılamaz.
- Girişleri, her zaman hava akışını azaltabilecek toz, saç ve diğer her tür yabancı maddelerden uzak tutun. Eğer girişleri tıkanık ise makineyi kullanmayın.
- Makineyi ancak uygun ışığın var olduğu şartlarda kullanın.
- Bu makine fiziksel, algısal veya zihinsel yetenekleri az olan veya deneyim ve bilgisi olmayan kişiler (çocukla dahil) tarafından kullanılmamalıdır.
- Çocukların yakınında kullanılırken çok dikkatli olunmalıdır.
- Çocuklar, makine ile oynamadıklarından emin olmak için gözetim altında bulundurulmalıdır.
- Bu makineyi kullanırken insan veya nesnelere zarar vermemesine dikkat edin.
- Temizlik ve bakım işlemleri ebeveynlerinin gözetimi olmadan çocuklar tarafından yapılmamalıdır.
- Operatörler, bu makinelerin kullanımı hakkında yeterli düzeyde bilgilendirilmelidir.
- Bu cihaz yalnızca işlevsel amaçlar için bir toprak bağlantısı içerir
- Temin edilen güç kablosu hasarlıysa, bir tehlikeyi önlemek için üretici, servis acentesi veya benzeri nitelikli kişiler tarafından değiştirilmelidir.
- Temizlik veya bakım sırasında ve parçaları değiştirirken veya makineyi başka bir işleve dönüştürürken fişin prizden çıkarılması

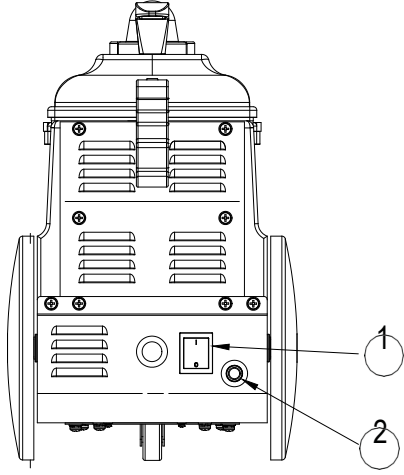
MAKİNE TANITIMI
MAKİNENİN YAPISI

Şekil 1

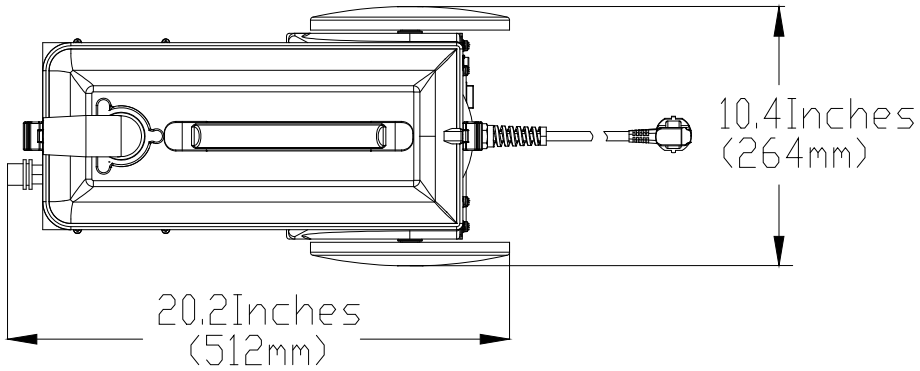
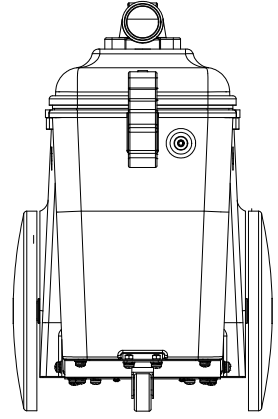
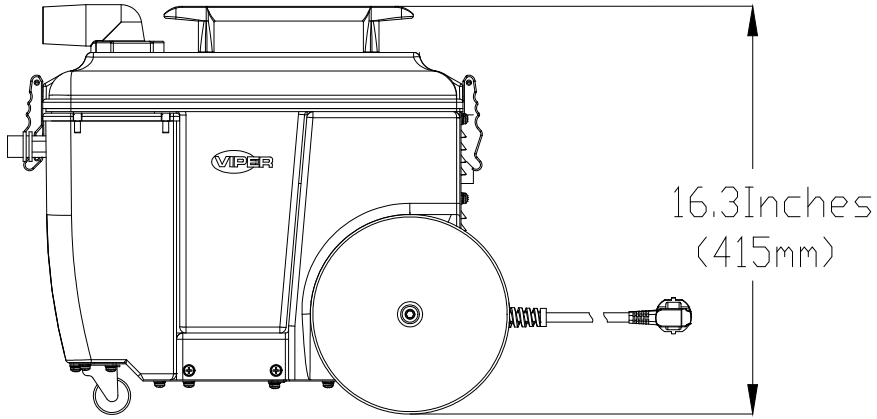
- | | |
|-----------------------------|--------------------------------|
| 1. Solüsyon Tankı | 7. Solüsyon hortumu bağlantısı |
| 2. Geri Kazanım Tankı | 8. Vakum hortumu |
| 3. Tutamak | 9. Solüsyon Hortumu |
| 4. Taşıma Tekerlekleri | 10. El Aleti |
| 5. Ön Tekerlek | 11. Kelepçe |
| 6. Vakum hortumu bağlantısı | 12. Mavi aksesuar çantası |

KONTROL PANELİ

1. Güç anahtarı
2. Aşırı Yükleme Koruyucusu



MAKİNE BOYUTU

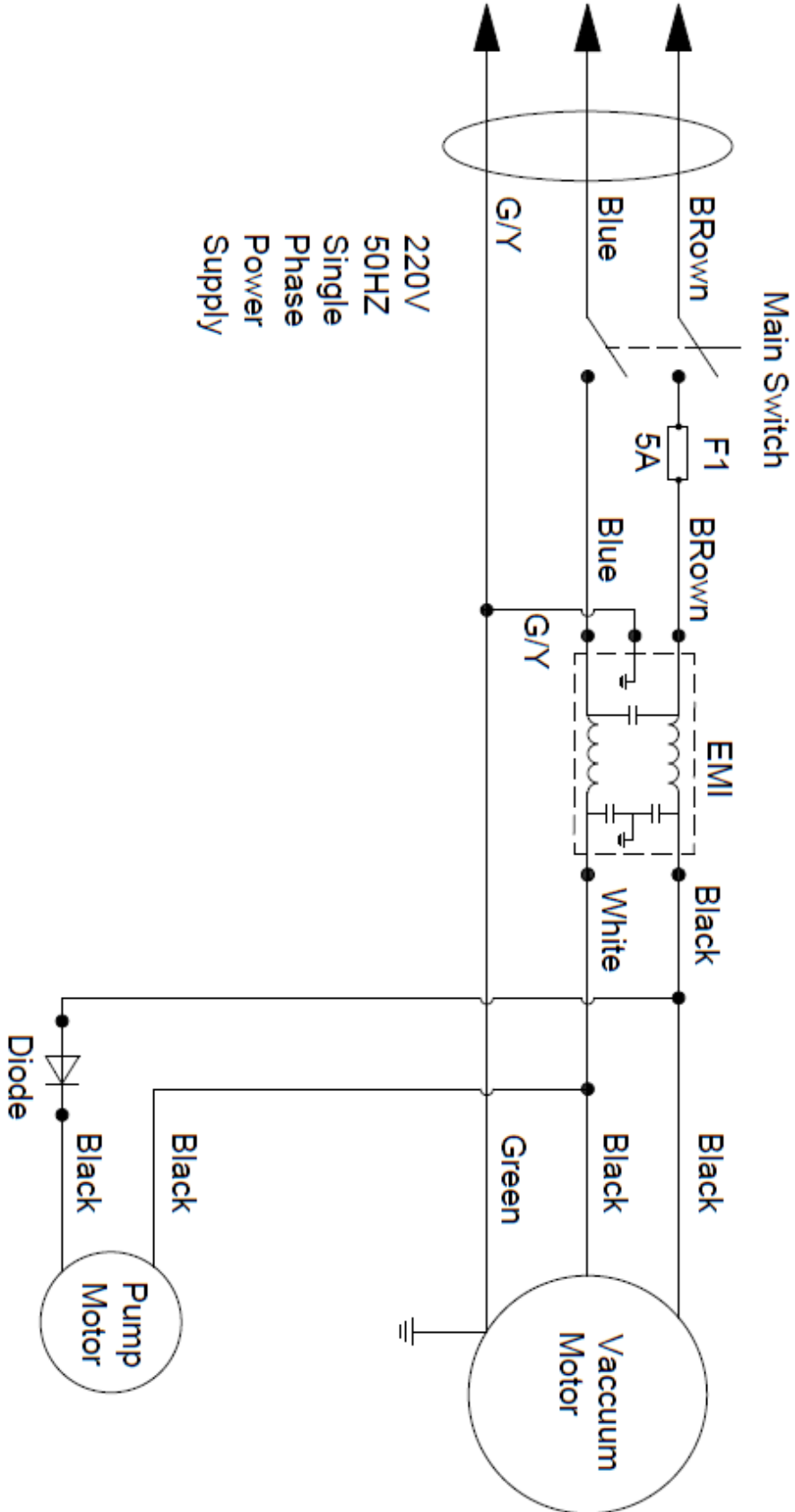


TEKNİK ÖZELLİKLER

Modeller	EU	UK	TURKEY
Ana Açıklama	WOLF130		
Ref. No. Stok kodu	50000589	50000604	50000603
Voltaj	220-240V		
Vakum Motoru	1000W		
Çekilen Amp	4.7 amp		
Ağırlık	9.85kg		
Sevkiyat ağırlığı	29.8 lb. (13.5 kg)		
Ses gücü seviyesi	80 dB		
Ses basıncı seviyesi	67 dB A		
Solüsyon pompası basıncı	30PSI (2bar)		
Su kaldırma (Maksimum vakum)	85 inç H ₂ O (21.8 KPa)		
Güç kablosu ft	10 m, Güvenlik Turuncusu		
Temizlik Yolu İnç	4" (10.2 cm)		
Solüsyon ve geri kazanım Tankı Galon	3.8L		
Solüsyon ve Vakum hortumları ft	3M		
Boyutlar U x G x Y	23.3 x 15.4 x 19.3 in (59 x 39 x 49 cm)		

(*): Opsiyonel

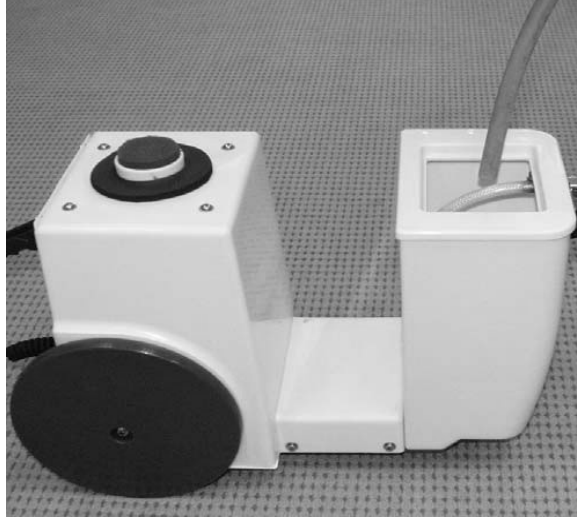
KABLO ŞEMASI



ÇALIŞTIRMA KILAVUZU

Bu makineyi çalıştırmadan veya bakımını yapmadan önce kullanım kılavuzunu iyice okuyun

- 1) Bir hortum veya kova kullanarak, tankı en çok 1 galon su ile doldurun (su sıcaklığı 50°C'den düşüktür).



Yanıcı sıvılar kullanmayın veya makineyi yanıcı sıvılar veya buharların içinde veya yakınında çalıştırmayın

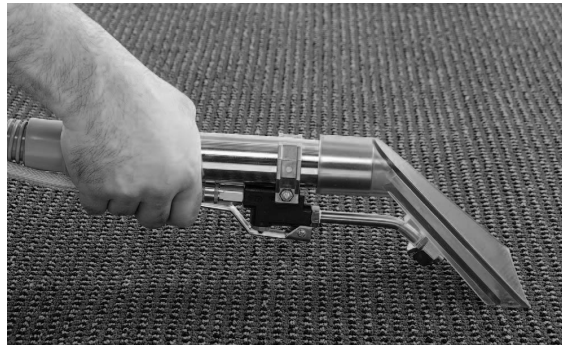
- 2) Solüsyon hortumunu ve vakum hortumunu makineye bağlayın.
- 3) Güç kablosunu topraklı bir prize bağlayın. (topraklama talimatlarına bakın)

MAKİNEİNİN ÇALIŞTIRILMASI**LEKELERİ ÇIKARMADAN ÖNCE**

- 1) Güç kablosunda hasar olup olmadığını kontrol edin. Hasar varsa kabloyu değiştirin.
- 2) Lekeyi çıkarmadan önce döküntüleri temizlemek için halıyı elektrikli süpürgeyle süpürün.

LEKE ÇIKARMA

- 1) Güç anahtarına "I" konuma getirin.
NOT: Solüsyon yalnızca püskürtme kolu (el aleti üzerinde) çekildiğinde püskürtülecektir.
- 2) Temizliğe başlamak için püskürtme kolunu (el aleti) çekin ve aleti leke üzerinde geriye doğru çekmeye başlayın.
- 3) Lekenin sonuna ulaştığınızda püskürtme kolunu serbest bırakın. Solüsyonun fazlasını almak için el aletini 4 İnç daha geriye doğru çekmeye devam edin.



- 4) Leke giderilene kadar devam edin.

ÇALIŞMAYLA İLGİLİ İPUÇLARI

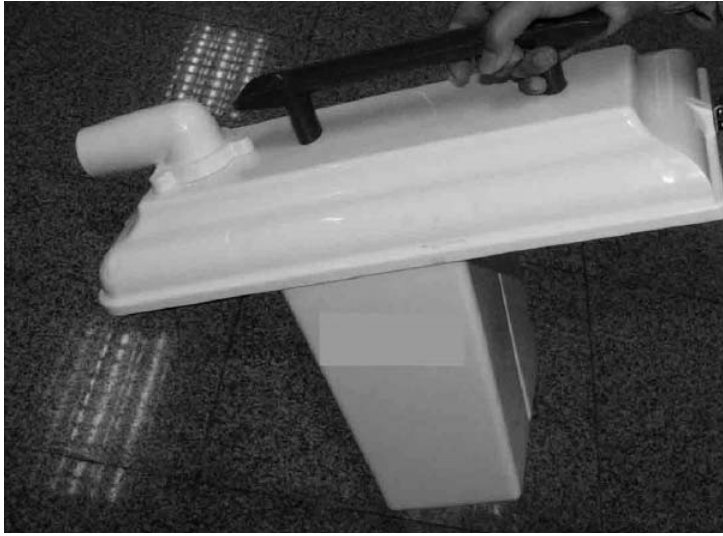
- 1) Yalnızca soğuk su kullanın. Sıcak su lekeyi kalıcı hale getirebilir.
- 2) Geri kazanım tankında köpük oluşup oluşmadığını sürekli olarak kontrol edin. Distribütör tarafından önerilen köpük kontrol solüsyonu kullanın.
NOT: Aşırı köpük birikmesi vakum motoruna zarar verecektir.
- 3) Ağır kirli alanlarda süpürme yolunu tekrarlayın.
- 4) Kirli solüsyonunu geri kazanımı sona erdiğinde veya solüsyon tankı boşaldığında, geri kazanım tankını boşaltmalısınız. (TANKIN BOŞALTILMASI kısmına bakın)

TANKLARIN BOŞALTILMASI**SOLÜSYON TANKINI BOŞALTMA**

- 1) Makineyi kapatın ve fişini güç kaynağından çekin.
- 2) Solüsyon ve vakum hortumlarını makinenin önünden ayırın.
- 3) Geri kazanım tankındaki kelepçeleri çözün ve geri kazanım tankını makineden çıkarın.
- 4) Solüsyon tankını onaylı bir drenaja götürün ve içindikileri boşaltın.

GERİ KAZANIM TANKINI BOŞALTMA

- 1) Makineyi kapatın ve fişini güç kaynağından çekin.
- 2) Geri kazanım tankındaki kelepçeleri çözün ve geri kazanım tankını makineden çıkarın.
- 3) Geri kazanım tankını onaylı bir drenaja götürün ve içindikileri boşaltın.



- 4) Geri kazanım tankını temiz su ile durulayın.
- 5) Makineyi tekrar monte edin.

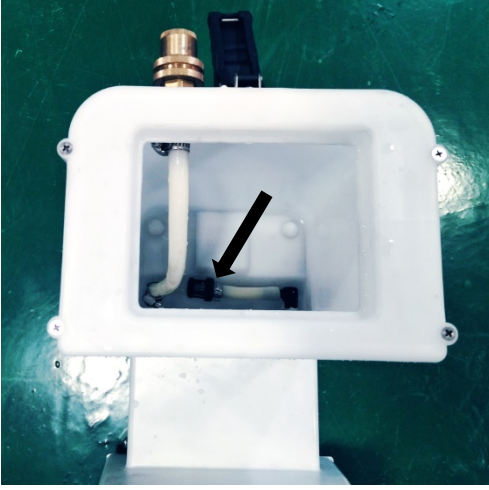
BAKIM

Makinenin uzun yıllar yüksek performans göstermesini sağlamak için lütfen aşağıdaki bakım prosedürlerini uygulayın.

!!! Herhangi bir bakım veya onarım yapmadan önce her zaman makinenin fişinin çekildiğinden emin olun!!!

GÜNLÜK BAKIM

- 1) O gün için temizlik işlemi tamamlandığında, geri kazanım tankını boşaltın ve temiz su ile iyice durulayın.
- 2) Solüsyon tankında kalan solüsyonu çıkarın.
- 3) Vakum filtresini çıkarın ve temiz su ile durulayın.
- 4) Kurduğunda filtreyi geri takın.



- 5) Püskürtme jetini çıkarın ve kontrol edin. Gerekirse jeti temizleyin.

NOT: Jetlere zarar vereceği için jeti sivri uçlu bir cisimle temizlemeyin.

- 6) Fırça şeridini kontrol edin ve kalıntıları veya halı liflerini temizleyin.
- 7) El aletindeki alma kafasını kontrol edin ve kalıntıları veya halı liflerini temizleyin.
- 8) Makineyi aşındırıcı olmayan bir temizleyiciyle temizleyin.
- 9) Güç kablosunda herhangi bir hasar olup olmadığını kontrol edin. Gerekirse değiştirin.

AYLIK BAKIM

- 1) Pompayı ve tesisatı herhangi bir kimyasal birikintiyi çözmek için sirke asidi solüsyonuyla yıkayın.
Karıştırma Talimatları:
 - a. 1 galon su ile 8 oz sirke asidi solüsyonunu önceden karıştırıp, solüsyon tankına dökün.
 Vakum / pompa anahtarını açın.
 - b. Zemin aletinin başını zemin drenajının üzerine koyun ve solüsyon tetiğini bir (1) dakika boyunca çekin.
 - c. Makineyi kapatın ve kalan solüsyonun bir gece boyunca makinede kalmasına izin verin.
 - d. Ertesi gün kalan solüsyonu püskürtün ve sistemi tekrar 1 galon temiz su ile yıkayın.
- 2) Makinede su sızıntısı olup olmadığını kontrol edin.
- 3) Makinede gevşemiş veya eksik somun, vida ve cıvata olup olmadığını kontrol edin, gerekirse değiştirin.

MAKİNEİNİN DEPOLANMASI

- 1) Makineyi depolamadan önce, solüsyon ve geri kazanım tanklarının temiz ve her türlü solüsyondan arındırılmış olduğundan emin olun.
 - 2) Makineyi kuru bir alanda, hava sirkülasyonu için vakum hortumu çıkarılmış olarak dik konumda saklayın.
- NOT: Makineyi donabileceği bir yerde saklıyorsanız, hem tankların hem de solüsyon tesisatındaki tüm suyun giderildiğinden ve tankların kuru olduğundan emin olun!*

TEMEL SORUN GİDERME

Sorun	Muhtemel Nedenler	Çözüm
Makine çalışmıyor	Fişi güç kaynağına takılı değil	Fişi bir topraklı prize takın
	Güç kablosu arızalanmış	Distribütörle iletişime geçin
	Güç uzatma kablosu arızalanmış	Yeni güç uzatma kablosuyla değiştirin
	Bina sigortası atmış	Sigortayı eski haline getirin
Solüsyon pompası çalışmıyor	Vakum / pompa anahtarı açık değil	Anahtarı açın
	Vakum / pompa anahtarı arızalı	Distribütörle iletişime geçin
	Solenoid arızalanmış	Distribütörle iletişime geçin
	Solüsyon pompası arızalanmış	Distribütörle iletişime geçin
	Pompa aşırı ısınmış	Nedenini belirleyin ve pompanın soğuması için 30 dakika bekleyin
	Gevşek veya kopuk kablolar var	Distribütörle iletişime geçin
Vakum motoru çalışmıyor	Vakum / pompa anahtarı açık değil	Anahtarı açın
	Vakum / pompa anahtarı arızalı	Distribütörle iletişime geçin
	Vakum motoru termal aşırı yük sistemi atmış	Tıkanma olup olmadığını kontrol edin ve soğuması için 30 dakika bekleyin
	Vakum motoru arızalanmış	Distribütörle iletişime geçin
	Karbon fırçalar yıpranmış	Distribütörle iletişime geçin
	Gevşek veya kopuk kablolar var	Distribütörle iletişime geçin
Makinenin çekişi zayıf	Geri kazanım contası etrafında hava sızıntısı var	Geri kazanım kapağının iyice sıkıldığından emin olun
	Vakum contası hasarlı veya yıpranmış	Contayı değiştirin
	Vakum hortumu bağlantıları gevşemiş	Vakum hortumu bağlantılarının sıkı olduğundan emin olun
	Vakum hortumu hasar görmüş	Vakum hortumunu değiştirin
	Vakum hortumu kelepçeleri gevşemiş	Kelepçelerin muhafazaya sabitlendiğinden emin olun
	Vakum hortumu tıkanmış	Vakum hortumundaki tıkanıklığı giderin
Solüsyon püskürtme düzensiz veya yok	Solüsyon tankı boş veya seviyesi düşük	Solüsyon tankını doldurun
	Vakum / pompa anahtarı açık değil	Anahtarı açın
	Püskürtme uçları kirli veya tıkanmış	Püskürtme uçlarını temizleyin veya değiştirin
	Püskürtme ucu boyutu veya püskürtme açısı uygun değil	Distribütörle iletişime geçin
	Püskürtme uçları yıpranmış	Distribütörle iletişime geçin
	Solüsyon pompası arızalanmış	Distribütörle iletişime geçin
	Solüsyon tankı filtresi tıkanmış	Filtreyi temizleyin veya değiştirin
	Çözeltili hortumu sıkışmış veya kıvrılmış	Tıkanıklıkları ve kıvrımları kontrol edin, gerekirse hortumu yeniden yönlendirin veya değiştirin

SORUN GİDERME**HURDAYA AYIRMA**

Makinenin kalifiye bir atık işleme kurumu tarafından hurdaya ayrılmasını sağlayın.

Makine hurdaya ayrılmadan önce lütfen ilgili yasa ve düzenlemelere göre uygun bir yolla elden çıkarılması gereken aşağıdaki parçaları sökün ve ayırın.

- Fırça/Keçe tutucu
- Plastik hortum ve plastik parçalar
- Elektrikli ve elektronik bileşenler (*)

(*) Lütfen herhangi bir elektrikli ve elektronik bileşenin ortadan kaldırılması konusunda servis merkezimiz ile irtibata geçin.

Makinenin malzeme bileşimi ve geri dönüşüm

Tip	Geri dönüştürülebilme yüzdesi	WOLF130 ağırlık yüzdesi %
Elektrikli motorlar-çeşitli	20%	22%
Demir malzemeler	80%	20%
Kablo demeti	80%	1%
Sıvılar	100%	0%
Plastik-geri dönüştürülemez malzeme	0%	1%
Plastik-geri dönüştürülebilir malzeme	100%	45%
Kauçuk	20%	1%

ÜRETİCİ FİRMA:

Viper Cleaning Equipment Co. Ltd.
Viper Industrial Estate Liangbian,
Liaobu, Dongguan, Guangdong
Çin Halk Cumhuriyeti
Tel: +86-769 83283988
Fax: +86-769-8328 0104

İTHALATÇI FİRMA:

Nilfisk Prof. Tem. Ek. Tic. A.Ş.
Şerifali Mah. Bayraktar Blv. Şehit Sk.
No:7, 34775 Ümraniye İstanbul Türkiye
Tel: +90 216 466 94 94
Faks: +90 216 527 30 32
www.nilfisk.com.tr

ÜRETİM YERİ:

ÇİN HALK CUMHURİYETİ

KULLANIM ÖMRÜ:

Cihazın kullanım ömrü 10 yıldır.

**ATIK ELEKTRİKLİ ELEKTRONİK
EŞYALAR (AEEE) YÖNETİMİ:**

Satın almış olduğunuz bu ürün, AEEE yönetmeliğine uygundur.

TÜKETİCİNİN SEÇİMLİK HAKLARI

Malın ayıplı olduğunun anlaşılması durumunda tüketici, 6502 sayılı Tüketicinin Korunması

Hakkında Kanununun 11 inci maddesinde yer alan;

a- Sözleşmeden dönme,

b- Satış bedelinden indirim isteme,

c- Ücretsiz onarılmasını isteme,

ç- Satılanın ayıpsız bir misli ile değiştirilmesini isteme, haklarından birini kullanabilir.

Tüketicinin bu haklardan ücretsiz onarım hakkını seçmesi durumunda satıcı; işçilik masrafı, değiştirilen parça bedeli ya da başka herhangi bir ad altında hiçbir ücret talep etmeksizin malın onarımını yapmak veya yaptırmakla yükümlüdür. Tüketici ücretsiz onarım hakkını üretici veya ithalatçıya karşı da kullanabilir. Satıcı, üretici ve ithalatçı tüketicinin bu hakkını kullanmasından müteselsilen sorumludur.

Tüketicinin, **ücretsiz onarım hakkını** kullanması halinde malın;

- Garanti süresi içinde tekrar arızalanması,
- Tamiri için gereken azami sürenin aşılması,
- Tamirinin mümkün olmadığı, yetkili servis istasyonu, satıcı, üretici veya ithalatçı tarafından bir raporla belirlenmesi durumlarında; **tüketici malın bedel iadesini, ayıp oranında bedel indirimini veya imkân varsa malın ayıpsız misli ile değiştirilmesini** satıcıdan talep edebilir.

Satıcı, tüketicinin talebini reddedemez. Bu talebin yerine getirilmemesi durumunda satıcı, üretici ve ithalatçı müteselsilen sorumludur.

Satıcı tarafından **Garanti Belgesinin** verilmemesi durumunda, tüketici **Gümrük ve Ticaret Bakanlığı Tüketicinin Korunması ve Piyasa Gözetimi Genel Müdürlüğüne** başvurabilir.

Tüketici, çıkabilecek uyuşmazlıklarda şikayet ve itirazları konusundaki başvuruları

Company information:
www.vipercleaning.eu
info-eu@vipercleaning.com

