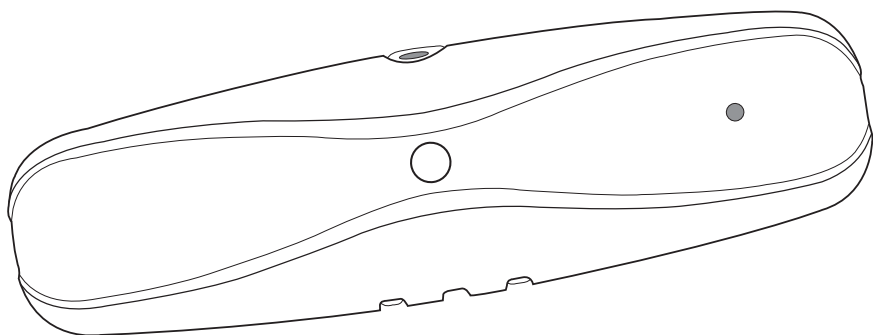
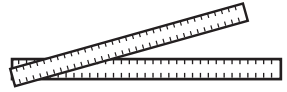
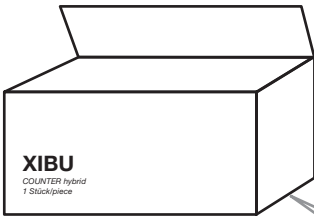
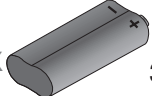


# XIBU

COUNTER hybrid

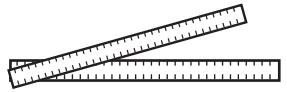
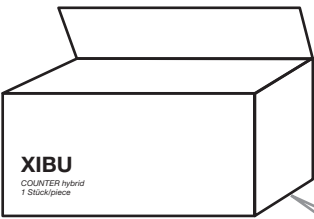
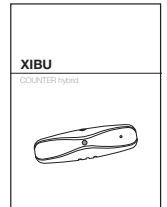
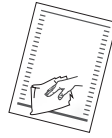
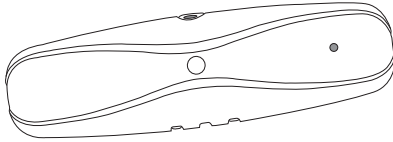


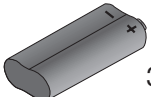


1 x  3 Volt  
energyBOX S

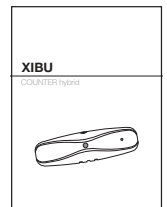
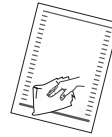
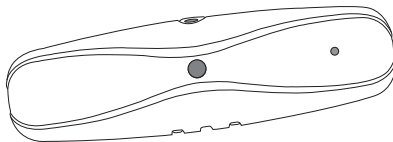


## XIBU COUNTER hybrid reflector



1 x  3 Volt  
energyBOX S



## XIBU COUNTER hybrid main




## FOR THE UNITED STATES ONLY

### General Safety Information

The following symbols and headings are used throughout this manual to indicate possible hazards to persons or equipment. The symbols and headings are shown in order of importance. For efficient and safe operation, be sure to follow the installation and operating instructions provided in this manual. In particular, all safety symbols and notices must be followed.

 <b>WARNING</b>	Indicates a potentially hazardous situation which, if not avoided, could result in serious injury or death.
 <b>CAUTION</b>	Indicates a potentially hazardous situation which, if not avoided, could result in minor personal injury.
<b>NOTICE</b>	This safety warning indicates possible hazards to the product or to other equipment.
<b>IMPORTANT</b>	Vital information or tips for the installer or operator.

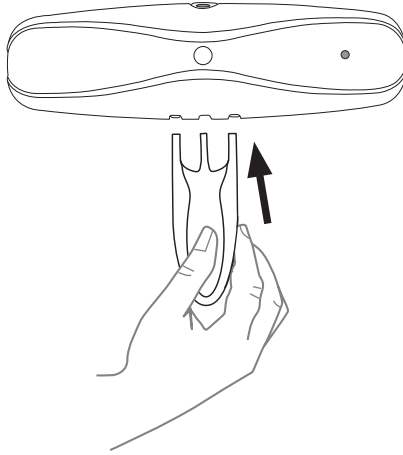
### General Safety Instructions

 <b>CAUTION</b>	<p><b>When installing any equipment, ensure that all national and local safety, electrical and plumbing codes are met.</b></p> <p><b>When using electrical appliances, basic safety precautions should always be followed.</b></p> <p><b>Always wear safety goggles to protect your eyes and wear other appropriate safety items for protection to avoid injury when drilling.</b></p>
--	--

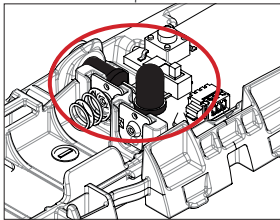
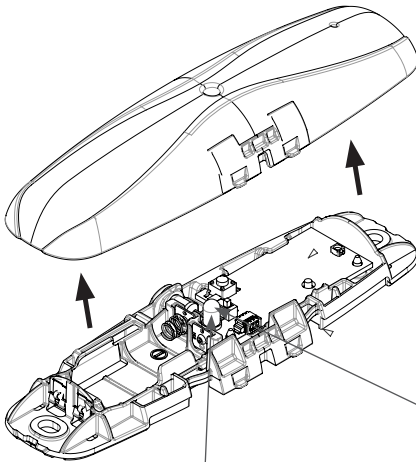
### IMPORTANT

- Do not mix old and new batteries. Always remove exhausted batteries and dispose safely.
- Americans with Disabilities Act: Title III of the Americans with Disabilities Act (ADA) governs, in detail, the placement and operation of dispensers. You should ensure that your mounting and use of dispensers complies with that law as well as the regulations issued under that statute. The mounting suggestions in this document may or may not fulfill the obligations of the ADA with respect to your facility.

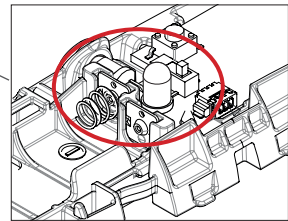
1.



2.



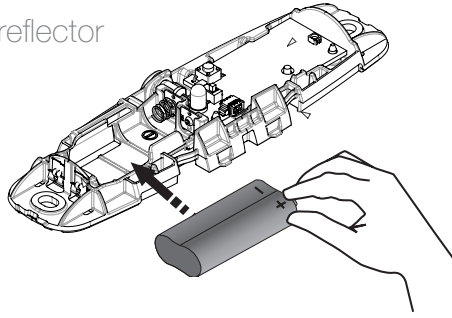
COUNTER hybrid main



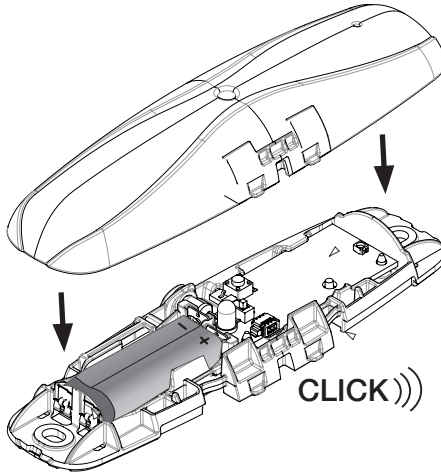
COUNTER hybrid reflector

### 3. COUNTER hybrid reflector

1 x  
3 Volt  
energyBOX S




### 4.

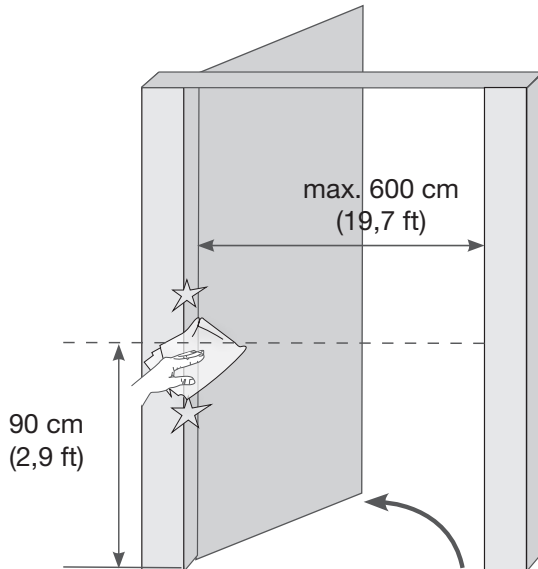


### 5.

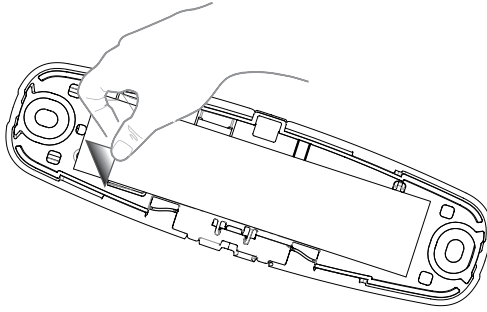
1 x



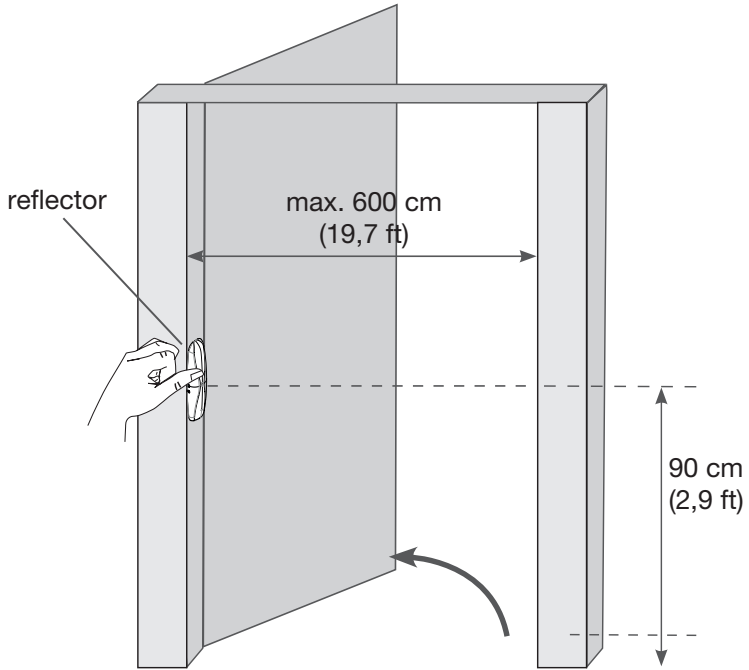
**IMPORTANT**  
Thoroughly clean and  
dry the surface before  
attaching



5.

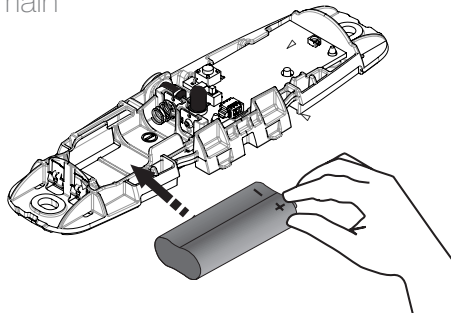


6.

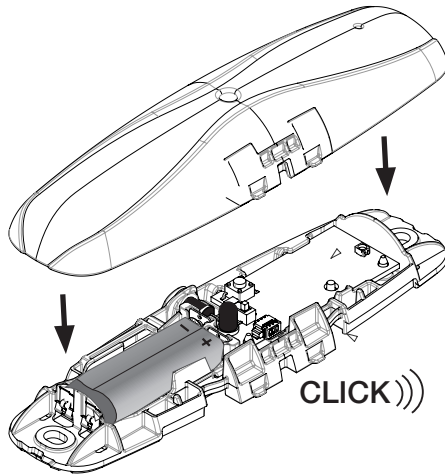


7. COUNTER hybrid main

1 x  
3 Volt  
energyBOX S



8.

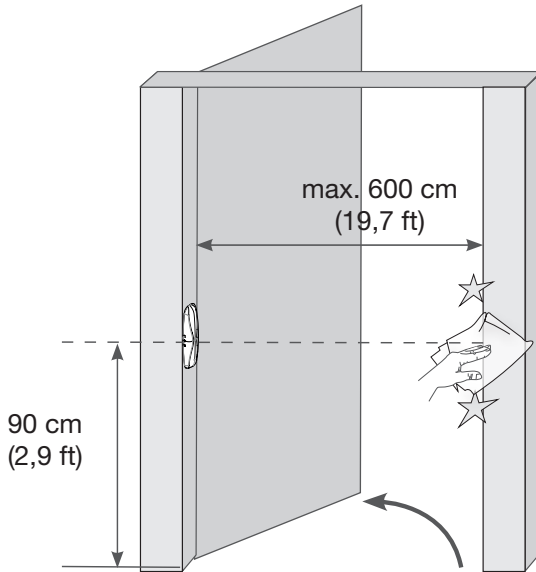


9.

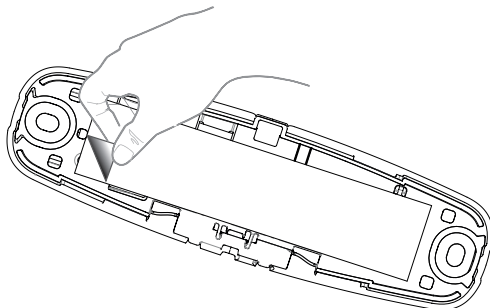


**IMPORTANT**

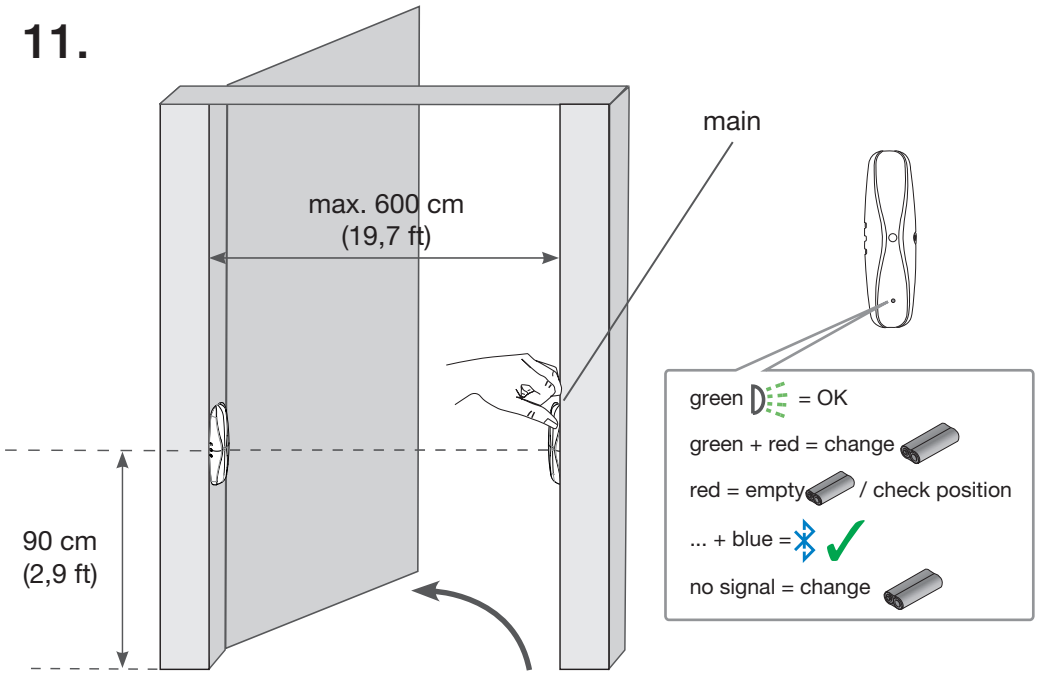
Thoroughly clean and dry the surface before attaching



10.



11.



### Option

change setting  
in app

