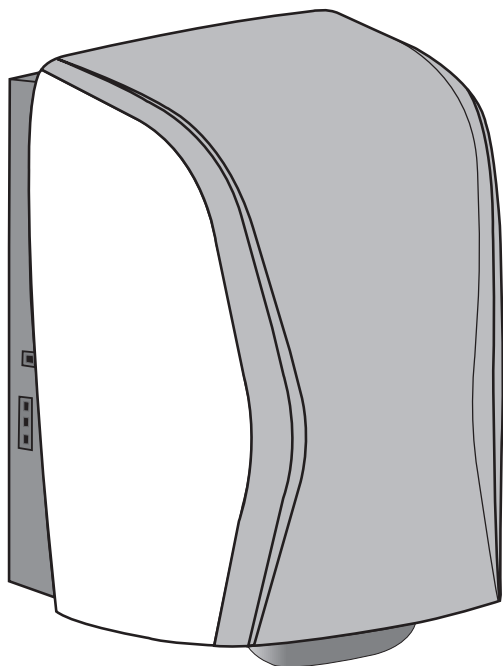
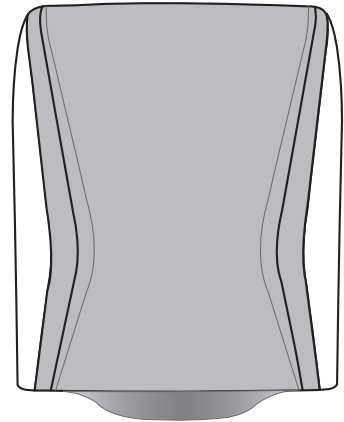
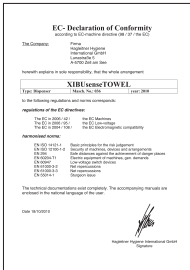
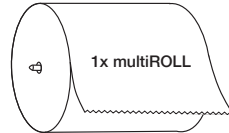
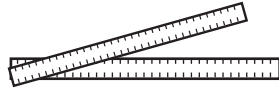
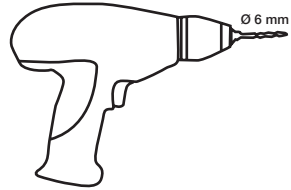
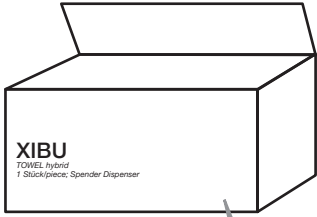


XIBU

TOWEL hybrid








FOR THE UNITED STATES ONLY

General Safety Information

The following symbols and headings are used throughout this manual to indicate possible hazards to persons or equipment. The symbols and headings are shown in order of importance. For efficient and safe operation, be sure to follow the installation and operating instructions provided in this manual. In particular, all safety symbols and notices must be followed.

 WARNING	Indicates a potentially hazardous situation which, if not avoided, could result in serious injury or death.
 CAUTION	Indicates a potentially hazardous situation which, if not avoided, could result in minor personal injury.
NOTICE	This safety warning indicates possible hazards to the product or to other equipment.
IMPORTANT	Vital information or tips for the installer or operator.

General Safety Instructions

 CAUTION	<p>When installing any equipment, ensure that all national and local safety, electrical and plumbing codes are met.</p> <p>When using electrical appliances, basic safety precautions should always be followed.</p> <p>Always wear safety goggles to protect your eyes and wear other appropriate safety items for protection to avoid injury when drilling.</p>
---	--

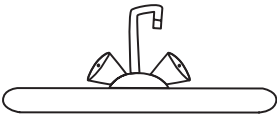
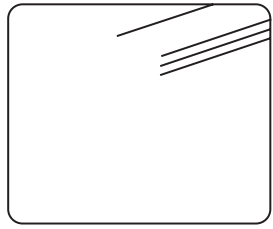
IMPORTANT

- Do not mix old and new batteries. Always remove exhausted batteries and dispose safely.
- Americans with Disabilities Act: Title III of the Americans with Disabilities Act (ADA) governs, in detail, the placement and operation of dispensers. You should ensure that your mounting and use of dispensers complies with that law as well as the regulations issued under that statute. The mounting suggestions in this document may or may not fulfill the obligations of the ADA with respect to your facility.

For HAGLEITNER senseMANAGEMENT devices only

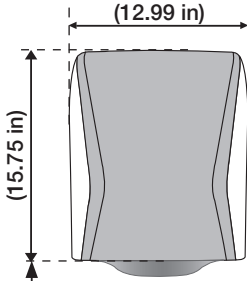
NOTE: This equipment has been tested and found to comply with the limits for a Class A digital device, pursuant to part 15 of the FCC Rules. These limits are designed to provide reasonable protection against harmful interference when the equipment is operated in a commercial environment. This equipment generates, uses, and can radiate radio frequency energy and, if not installed and used in accordance with the instruction manual, may cause harmful interference to radio communications. Operation of this equipment in a residential area is likely to cause harmful interference in which case the user will be required to correct the interference at his own expense.

1.

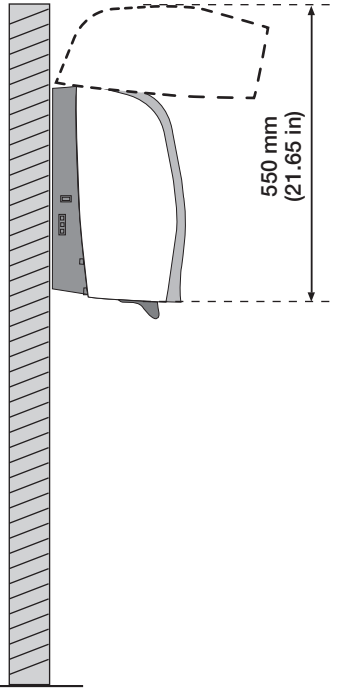


400 mm
(15.75 in)

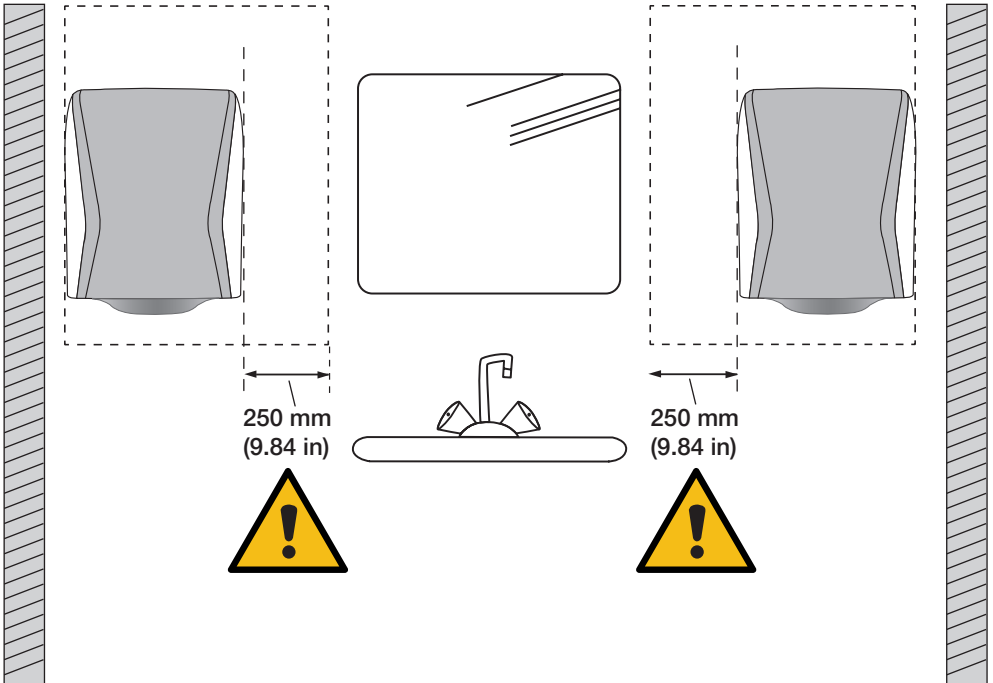
330 mm
(12.99 in)



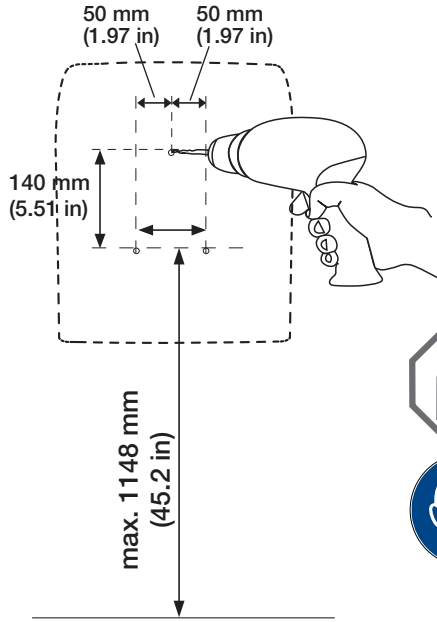
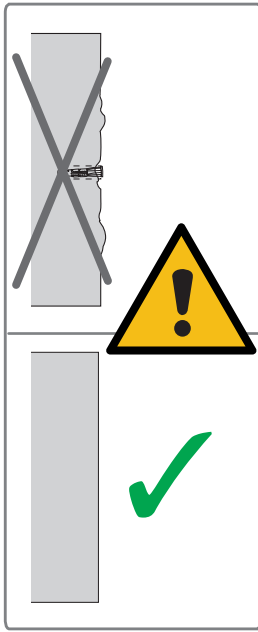
max. 1300 mm (51.18 in)



550 mm
(21.65 in)

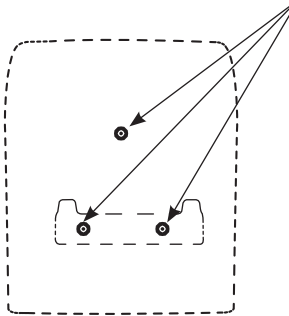
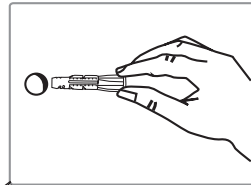


2.

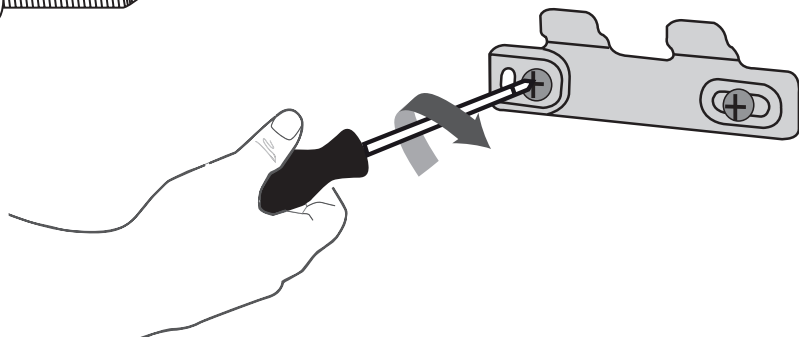


3.

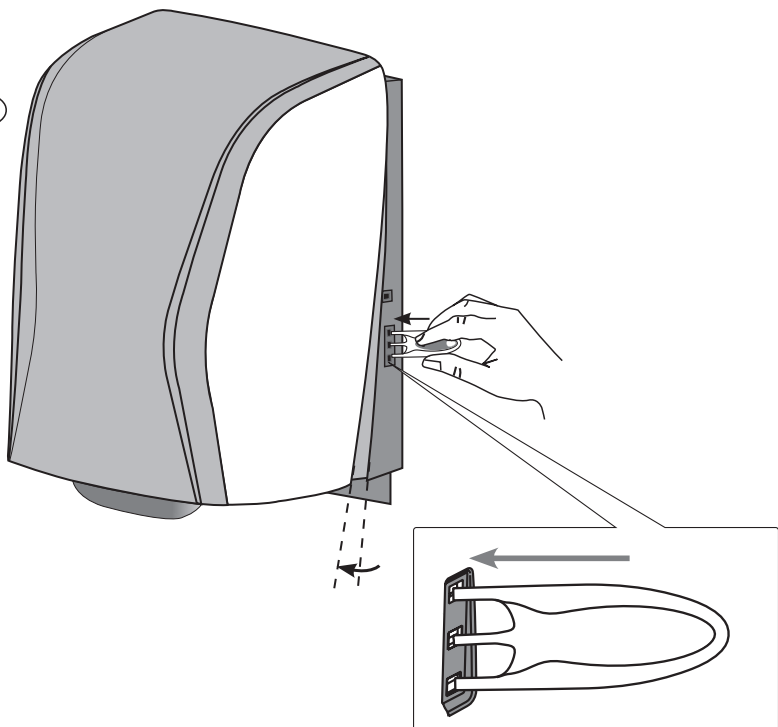
3 x



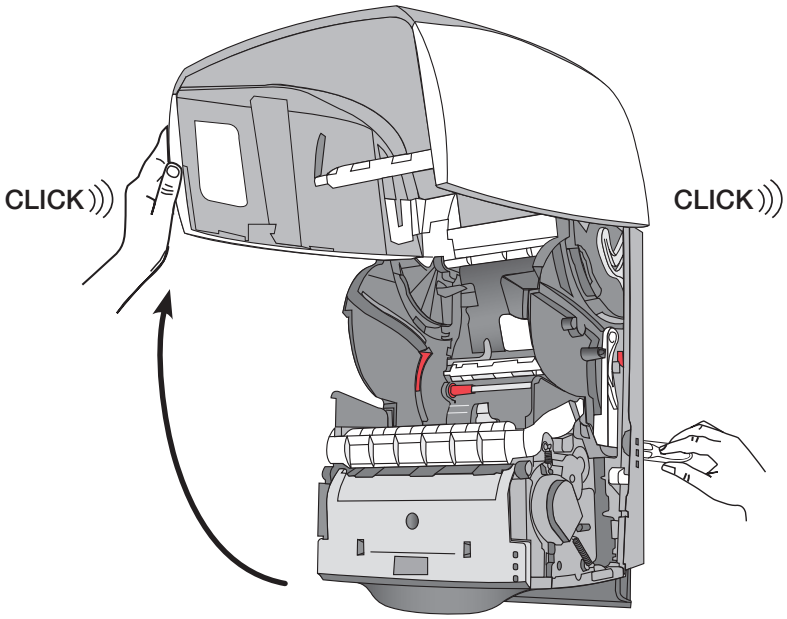
4.



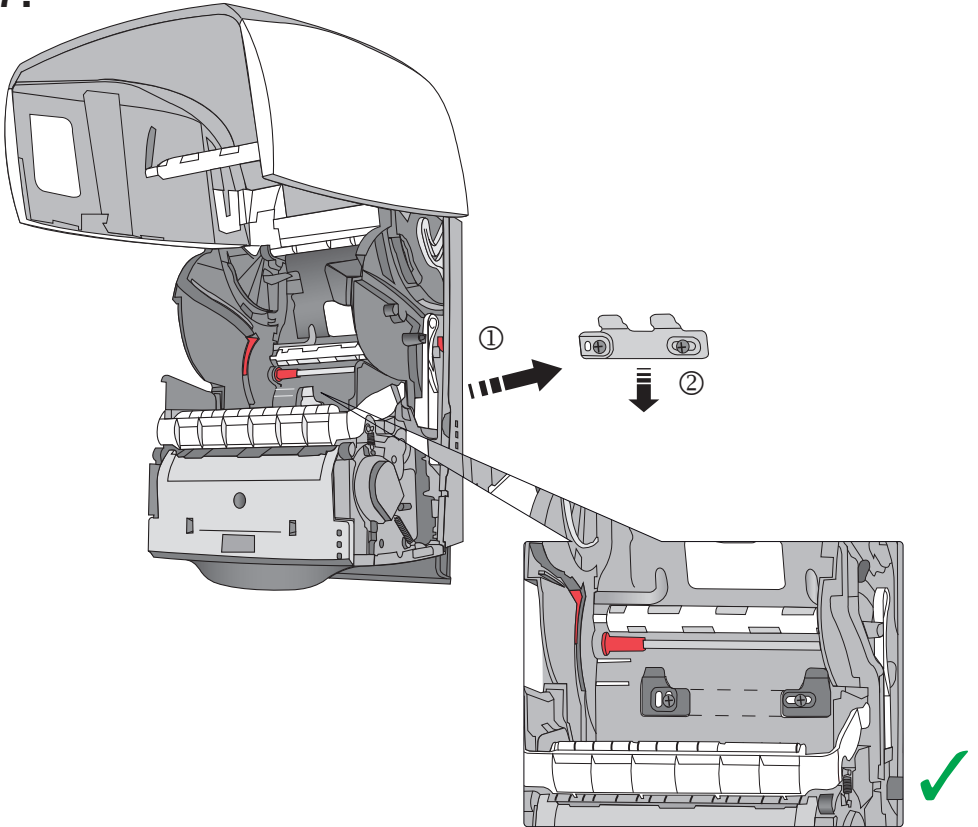
5.



6.



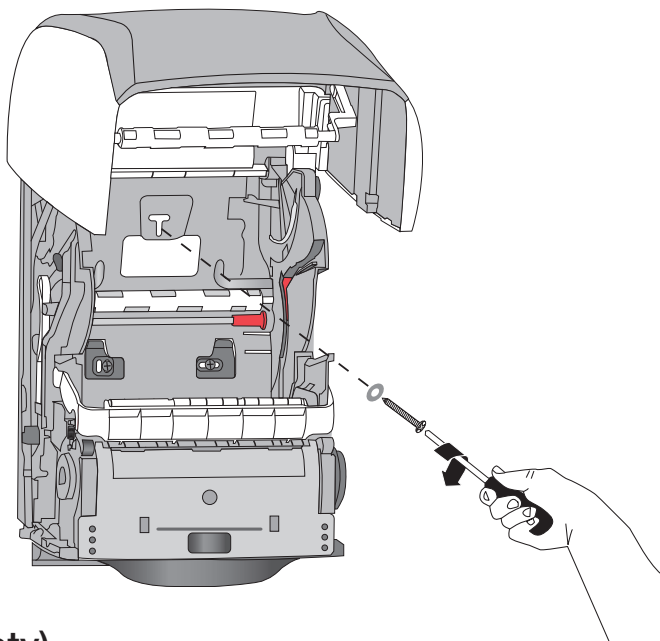
7.



8.

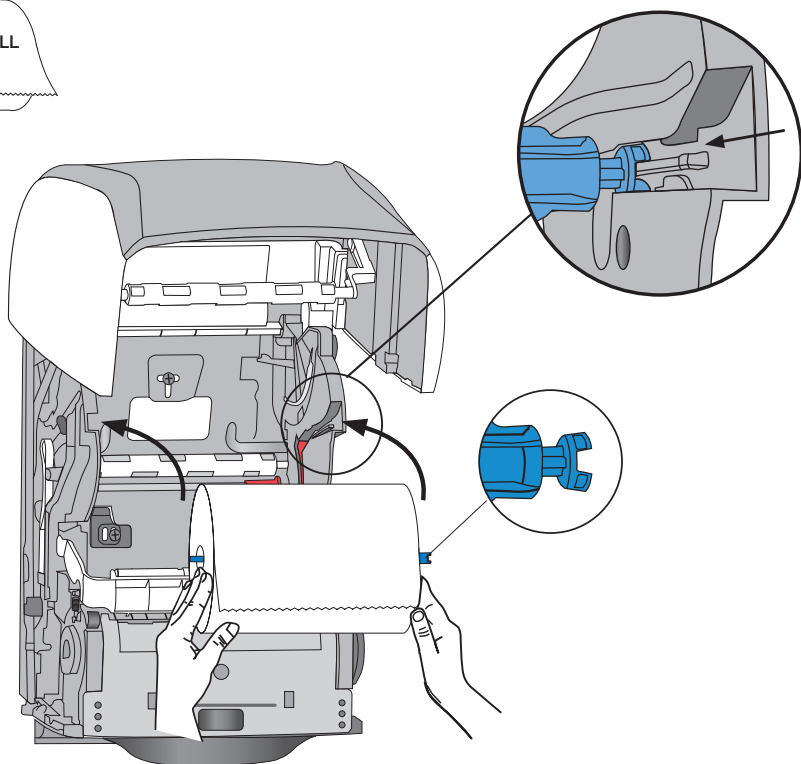
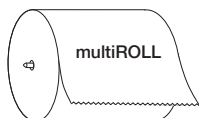
1 x 

1 x 

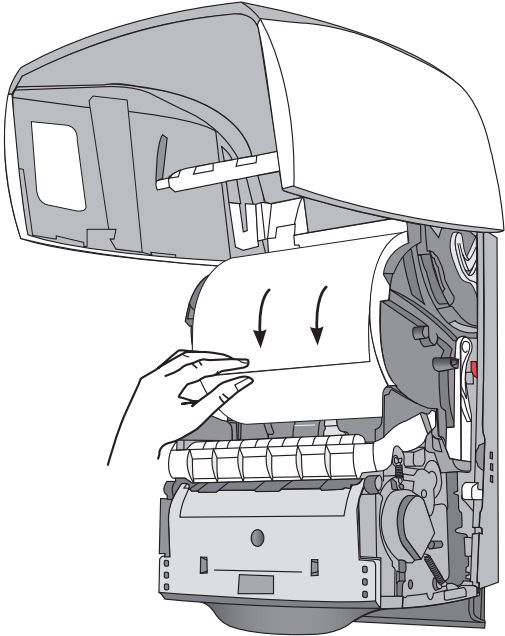


9. Filling (empty)

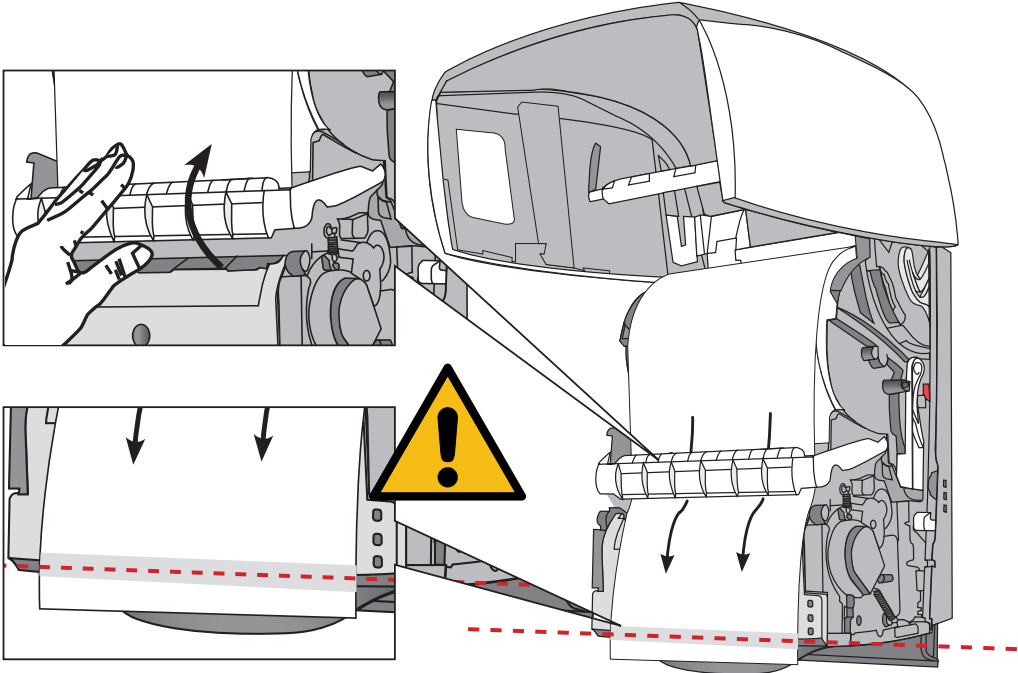
1 x



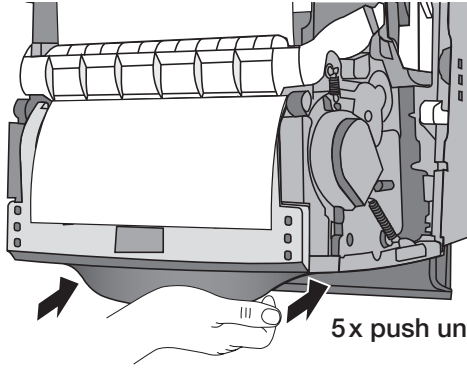
10.



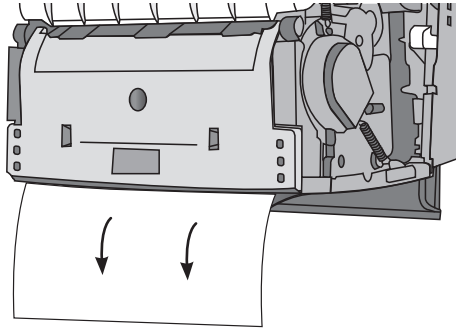
11.



12.



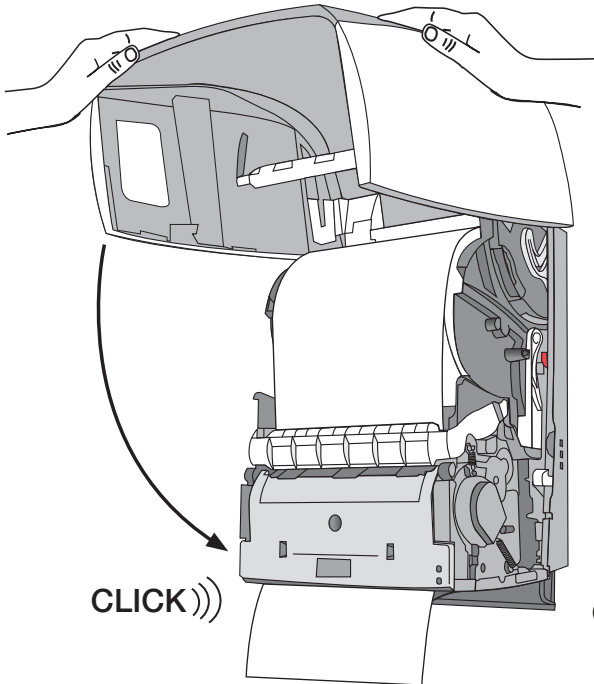
①



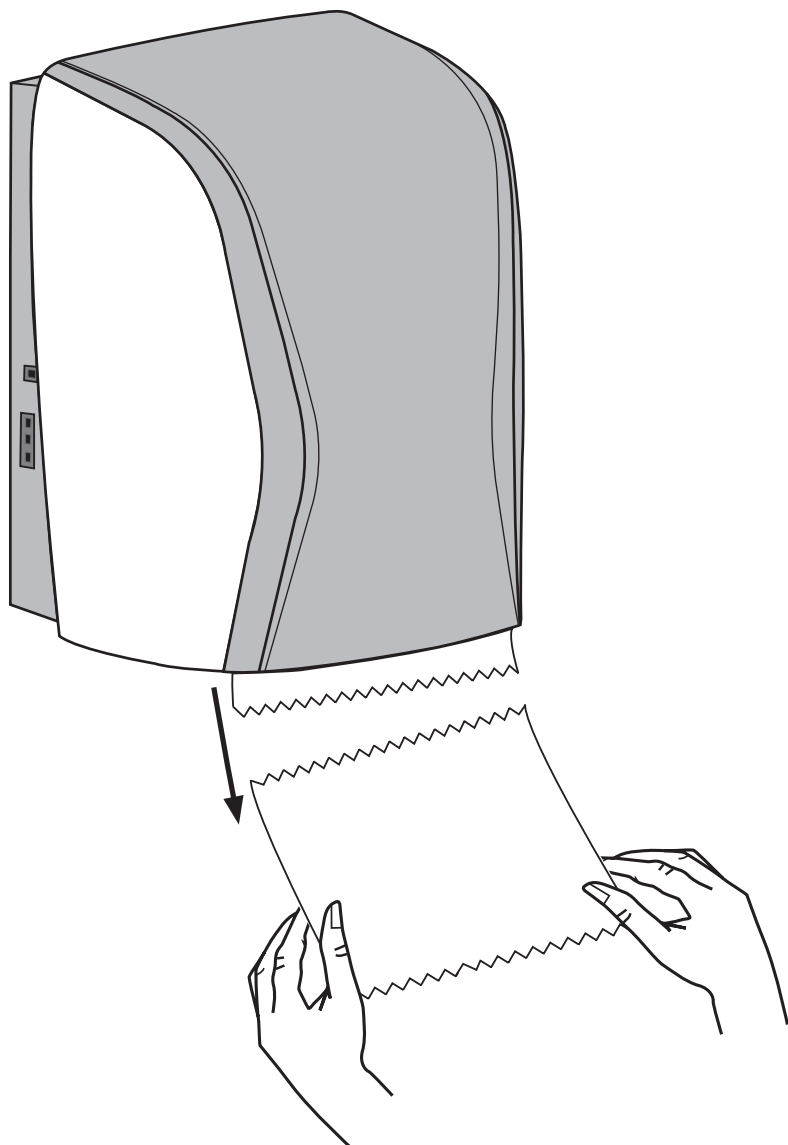
②



13.

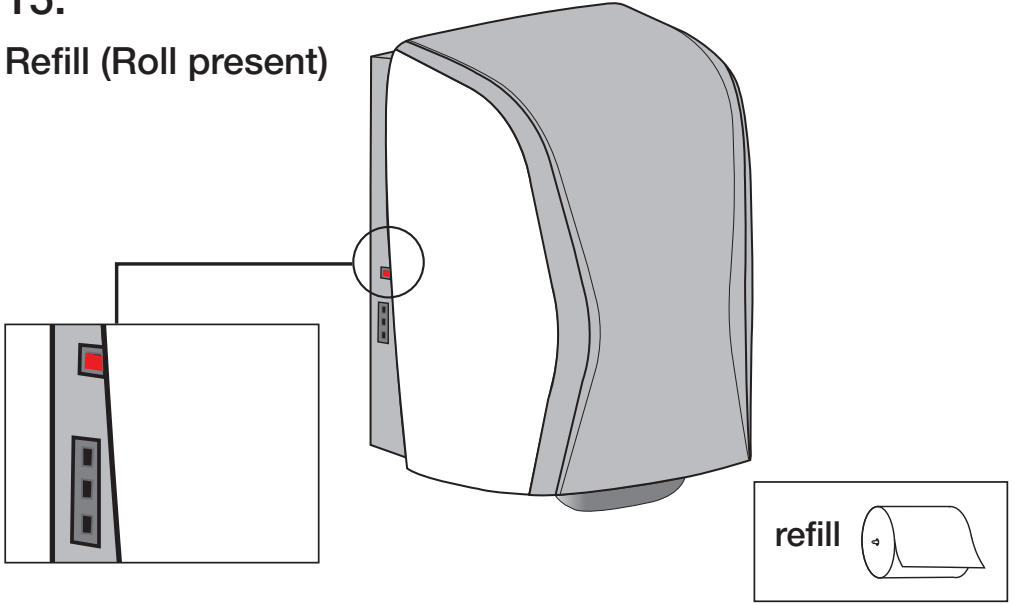


14.

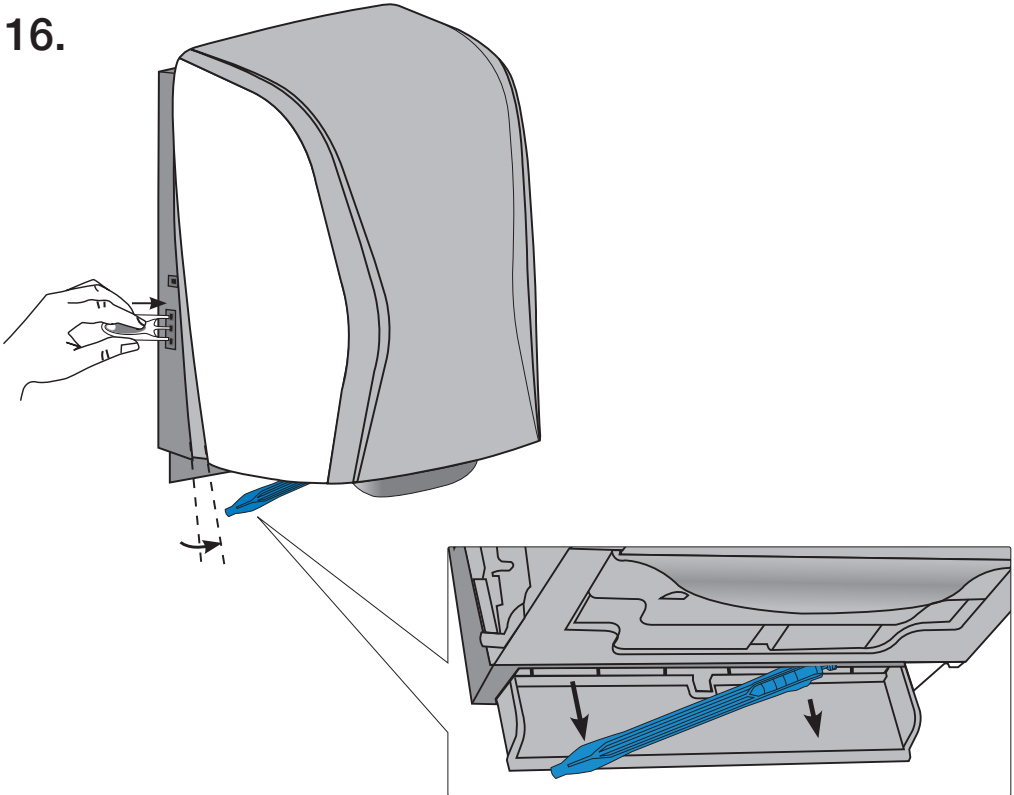


15.

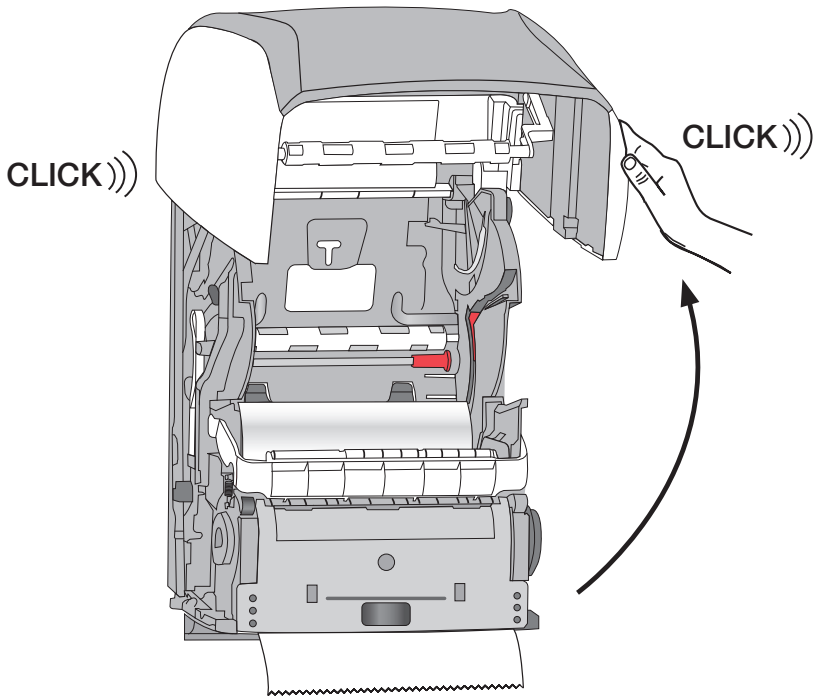
Refill (Roll present)



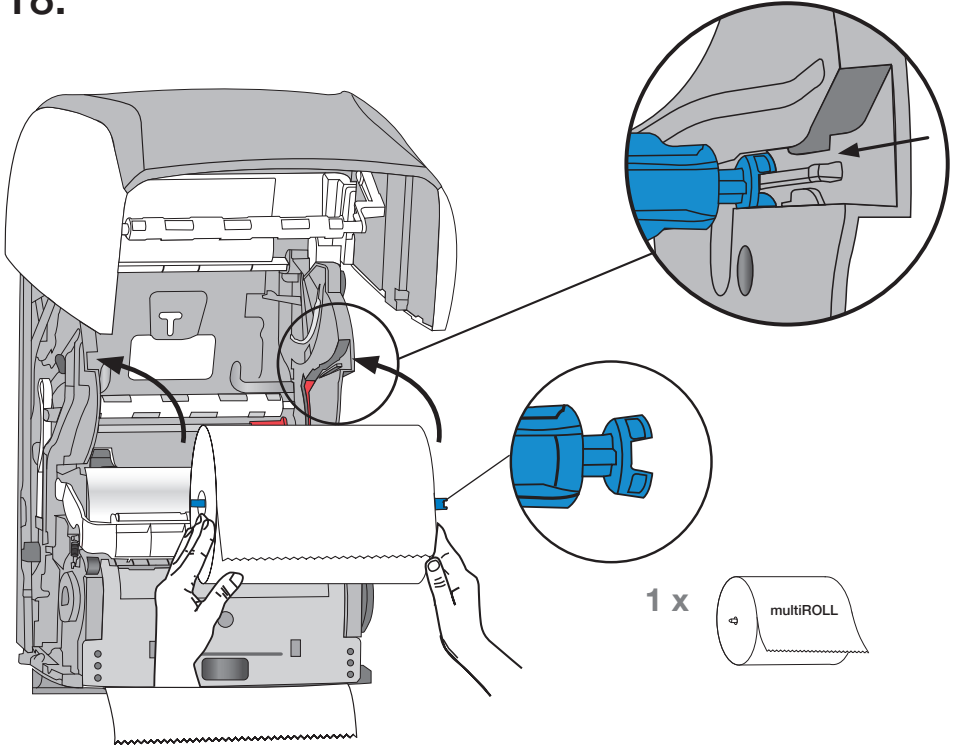
16.



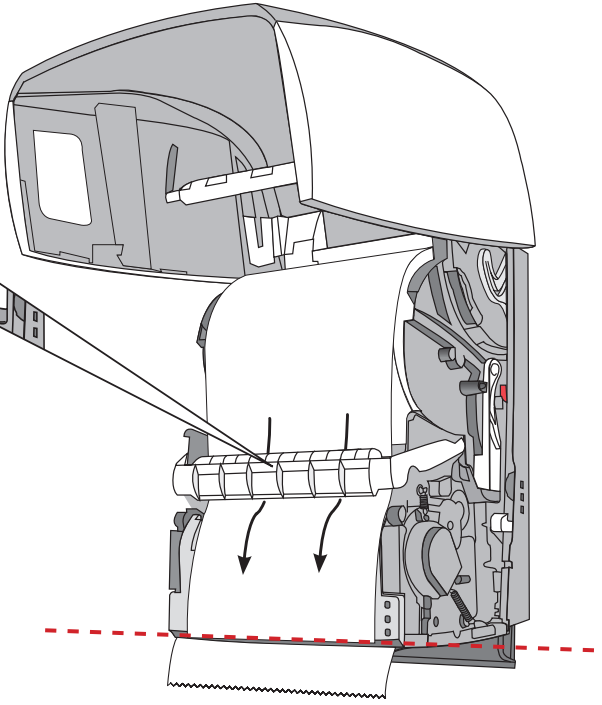
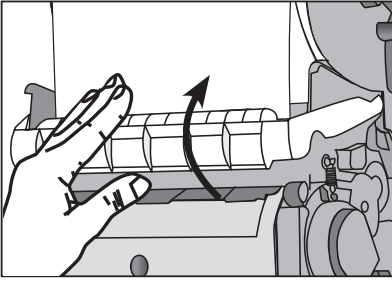
17.



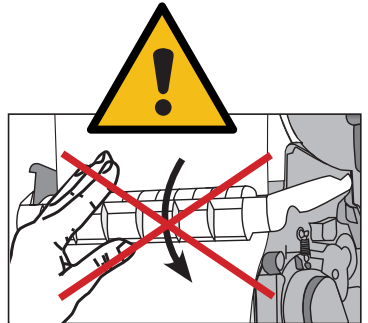
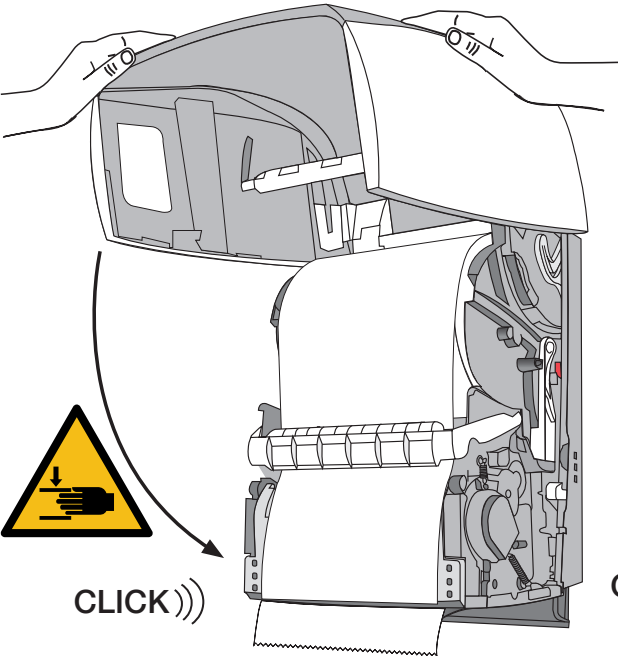
18.



19.

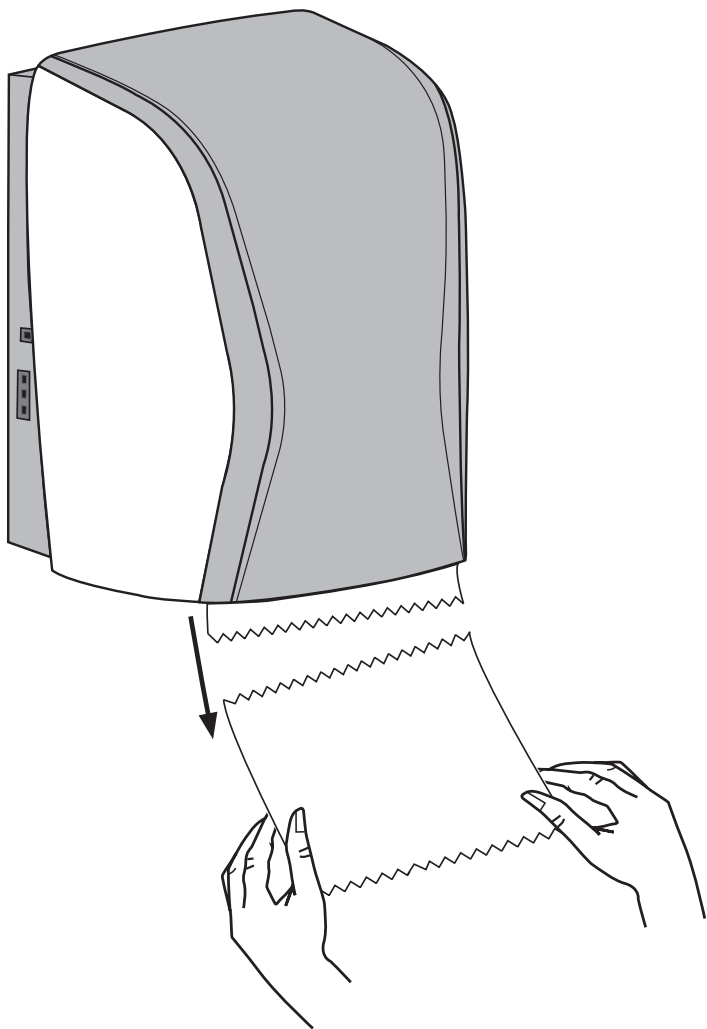


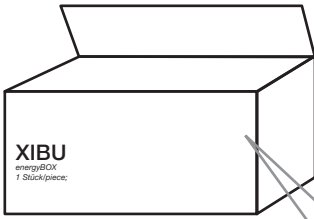
20.



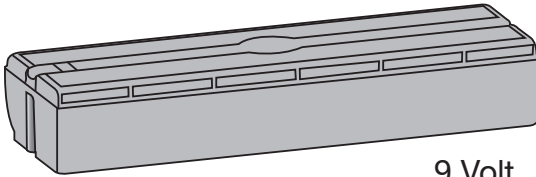
CLICK)))

21.





Option



9 Volt

energyBOX L
ArtNr. 411120810000

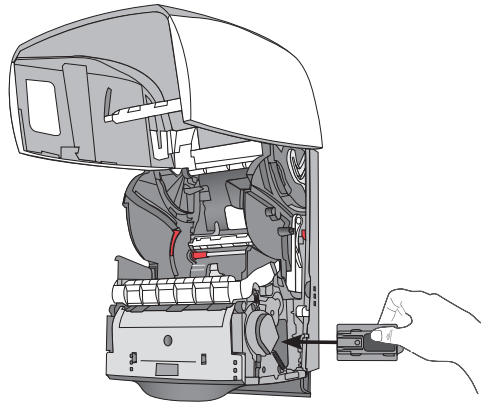
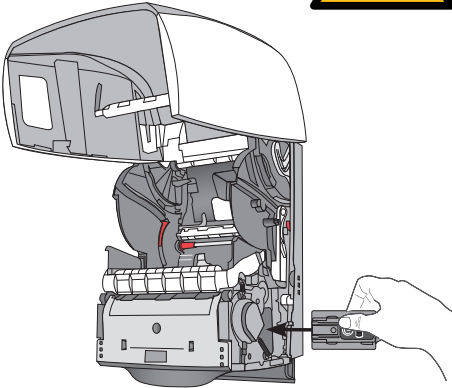


Option

rechargePOWER
hybrid



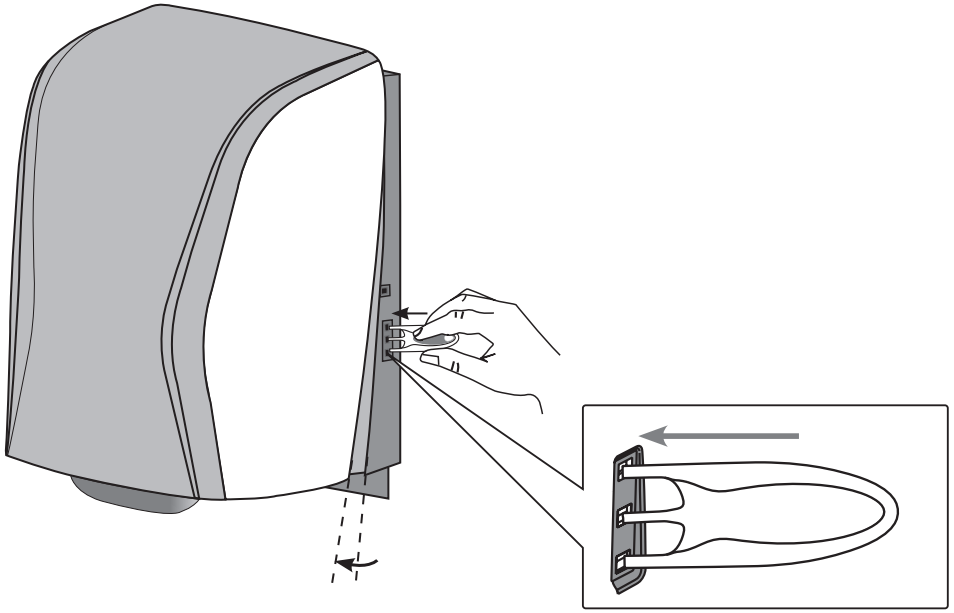
powerPACK ADAPTER
hybrid



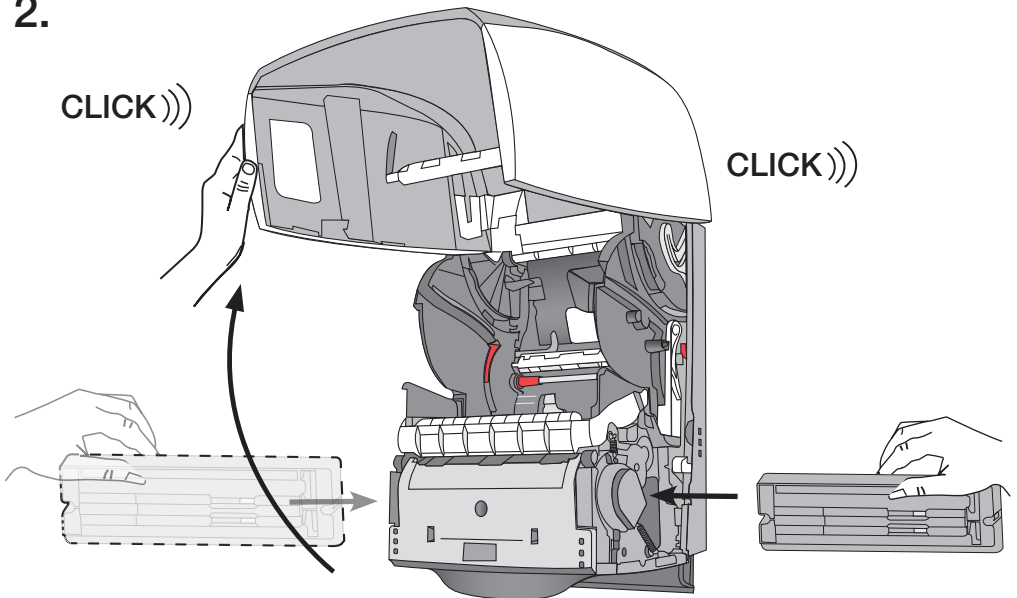
Please follow this link for further instructions:
https://cdn.hagleitner.com/fileadmin/user_upload/banleitung/20200622_BAL_powerSTATION_recharge.pdf

Please follow this link for further instructions:
https://cdn.hagleitner.com/fileadmin/user_upload/banleitung/20200622_BAL_powerPACK_ex_in_hybrid.pdf

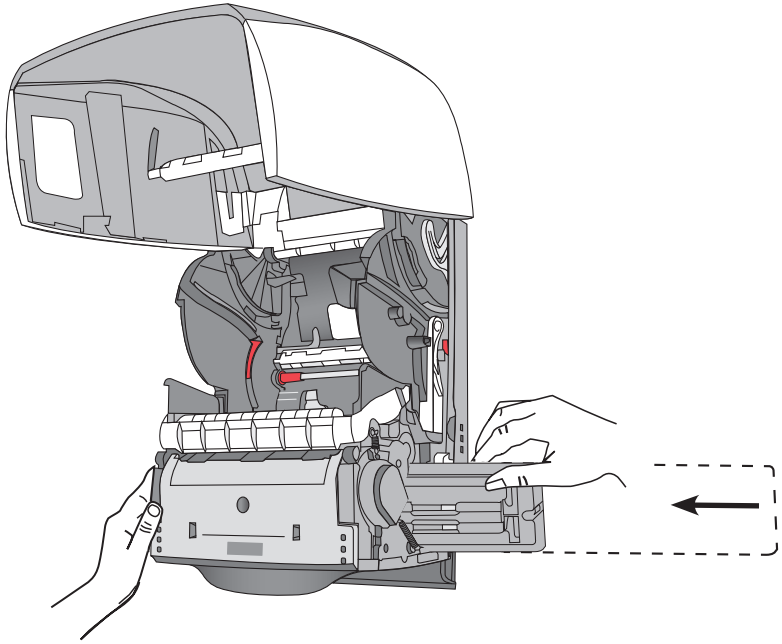
1. 1 x 



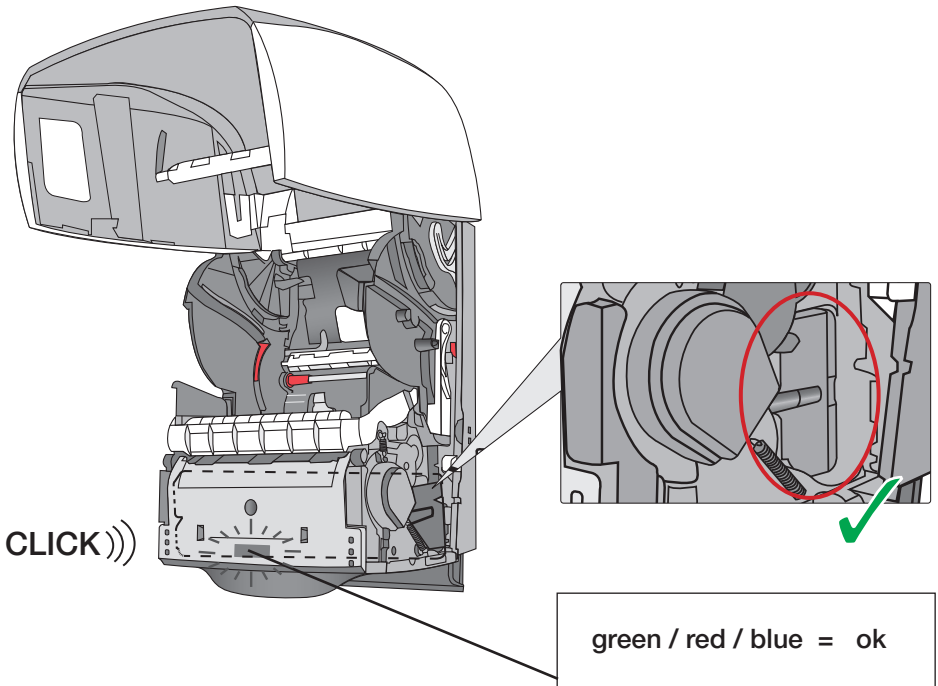
2.



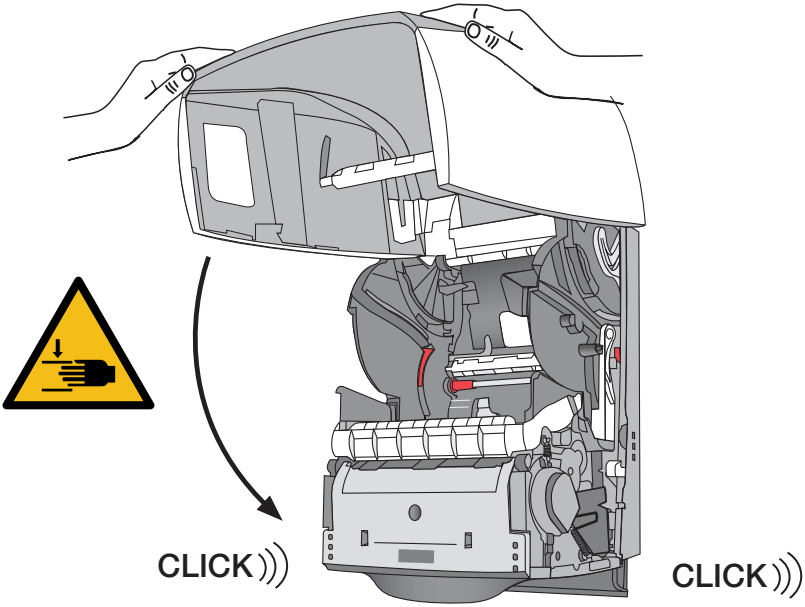
3.



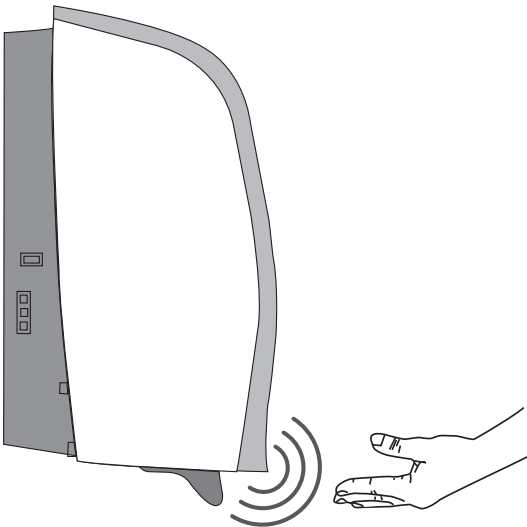
4.



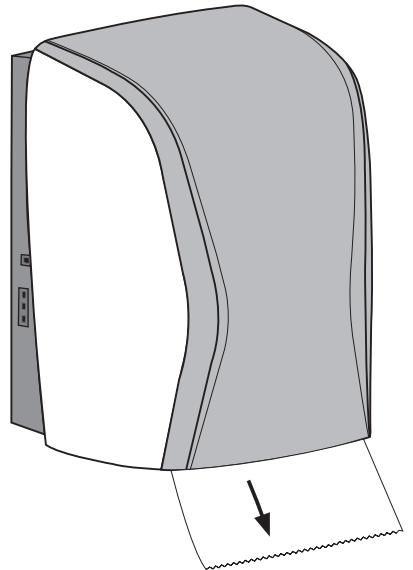
5.



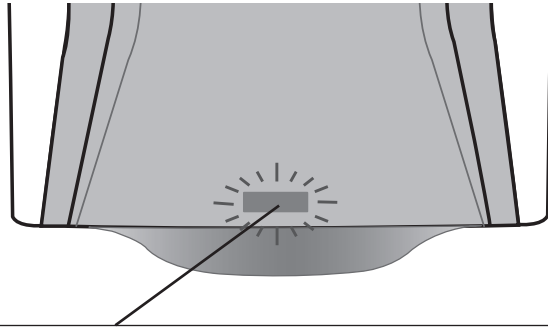
6.



7.



8.



green	= ok	
green + red	= refill	(15.) / low
red	= empty	/ empty / Error (Service)
... + blue	=	

WICHTIG / IMPORTANT

Nutzerregistrierung für Verbrauchseinstellungen
und Datenverfügbarkeit:

Aktivierung erforderlich!

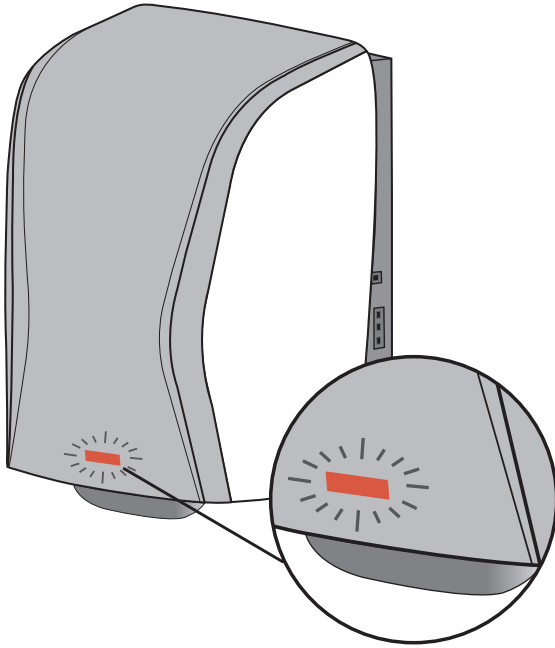
User registration for consumption settings and data availability:

Activation required!

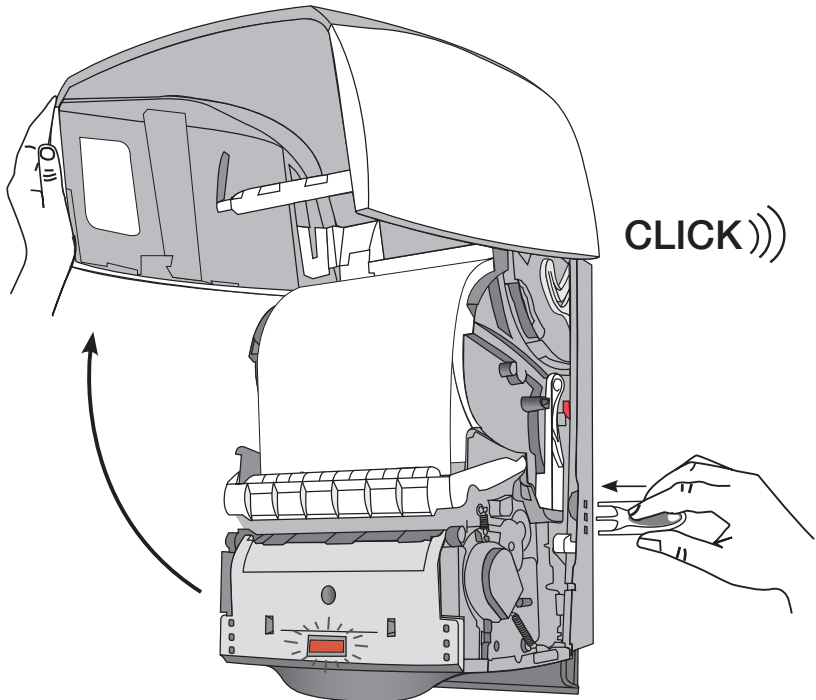


Service

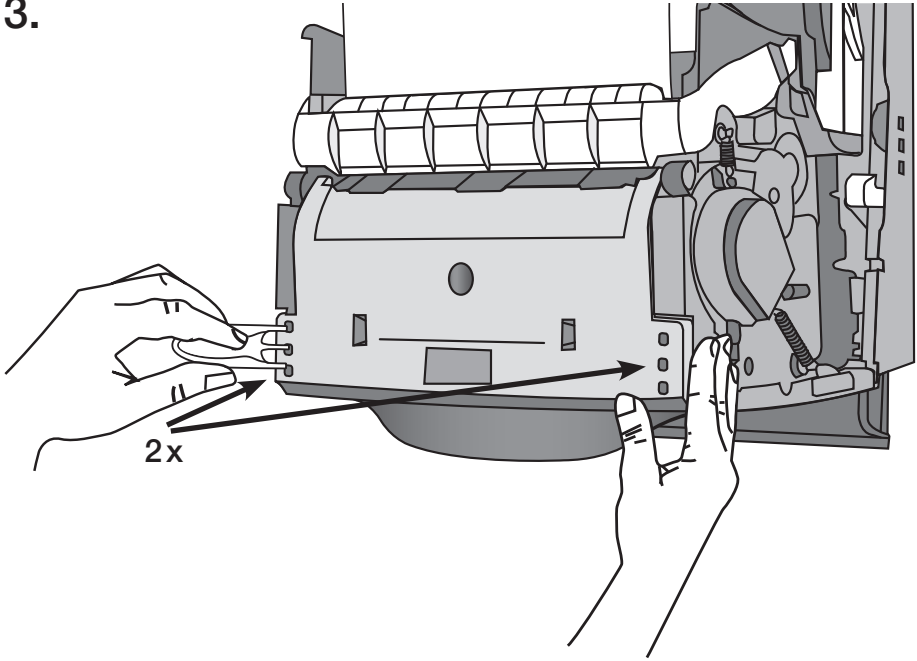
1.



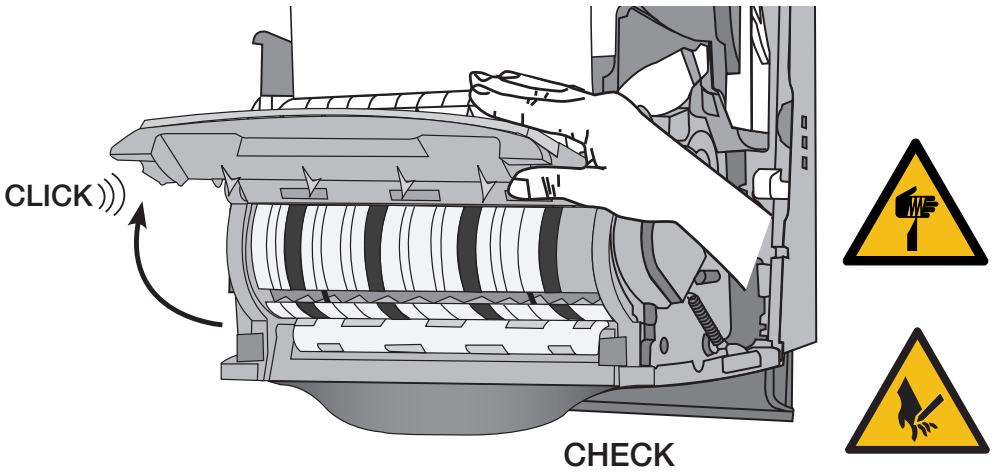
2.



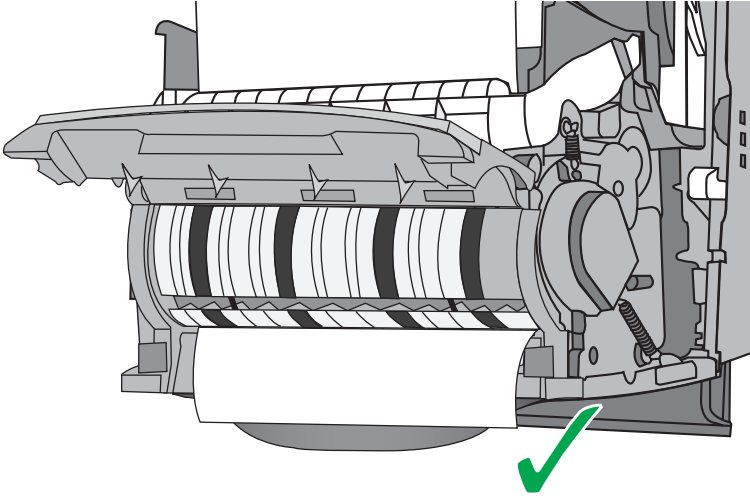
3.



4.



5.



6.

