



Aere™ hCG Tests



Rapid detection for early pregnancy



Aere™ hCG Cassette



Aere™ hCG Combo Cassette



Aere™ hCG Easy

Convenient testing solutions

The Alere™ line of hCG products provide rapid qualitative determination of human chorionic gonadotropin (hCG) in urine or serum for the early detection of pregnancy.

Alere™ hCG tests are designed to be suitable for laboratory and point of care testing. Whether in the emergency department, physician's office or health centre, our tests deliver fast, accurate results when you need them most.

- Clinically proven accuracy >99%*
- Simple to use, minimal training required
- Easy to read, rapid results
- Built-in procedural controls
- Variety of flexible testing formats: urine cassette, combo cassette or easy dipstick

Alere™ hCG Cassette

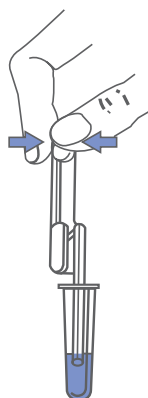
25 mIU/mL

Rapid, reliable results in minutes

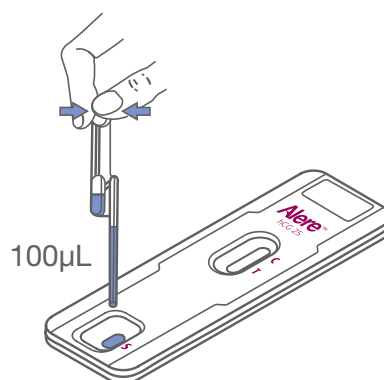
- Hygienic collection device for urine sample.
- Exact collection pipette – no need to count or measure drops.
- Rapid results in 3 to 4 minutes.
- Built in quality control.



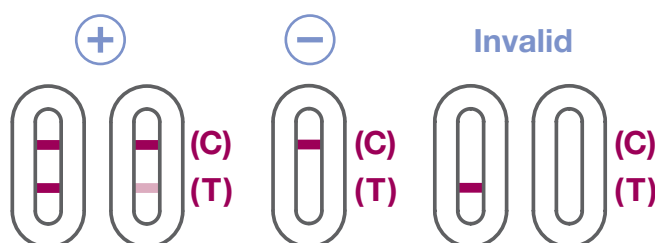
1 Use pipette device to collect exact urine sample.



2 Dispense the sample into sample well.



3 Read results 3-4 minutes after applying sample.



See pack insert for full instructions.

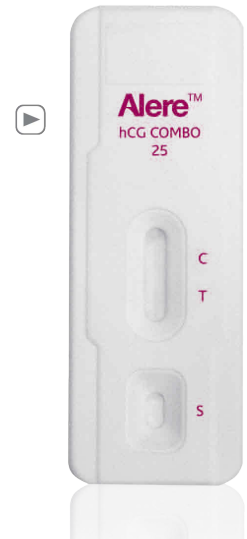
(C) Control Line Region **(T)** Test Line Region

Alere™ hCG Combo Cassette

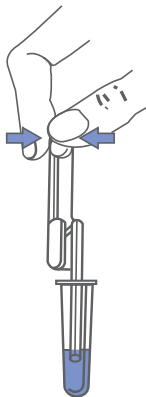
25 mIU/mL

Qualitative detection using serum or urine

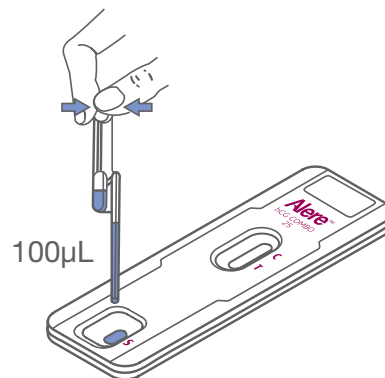
- Uses the type of patient sample available at the time of the test.
- Exact collection pipette - no need to count or measure drops.
- Consistent reliability with either sample type.
- Rapid results in just 3 minutes for urine samples and 5 minutes for serum samples.



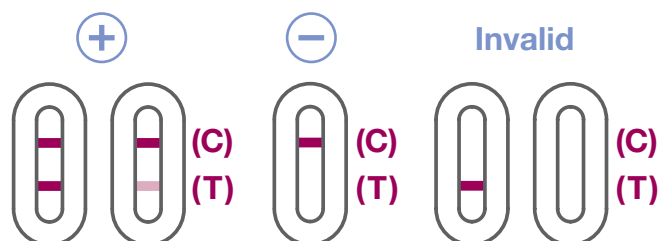
- 1** Use pipette device to collect exact sample.



- 2** Dispense the sample into sample well.



- 3** Wait either 3 minutes to read urine results or 5 minutes to read serum results.



See pack insert for full instructions.

(C) Control Line Region **(T)** Test Line Region

Alere™ hCG Easy

25 mIU/mL

Convenient testing process

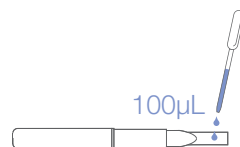
- Simple urine test that can be run in a variety of ways to suit your workflow:
 - Test can be dipped directly into sample collection cup and left to run for up to 10 minutes, enabling you to spend time with the patient.
 - Test can be dipped directly into sample collection cup for 15 seconds and then be read after 3 minutes.
 - Sample can be pipetted onto test for greater hygiene.
 - Test can be held directly in urine stream by patient for fast sample collection.
- Read results between 3 and 10 minutes.



Pipette:

Pipette 100µL onto absorbent paper. Place cap over absorbent paper. Wait 3 minutes to read results.

Sample collection



Read time



Dip and leave:

Dip absorbent paper so it is only half immersed. Leave for 3-10 minutes. Place cap over absorbent paper and read results immediately.



Rapid collection:

Fully immerse absorbent paper into urine and leave for 15 seconds. Place cap over absorbent paper. Wait 3 minutes to read results.

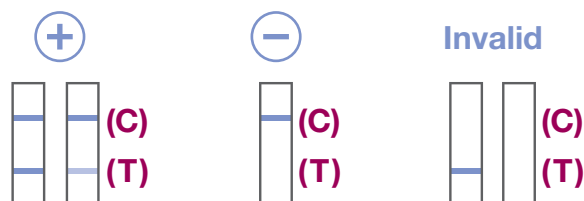


Urine stream:

Hold absorbent paper in urine stream for 3-7 seconds **only**. Place cap over absorbent paper. Wait 3 minutes to read results.



Blue control line must appear within **3 minutes** otherwise test must be repeated. Any result that appears after **10 minutes** should be ignored.



See pack insert for full instructions.

(C) Control Line Region **(T)** Test Line Region

Flexible. Rapid. Accurate.

| | Alere™ hCG Cassette | Alere™ hCG Combo Cassette | Alere™ hCG Easy |
|------------------------|----------------------------|------------------------------------|------------------------------------|
| Product Code | CV506788A | CV506760A | UPK009A |
| Kit size | 20 Tests | 40 Tests | 20 Tests |
| Sample type | Urine | Urine or Serum | Urine |
| Read time | 3-4 Minutes | 3 Minutes Urine 5 Minutes Serum | 3 Minutes, not after 10 Minutes |
| Shelf life | 24 Months | 24 Months | 36 Months |
| Storage | 2-30°C | | |
| Detection limit | 25mIU/mL | | |
| Sensitivity | >99% | | |

Alere™ hCG

Quality you can count on. Results you can trust.



Distributed by:
Alere International Limited
Parkmore East Business Park
Ballybrit, Galway,
Ireland
Tel: +353 (0) 91 429 900

alere.com

*Alere data on file.

© 2012 Alere. All rights reserved. The Alere Logo and Alere are trademarks of the Alere group of companies. 7000208E-01 03/14